



FS-C8520MFP

FS-C8525MFP

PARTS LIST

Published in March 2012
2MYPL070
842MY120
First Edition

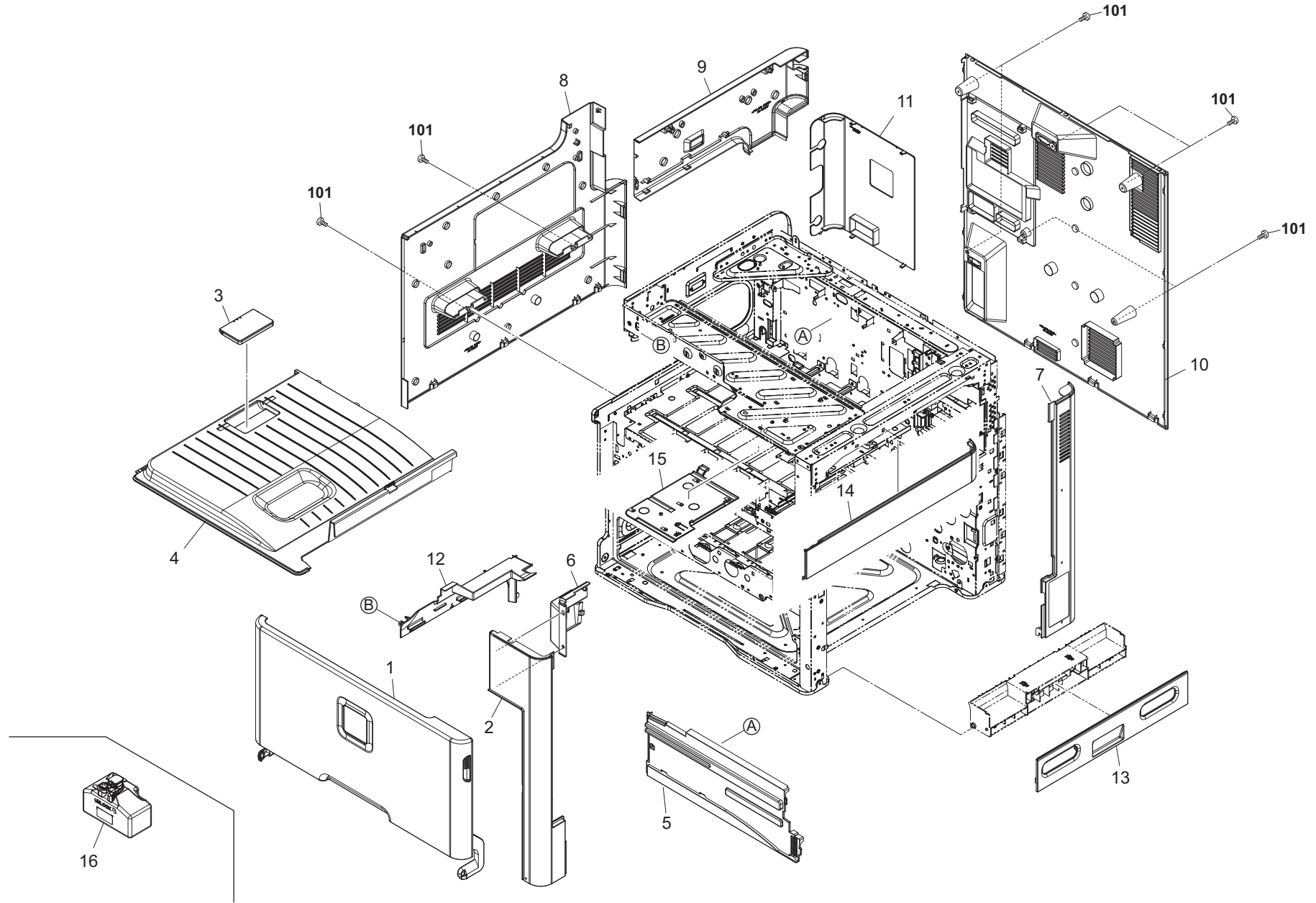


FIG. 1 Covers

2MZ/2MY

Ref. No.	Part.No.	Alternative.	Description	Notes	Quantity		
					120	230	240
1	302MZ94020	2MZ94020	PARTS COVER FRONT ASSY 20 E SP	20ppm		1	1
1	302MY94020	2MY94020	PARTS COVER FRONT ASSY 25 E SP	25ppm		1	1
1	302MZ94010	2MZ94010	PARTS COVER FRONT ASSY 20 J/A SP	20ppm	1		
1	302MY94010	2MY94010	PARTS COVER FRONT ASSY 25 J/A SP	25ppm	1		
2	302K004020	2K004020	COVER FRONT TOP		1	1	1
3	302H004560	2H004560	STOPPER PAPER		1	1	1
4	302K004031	2K004031	COVER TRAY		1	1	1
5	302K004040	2K004040	COVER EXIT REAR		1	1	1
6	302K004050	2K004050	COVER EXIT FRONT		1	1	1
7	302K004060	2K004060	COVER RIGHT REAR		1	1	1
8	302K004100	2K004100	COVER LEFT LOW		1	1	1
9	302K004110	2K004110	COVER LEFT TOP		1	1	1
10	302K094430	2K094430	PARTS COVER REAR ASSY E SP			1	1
10	302K094370	2K094370	PARTS COVER REAR ASSY SP		1		
11	302K004170	2K004170	LID CONTROLLER BOX		1	1	1
12	302K004180	2K004180	COVER TRAY LEFT		1	1	1
13	302K304070	2K304070	COVER RIGHT LOW		1	1	1
14	302K094380	2K094380	PARTS COVER RIGHT TOP ASSY SP		1	1	1
15	302K304290	2K304290	COVER EXIT FRONT TOP		1	1	1
16	302K093110	2K093110	WT-895		1	1	1
101	7BB702308H	BB107060	+TP-FLAT T.T S SCREW 3X8 SR				

•Parts with Ref.No. indicate maintenance parts and the ones without it indicate out of the above.

•Parts with "*" are component parts or sub-assemblies of the assembly appearing immediately above them.
 •Parts with "• •" are component parts or sub-assembly with "*" appearing immediately above them.

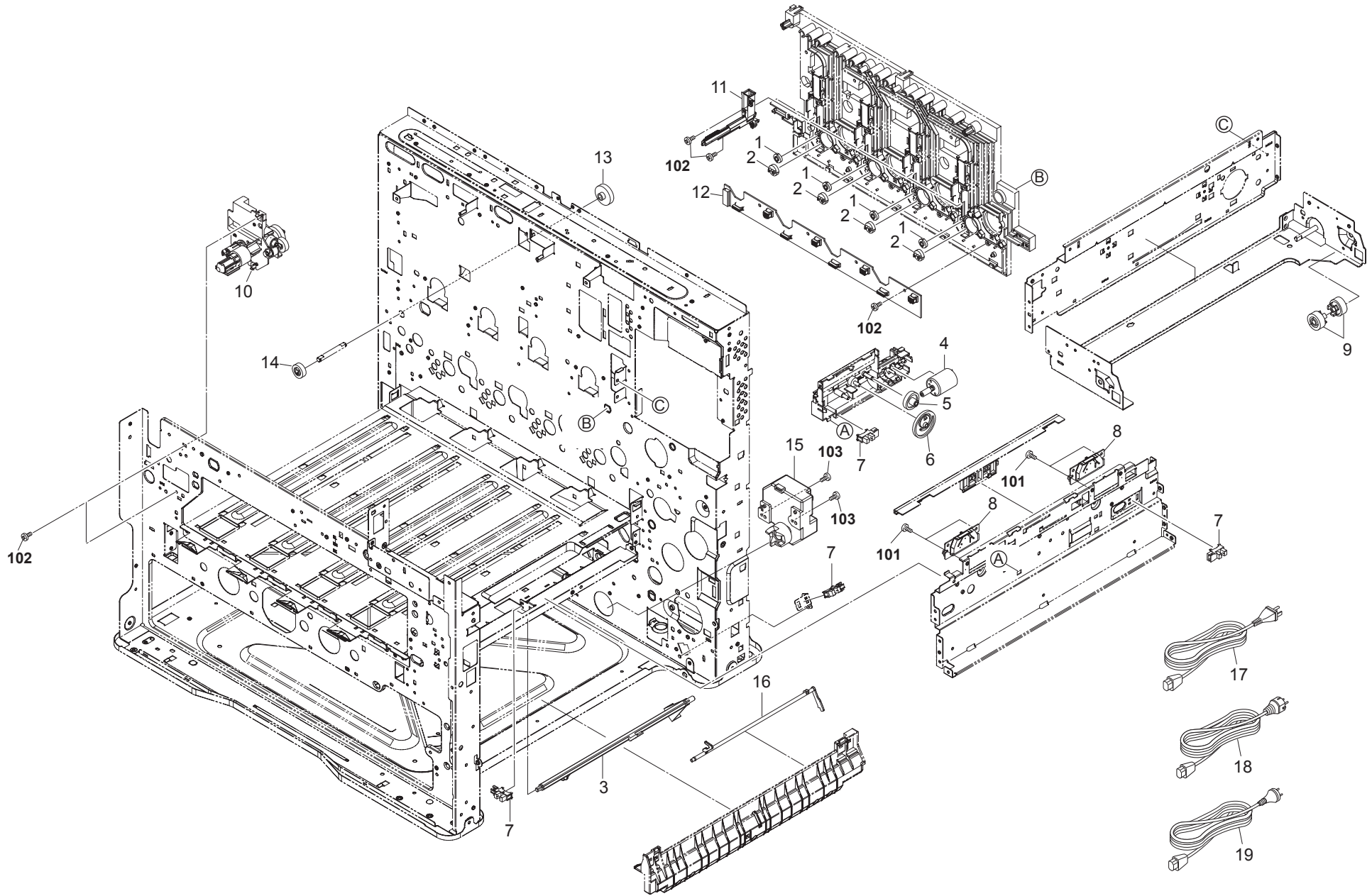


FIG. 2 Frames 1

2MZ/2MY

Ref. No.	Part.No.	Alternative.	Description	Notes	Quantity		
					120	230	240
1	302K015230	2K015230	GEAR IDLE Z22S		4	4	4
2	302K015240	2K015240	GEAR JOINT Z26S		4	4	4
3	302K002230	2K002230	ACTUATOR PAPER EMPTY		1	1	1
4	302K094100	2K094100	PARTS DC MOTOR SP		1	1	1
5	302K002880	2K002880	WORM-WHEEL ID SENSOR CLEANING		1	1	1
6	302K002890	2K002890	GEAR ID SENSOR CLEANING Z71R		1	1	1
7	7NXGP1S173LCH01	NX116910	SENSOR OPT.		4	4	4
8	302K094290	2K094290	PARTS ID SENSOR ASSY ASSY SP		2	2	2
9	302K026120	2K026120	GEAR IDLE Z20S		2	2	2
10	302K094041	2K094041	PARTS PIPE TRANSFER CLEANING ASSY SP		1	1	1
11	302K094050	2K094050	PARTS TONER SUPPLY ASSY SP		4	4	4
12	302K094180	2K094180	PARTS PWB DRUM DLP CONNECT ASSY SP		1	1	1
13	302K031720	2K031720	GEAR BELT CLEANING DRIVE Z30L		1	1	1
14	302K031740	2K031740	GEAR BELT CLEANING DRIVE Z20L		1	1	1
15	302K394190	2K394190	PARTS MOTOR LIFT ASSY SP		1	1	1
16	302K302830	2K302830	ACTUATOR DECK FEED		1	1	1
17	3019527401	19527401	POWER CORD(120)		1		
18	2AR27800	2AR27800	POWER CORD(230)				
19	7AAACCAS+10H001	AA063380	AC CORD ASSY AS			1	1
101	7BB700308H	BB105600	+BIND T.T S SCREW 3X8 SR				
102	7BB200308H	BB105660	+BIND T.T P SCREW 3X8				
103	7BB700312H	BB106820	+BIND T.T S SCREW 3X12 SR				

•Parts with Ref.No. indicate maintenance parts and the ones without it indicate out of the above.

•Parts with "*" are component parts or sub-assemblies of the assembly appearing immediately above them.
 •Parts with "* •" are component parts or sub-assembly with "*" appearing immediately above them.

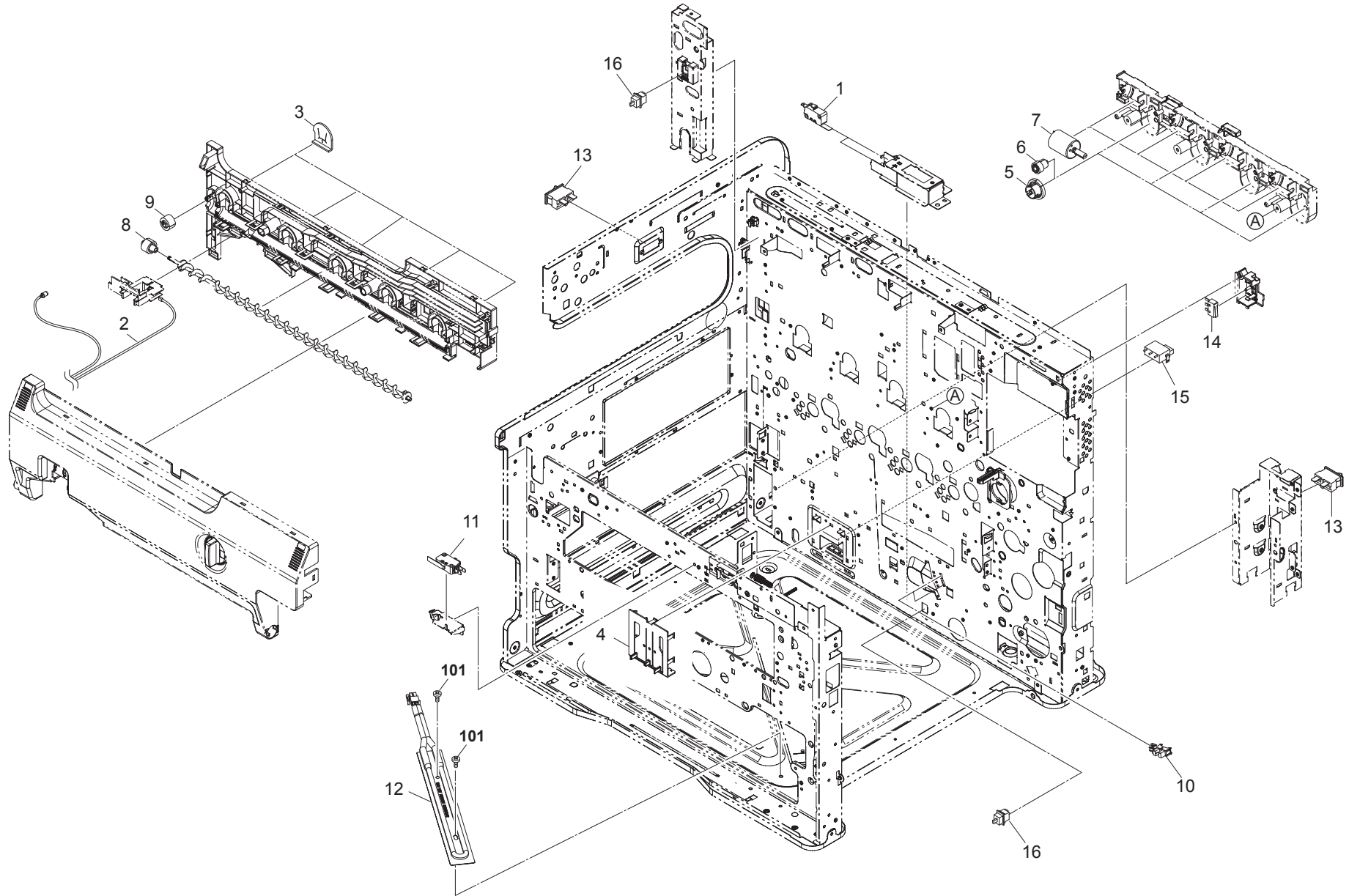


FIG. 3 Frames 2

2MZ/2MY

Ref. No.	Part.No.	Alternative.	Description	Notes	Quantity		
					120	230	240
1	2FB27160	2FB27160	INTER LOCK SWITCH		2	2	2
2	302K094280	2K094280	PARTS TONER FULL DETECT ASSY SP		1	1	1
3	302K003280	2K003280	SEAL CASE WASTE C		5	5	5
4	302K309410	2K309410	PLATE SIZE DETECTION		1	1	1
5	302K015040	2K015040	GEAR Z50S		4	4	4
6	302K015030	2K015030	GEAR Z20S-Z26L		4	4	4
7	302K094100	2K094100	PARTS DC MOTOR SP		4	4	4
8	302K003060	2K003060	GEAR SCREW WASTE Z13L		1	1	1
9	302K003110	2K003110	GEAR WASTE Z13L		1	1	1
10	7NXGP1S173LCH01	NX116910	SENSOR OPT.		2	2	2
11	7SM010303+++H01	SM037910	SW.MICRO		1	1	1
12	302K302430	2K302430	HEATER DEHUMIDIFIER 120		1		
12	302K302440	2K302440	HEATER DEHUMIDIFIER 240			1	1
13	7SC010105+++H01	SC125000	SW.SEESAW		2	2	2
14	7SM010101+++H01	SM042310	SW.MICRO		1	1	1
15	5ESP03090001+01	SP000360	PUSH SWITCH 03 SN /SW-192 N		1	1	1
16	7SP01000001+H01	SP044290	SW.PUSH		2	2	2
101	7BB700308H	BB105600	+BIND T.T S SCREW 3X8 SR				

•Parts with Ref.No. indicate maintenance parts and the ones without it indicate out of the above.

•Parts with "*" are component parts or sub-assemblies of the assembly appearing immediately above them.
 •Parts with "•" are component parts or sub-assembly with "*" appearing immediately above them.

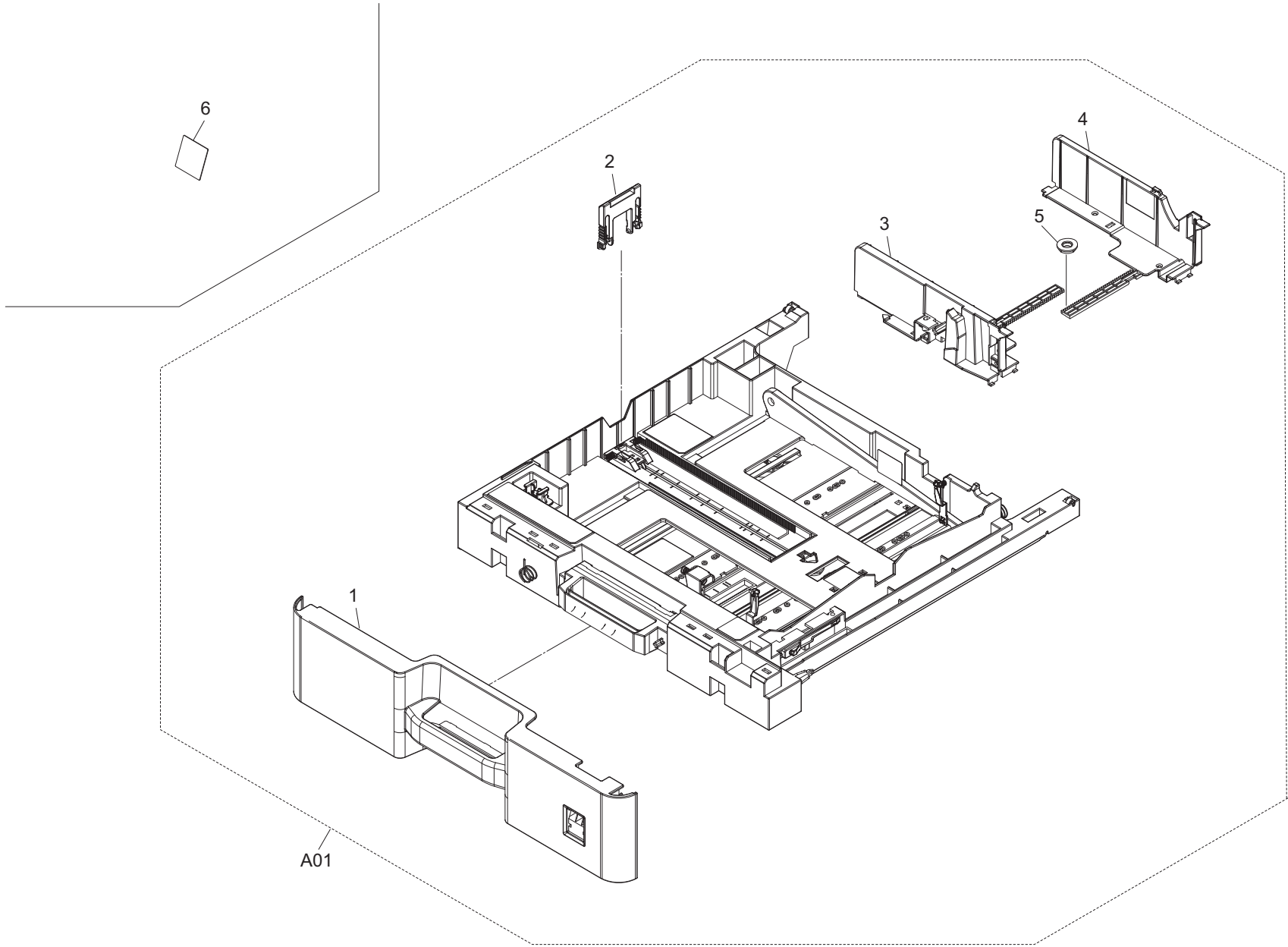


FIG. 4 Paper Cassette

2MZ/2MY

Ref. No.	Part.No.	Alternative.	Description	Notes	Quantity		
					120	230	240
A01	302K393173	2K393173	CT-475		1	1	1
1	*302K309080	2K309080	COVER CASSETTE		1	1	1
2	*302K309270	2K309270	CURSOR END		1	1	1
3	*302K309130	2K309130	CURSOR CASSETTE FRONT		1	1	1
4	*302K309120	2K309120	CURSOR CASSETTE REAR		1	1	1
5	*302K394380	2K394380	PARTS GEAR Z18 SP		1	1	1
6	302K334090	2K334090	SHEET CASSETTE C			1	1
6	302K334100	2K334100	SHEET CASSETTE I		1		

•Parts with Ref.No. indicate maintenance parts and the ones without it indicate out of the above.

•Parts with "-" are component parts or sub-assemblies of the assembly appearing immediately above them.
 •Parts with "•" are component parts or sub-assembly with "•" appearing immediately above them.

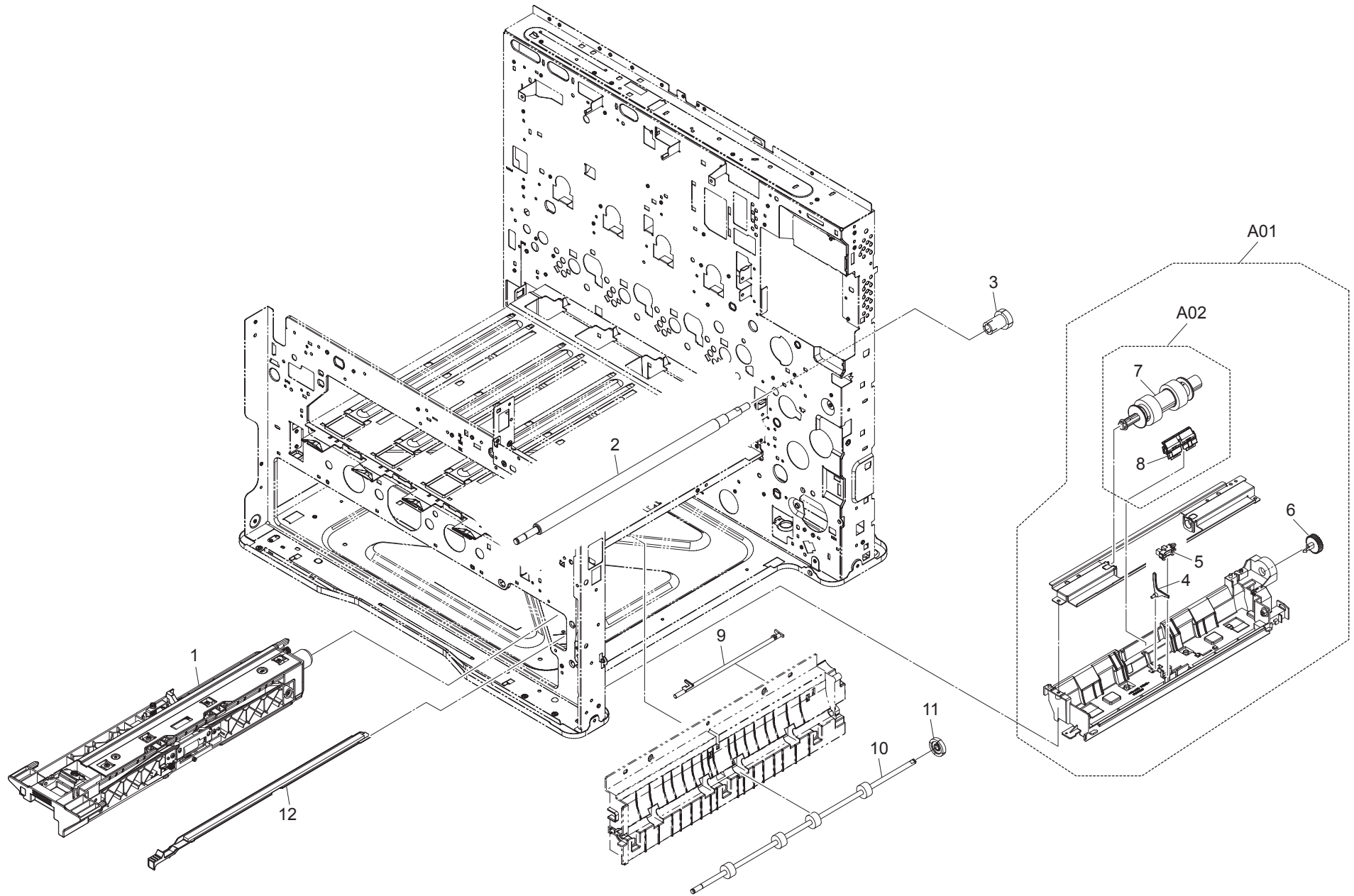


FIG. 5 Paper Feed Section

2MZ/2MY

Ref. No.	Part.No.	Alternative.	Description	Notes	Quantity		
					120	230	240
1	302K394480	2K394480	PRIMARY FEED UNIT		1	1	1
2	302K394230	2K394230	PARTS ROLLER REGIST LEFT SP		1	1	1
3	302K394310	2K394310	PARTS GEAR REGIST Z28L-Z18L SP		1	1	1
A01	302K394501	2K394501	PARTS MPF UNIT		1	1	1
4	*302K308020	2K308020	ACTUATOR MPF		1	1	1
5	*7NXGP1S173LCH01	NX116910	SENSOR OPT.		1	1	1
6	*302K394320	2K394320	PARTS GEAR MPF Z28 SP		1	1	1
A02	*302K394621	2K394621	MPF ROLLER-PAD SET		1	1	1
7	**302K394460	2K394460	MPF ROLLER	for customer	1	1	1
8	**302K394491	2K394491	SEPARATION PAD	for customer	1	1	1
9	302K306140	2K306140	ACTUATOR REGIST	service only	1	1	1
10	302K094330	2K094330	PARTS ROLLER MIDDLE SP		1	1	1
11	302HS31120	2HS31120	GEAR Z27L CLUTCH		1	1	1
12	302K094400	2K094400	REGIST CLEANER		1	1	1

•Parts with Ref.No. indicate maintenance parts and the ones without it indicate out of the above.

•Parts with "*" are component parts or sub-assemblies of the assembly appearing immediately above them.
 •Parts with "* •" are component parts or sub-assembly with "*" appearing immediately above them.

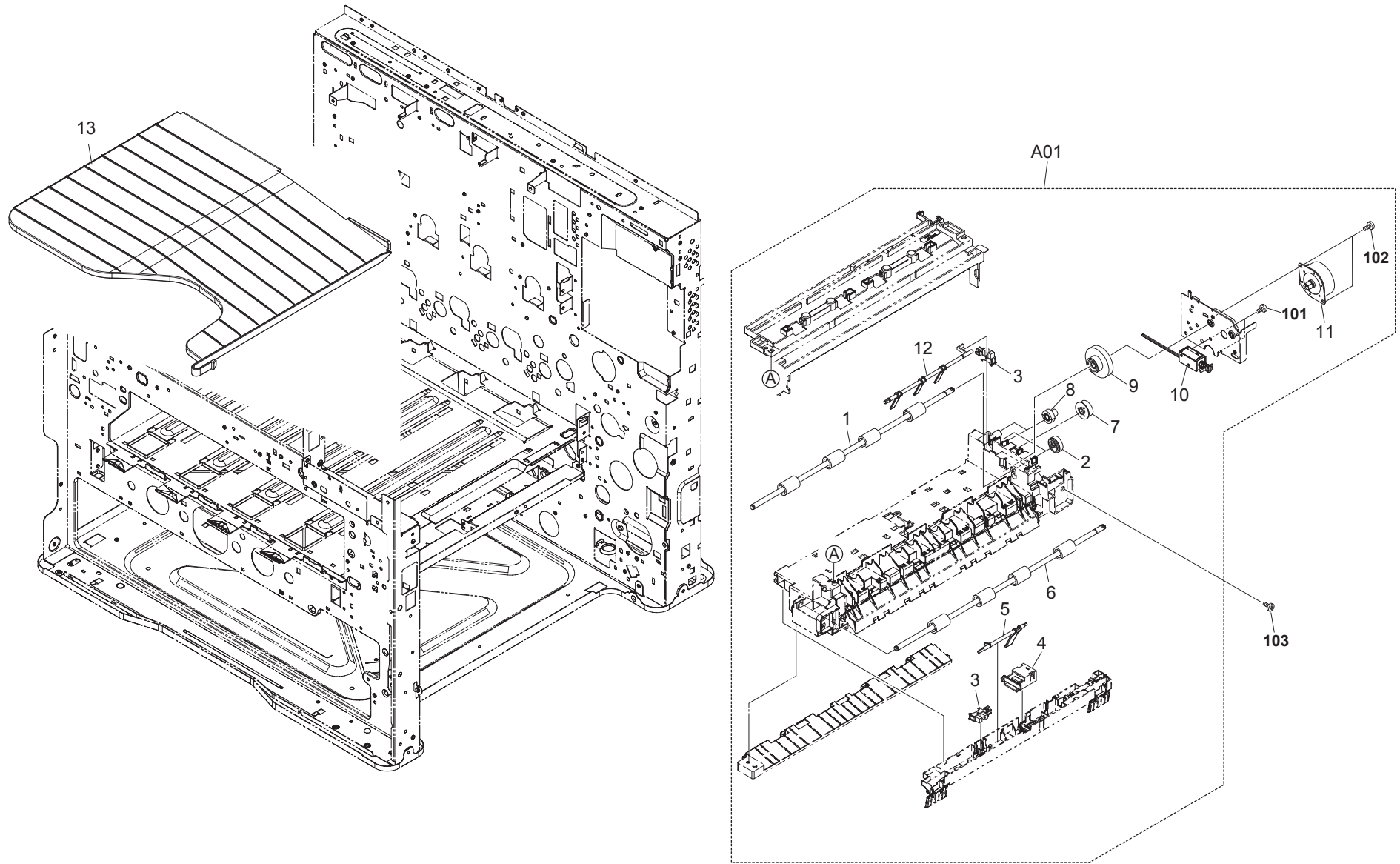


FIG. 6 Exit Section

2MZ/2MY

Ref. No.	Part.No.	Alternative.	Description	Notes	Quantity		
					120	230	240
A01	302K094010	2K094010	PARTS EXIT UNIT SP		1	1	1
1	*302K094350	2K094350	PARTS ROLLER EXIT REVERSE SP		1	1	1
2	*302K394350	2K394350	PARTS GEAR Z22S EXIT SP		2	2	2
3	*7NXGP1S173LCH01	NX116910	SENSOR OPT.		2	2	2
4	*302K394180	2K394180	PARTS SWITCH EXIT PAPER EMPTY SP		1	1	1
5	*302K028080	2K028080	ACTUATOR EXIT OVERFLOW LOW		1	1	1
6	*302K094340	2K094340	PARTS ROLLER EXIT FD SP		1	1	1
7	*302K028260	2K028260	GEAR Z23S EXIT		1	1	1
8	*302KP29090	2KP29090	GEAR IDLE Z18S		2	2	2
9	*302K394340	2K394340	PARTS GEAR Z74R-Z22S EXIT SP		1	1	1
10	*303LJ94150	3LJ94150	PARTS SOLENOID FEED SHIFT SP		1	1	1
11	*302HN44100	2HN44100	MOTOR REVERSE		1	1	1
12	*302K028090	2K028090	ACTUATOR EXIT OVERFLOW UP		1	1	1
13	302K004320	2K004320	TRAY EJECT		1	1	1
101	7BB000303H	BB107000	+BIND M SCREW 3X3				
102	7BB700308H	BB105600	+BIND T.T S SCREW 3X8 SR				
103	7BB200410H	BB105700	+BIND T.T P SCREW 4X10				

•Parts with Ref.No. indicate maintenance parts and the ones without it indicate out of the above.

•Parts with "*" are component parts or sub-assemblies of the assembly appearing immediately above them.
 •Parts with "* •" are component parts or sub-assembly with "*" appearing immediately above them.

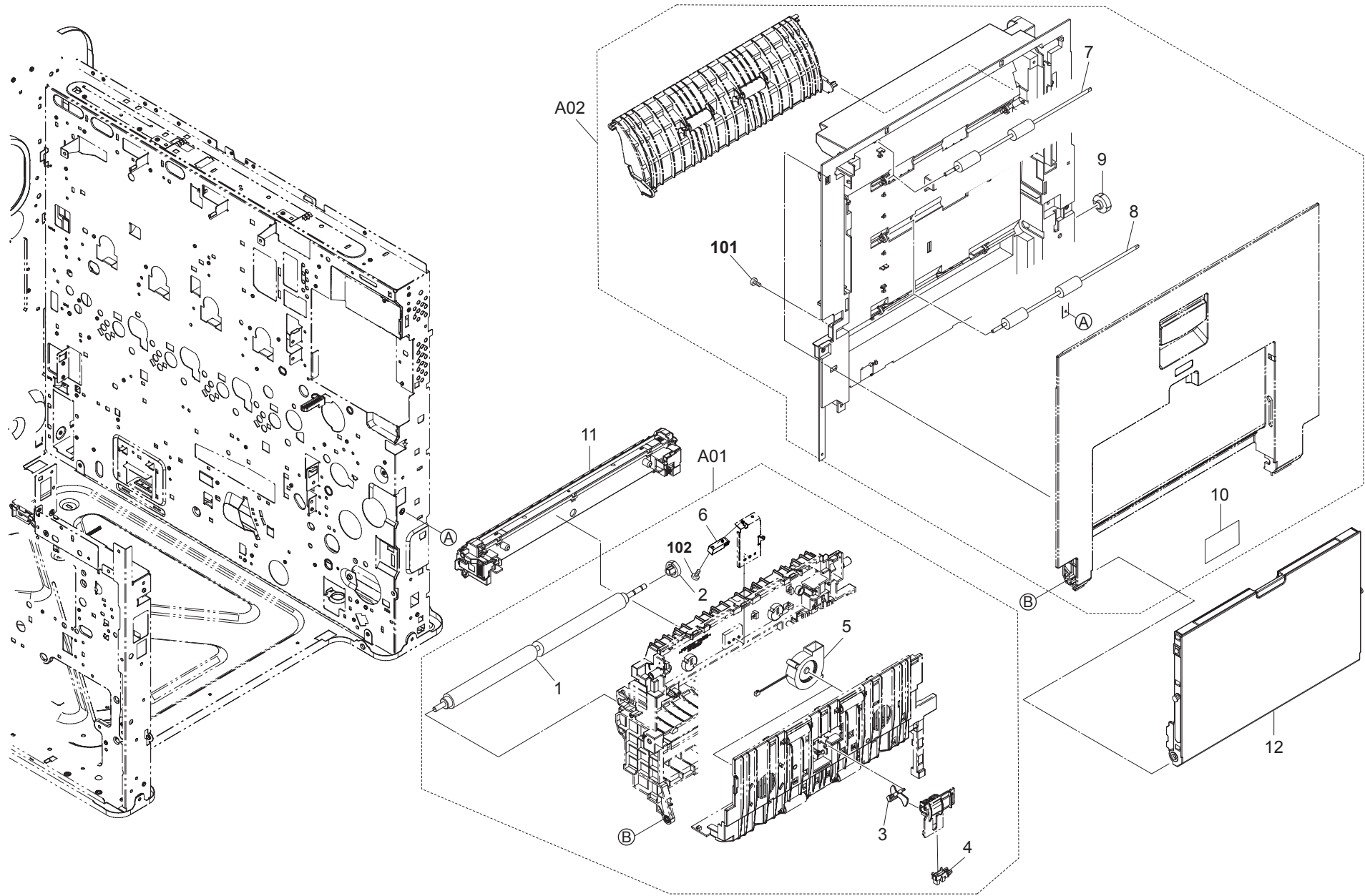


FIG. 7 Paper Conveying Section

2MZ/2MY

Ref. No.	Part.No.	Alternative.	Description	Notes	Quantity		
					120	230	240
A01	302MY94120	2MY94120	PARTS CONVEYING UNIT SP		1	1	1
1	+302K094420	2K094420	PARTS ROLLER REGIST RIGHT SP		1	1	1
2	+302K394330	2K394330	PARTS GEAR REGIST Z24R SP		1	1	1
3	+302K329040	2K329040	ACTUATOR DU		1	1	1
4	+7NXGP1S173LCH01	NX116910	SENSOR OPT.		1	1	1
5	+302HN44210	2HN44210	FAN MOTOR		2	2	2
6	+3H327410	3H327410	SENSOR,CONVEYING		1	1	1
A02	302K094031	2K094031	PARTS COVER RIGHT ASSY SP		1	1	1
7	+302K094390	2K094390	PARTS ROLLER DU B SP		2	2	2
8	+302K394250	2K394250	PARTS ROLLER DU SP		2	2	2
9	+302K394400	2K394400	PARTS GEAR DU Z27L SP		1	1	1
10	+302K334480	2K334480	LABEL COVER CAUTION 9NATIONS		1	1	
11	302MY93070	2MY93070	TR-896B		1	1	1
12	302K394470	2K394470	PARTS MPF TABLE ASSY SP		1	1	1
101	7BB200308H	BB105660	+BIND T.T P SCREW 3X8				
102	7BB607312H	BB107140	+TP-CUP M SCREW 3X12 R				

•Parts with Ref.No. indicate maintenance parts and the ones without it indicate out of the above.

•Parts with "-" are component parts or sub-assemblies of the assembly appearing immediately above them.
 •Parts with "•" are component parts or sub-assembly with "-" appearing immediately above them.

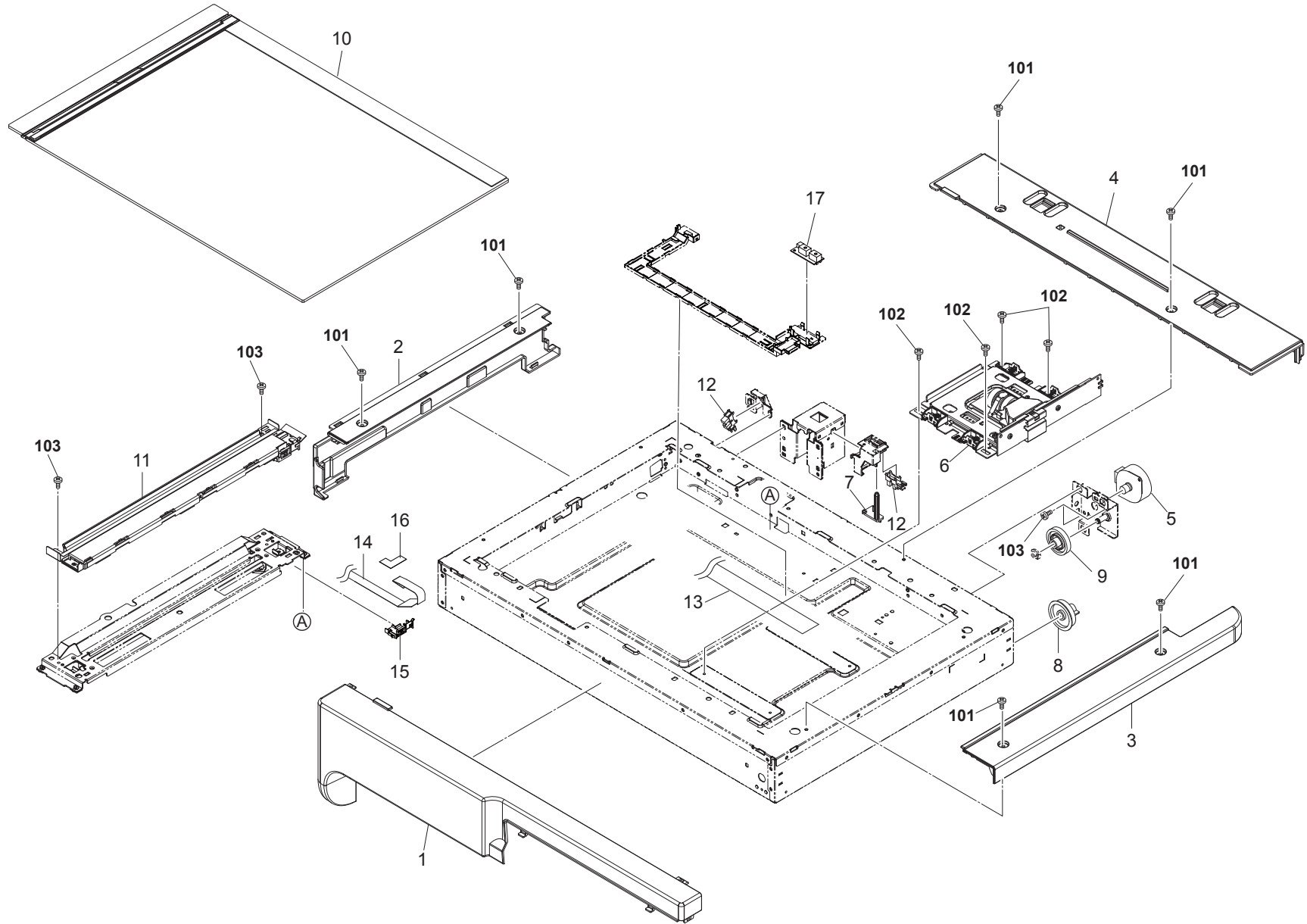


FIG. 8 Scanner Section

2MZ/2MY

Ref. No.	Part.No.	Alternative.	Description	Notes	Quantity		
					120	230	240
1	302K004121	2K004121	COVER ISU FRONT		1	1	1
2	302K304131	2K304131	COVER ISU LEFT		1	1	1
3	302K394590	2K394590	PARTS COVER ISU RIGHT ASSY A SP		1	1	1
4	302K304150	2K304150	COVER ISU REAR		1	1	1
5	302K394210	2K394210	PARTS MOTOR ISU SP		1	1	1
6	302K093162	2K093162	PARTS ISU		1	1	1
7	302K317250	2K317250	SWITCH RELEASE		1	1	1
8	302K317350	2K317350	GEAR Z54		1	1	1
9	302K394370	2K394370	PARTS GEAR Z18-Z63R SP		1	1	1
10	302K394560	2K394560	PARTS CONTACT-GLASS ASSY(I) SP		1		
10	302K394550	2K394550	PARTS CONTACT-GLASS ASSY(C) SP			1	1
11	302K093150	2K093150	PARTS MOUNT LED ASSY		1	1	1
12	7NXGP1S173LCH01	NX116910	SENSOR OPT.		2	2	2
13	302K346410	2K346410	FFC MAIN-CCD		1	1	1
14	302K346400	2K346400	FFC MAIN-LED LAMP		1	1	1
15	302K317172	2K317172	GUIDE FFC LED C		1	1	1
16	302K317791	2K317791	SHEET FFC LED		1	1	1
17	302H044110	2H044110	SENSOR ORIGINAL		1	1	1
101	7BB702308H	BB107060	+TP-FLAT T.T S SCREW 3X8 SR				
102	7BB606308H	BB105280	+PAN M SCREW WITH SW W 3X8 R				
103	7BB700308H	BB105600	+BIND T.T S SCREW 3X8 SR				

•Parts with Ref.No. indicate maintenance parts and the ones without it indicate out of the above.

•Parts with "*" are component parts or sub-assemblies of the assembly appearing immediately above them.
 •Parts with "•" are component parts or sub-assembly with "*" appearing immediately above them.

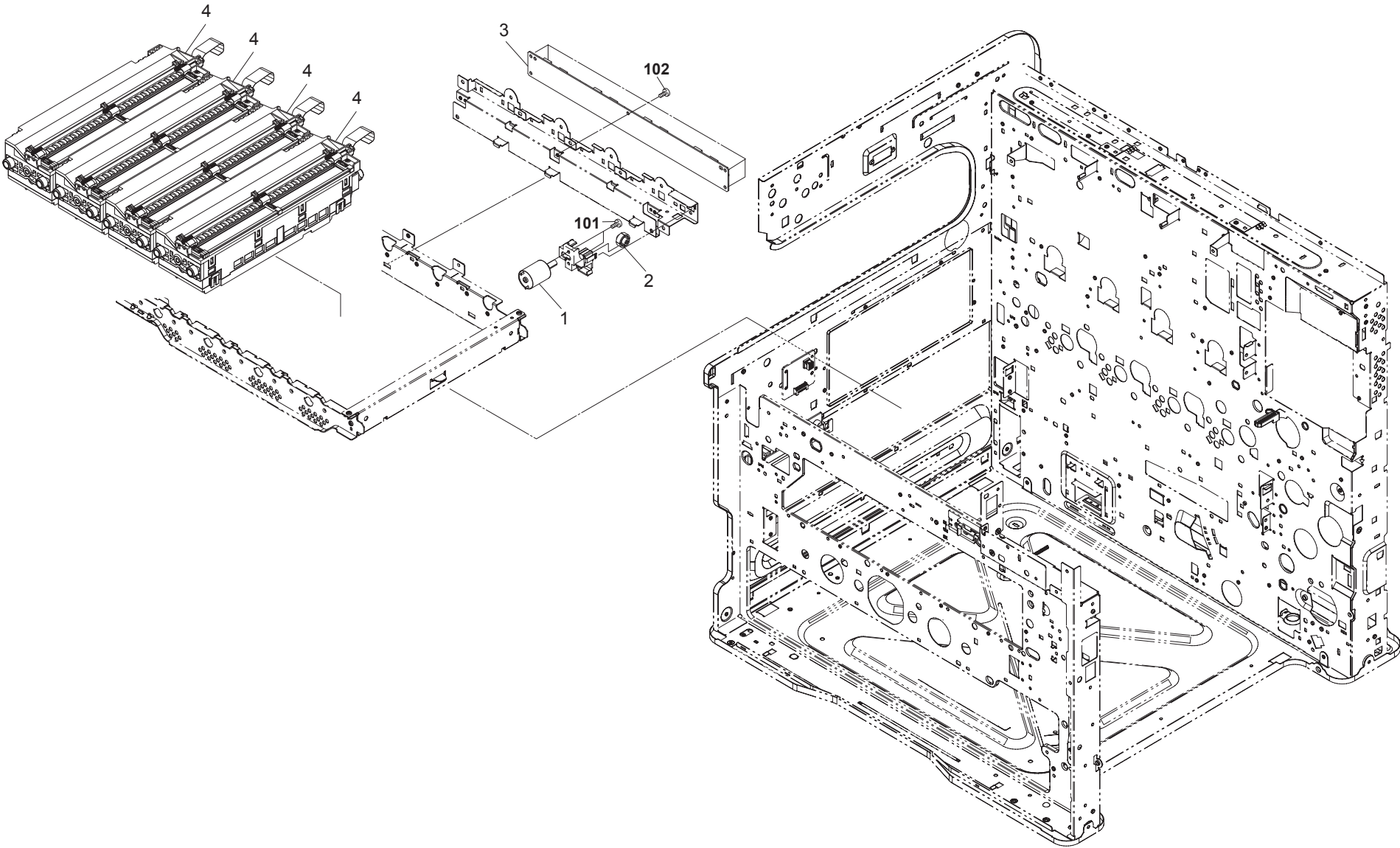


FIG. 9 Laser Scanner Section

2MZ/2MY

Ref. No.	Part.No.	Alternative.	Description	Notes	Quantity		
					120	230	240
1	302K094090	2K094090	PARTS MOTOR-DC ASSY C SP		1	1	1
2	302K994520	2K994520	PARTS GEAR Z32L SP		1	1	1
3	302K094170	2K094170	PARTS PWB LSU CONNECT ASSY SP		1	1	1
4	302K093060	2K093060	LK-895		4	4	4
101	7BB000303H	BB107000	+BIND M SCREW 3X3				
102	7BB700308H	BB105600	+BIND T.T S SCREW 3X8 SR				

•Parts with Ref.No. indicate maintenance parts and the ones without it indicate out of the above.

•Parts with "*" are component parts or sub-assemblies of the assembly appearing immediately above them.
 •Parts with "•" are component parts or sub-assembly with "*" appearing immediately above them.

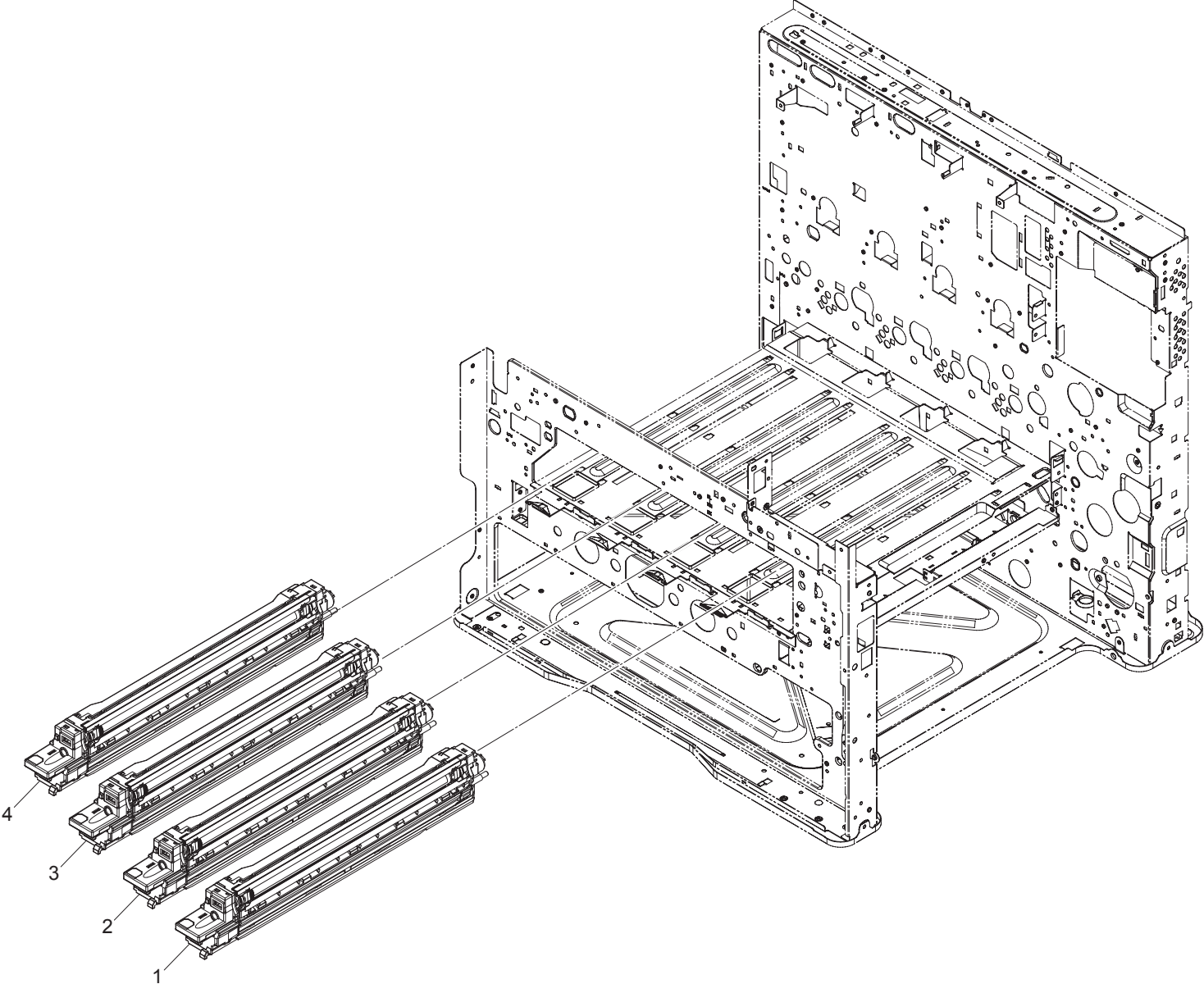


FIG. 10 Developing Section

2MZ/2MY

Ref. No.	Part.No.	Alternative.	Description	Notes	Quantity		
					120	230	240
1	302MY93050	2MY93050	DV-896K		1	1	1
2	302MY93030	2MY93030	DV-896M		1	1	1
3	302MY93040	2MY93040	DV-896C		1	1	1
4	302MY93020	2MY93020	DV-896Y		1	1	1

•Parts with Ref.No. indicate maintenance parts and the ones without it indicate out of the above.

•Parts with "." are component parts or sub-assemblies of the assembly appearing immediately above them.
 •Parts with ".•" are component parts or sub-assembly with "." appearing immediately above them.

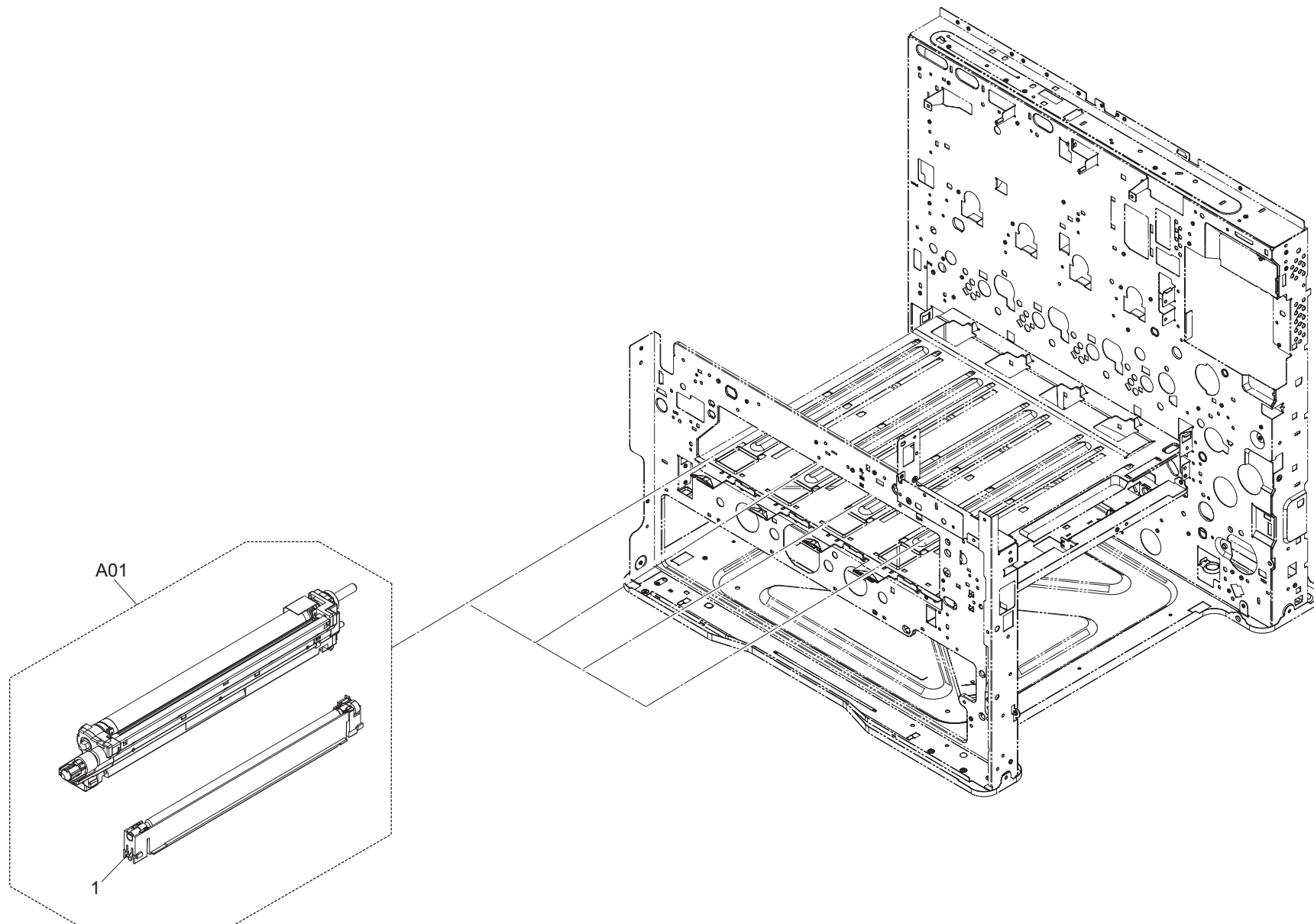


FIG. 11 Image Formation Section

2MZ/2MY

Ref. No.	Part.No.	Alternative.	Description	Notes	Quantity		
					120	230	240
A01	302MY93010	2MY93010	DK-896		4	4	4
1	*302MY93090	2MY93090	MC-896		4	4	4

•Parts with Ref.No. indicate maintenance parts and the ones without it indicate out of the above.

•Parts with "-" are component parts or sub-assemblies of the assembly appearing immediately above them.
 •Parts with "• •" are component parts or sub-assembly with "-" appearing immediately above them.

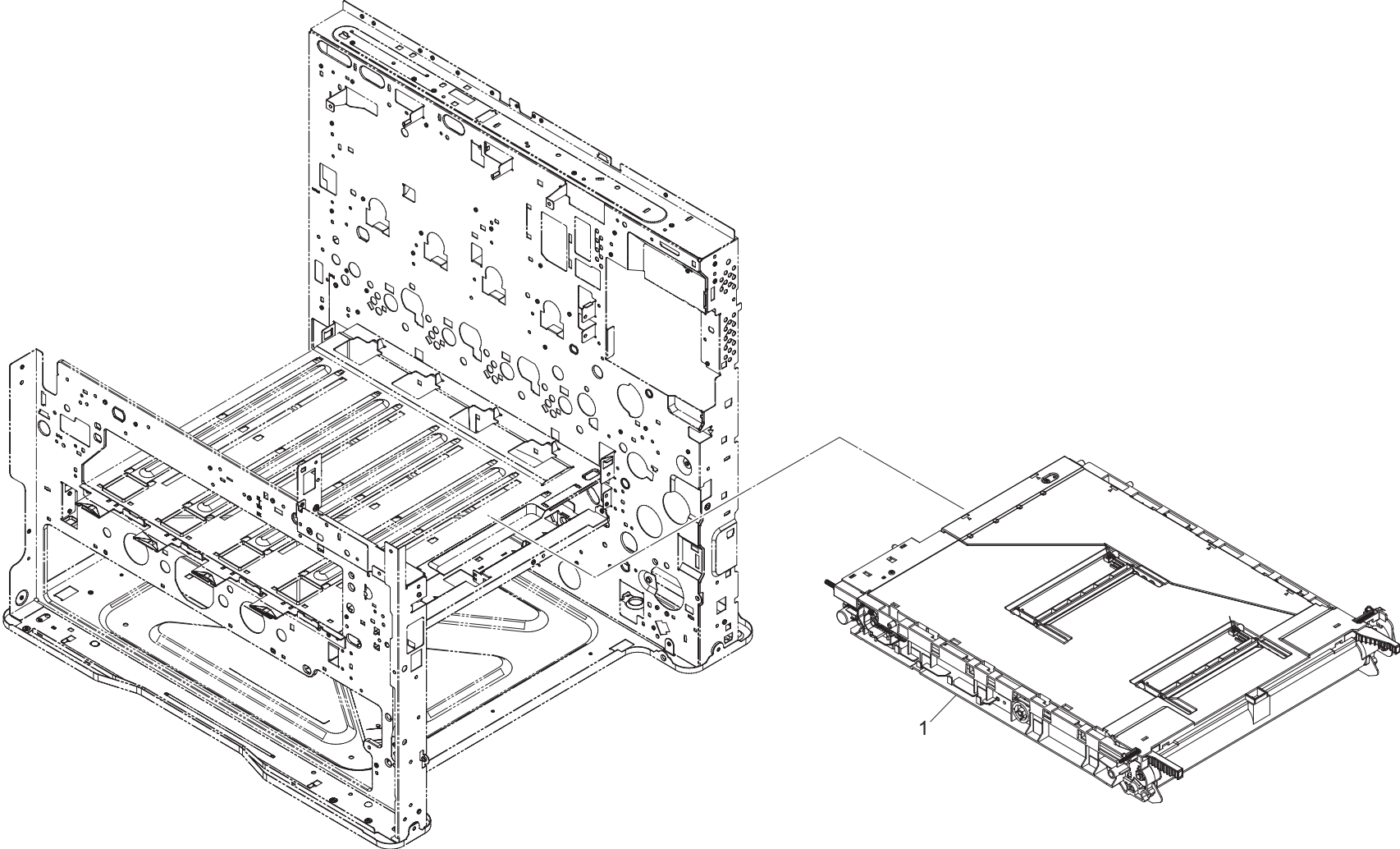


FIG. 12 Transfer Section

2MZ/2MY

Ref. No.	Part.No.	Alternative.	Description	Notes	Quantity		
					120	230	240
1	302MY93060	2MY93060	TR-896A		1	1	1

•Parts with Ref.No. indicate maintenance parts and the ones without it indicate out of the above.

•Parts with "*" are component parts or sub-assemblies of the assembly appearing immediately above them.
 •Parts with "• •" are component parts or sub-assembly with "*" appearing immediately above them.

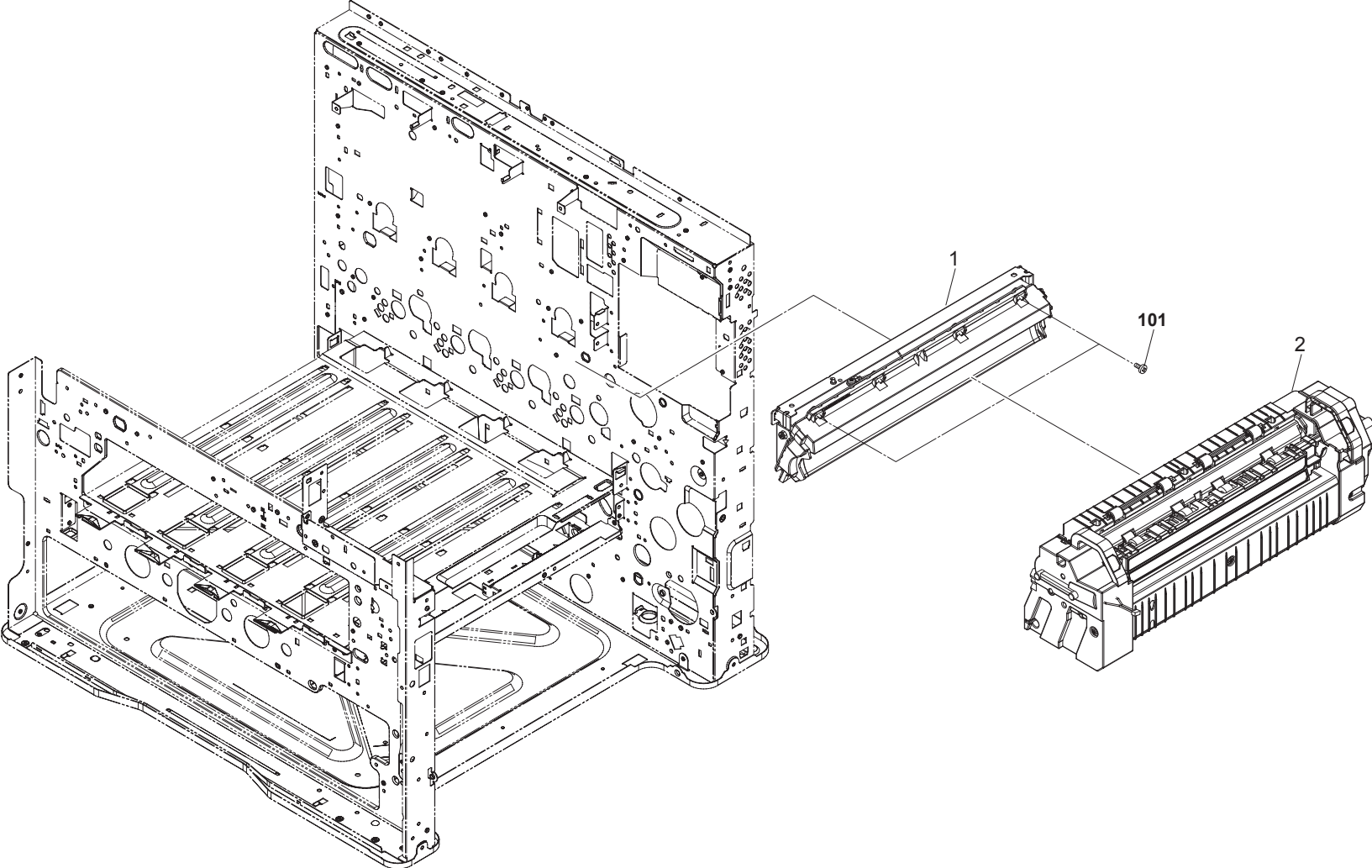


FIG. 13 Fuser Section

2MZ/2MY

Ref. No.	Part.No.	Alternative.	Description	Notes	Quantity		
					120	230	240
1	302LC93080	2LC93080	FK-8506 IH		1		
1	302LC93090	2LC93090	FK-8507 IH			1	1
2	302MY93080	2MY93080	FK-896		1	1	1
101	7BB700308H	BB105600	+BIND T.T S SCREW 3X8 SR				

•Parts with Ref.No. indicate maintenance parts and the ones without it indicate out of the above.

•Parts with "*" are component parts or sub-assemblies of the assembly appearing immediately above them.
 •Parts with "• •" are component parts or sub-assembly with "*" appearing immediately above them.

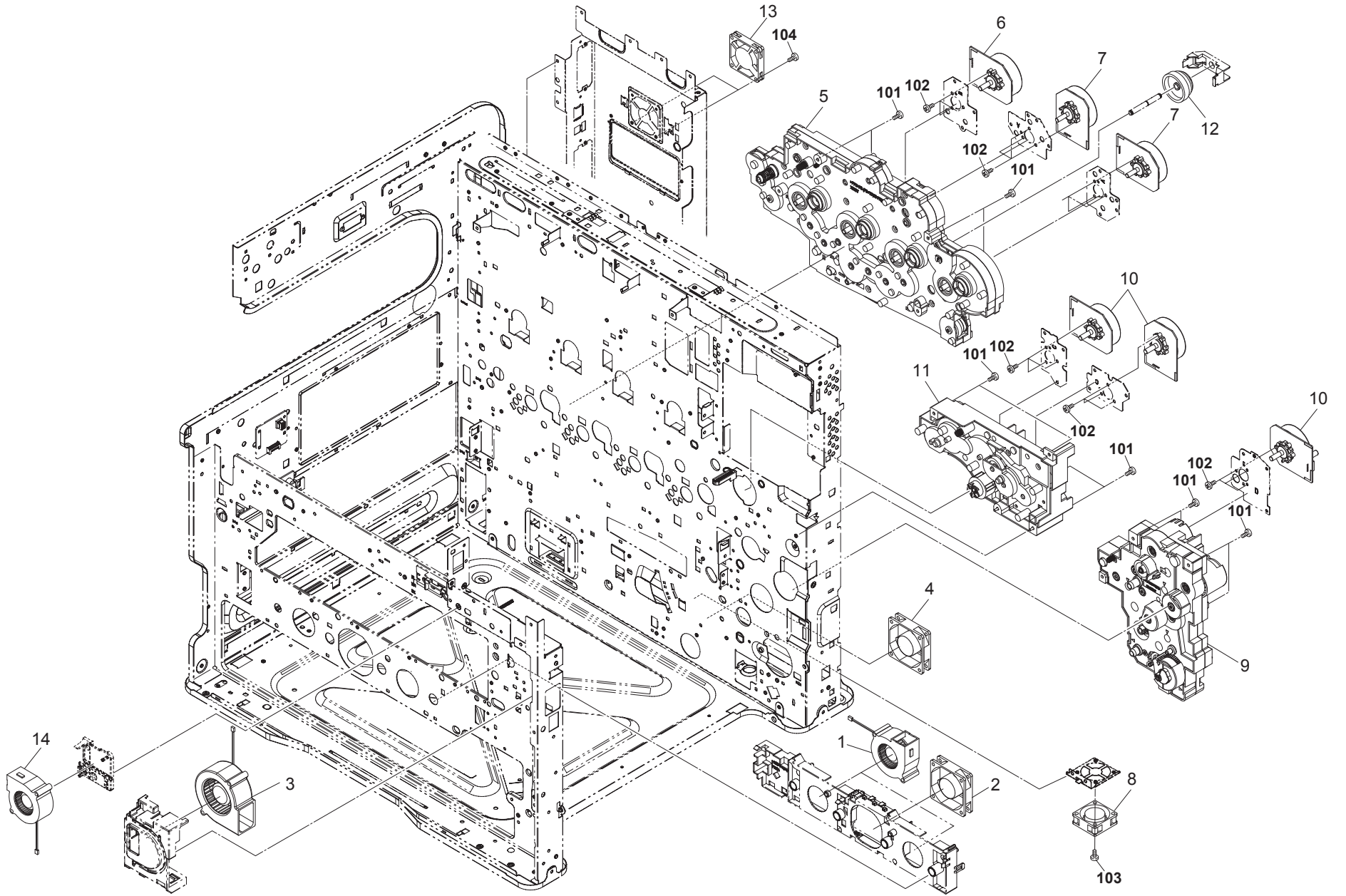


FIG. 14 Drive Section

2MZ/2MY

Ref. No.	Part.No.	Alternative.	Description	Notes	Quantity		
					120	230	240
1	302LC94380	2LC94380	PARTS FAN COOLING LSU 60 SP		2	2	2
2	302FZ94420	2FZ94420	PARTS,FAN COOLING CONVEYING SP		1	1	1
3	302FZ94380	2FZ94380	PARTS,FAN COOLING DLP 70 SP		1	1	1
4	302HN44010	2HN44010	FAN MOTOR		1	1	1
5	302K093122	2K093122	DR-895A		1	1	1
6	302K994331	2K994331	PARTS MOTOR-BL W30 SP		1	1	1
7	302LC94301	2LC94301	PARTS MOTOR-BL W20 DRUM SP		2	2	2
8	302HG44120	2HG44120	FAN MOTOR PS40		1	1	1
9	302K093142	2K093142	DR-895C		1	1	1
10	302K994321	2K994321	PARTS MOTOR-BL W20 SP		3	3	3
11	302K093130	2K093130	DR-895B		1	1	1
12	302K094320	2K094320	PARTS CLUTCH 50 Z45L SP		1	1	1
13	302HG44110	2HG44110	FAN MOTOR 50		1	1	1
14	302K994360	2K994360	PARTS FAN COOLING LSU 60 SP		1	1	1
101	7BB700308H	BB105600	+BIND T.T S SCREW 3X8 SR				
102	7BB000304H	BB105720	+BIND M SCREW 3X4				
103	7BB700320H	BB105620	+BIND T.T S SCREW 3X20 SR				
104	7BB700312H	BB106820	+BIND T.T S SCREW 3X12 SR				

•Parts with Ref.No. indicate maintenance parts and the ones without it indicate out of the above.

•Parts with "*" are component parts or sub-assemblies of the assembly appearing immediately above them.
 •Parts with "•" are component parts or sub-assembly with "*" appearing immediately above them.

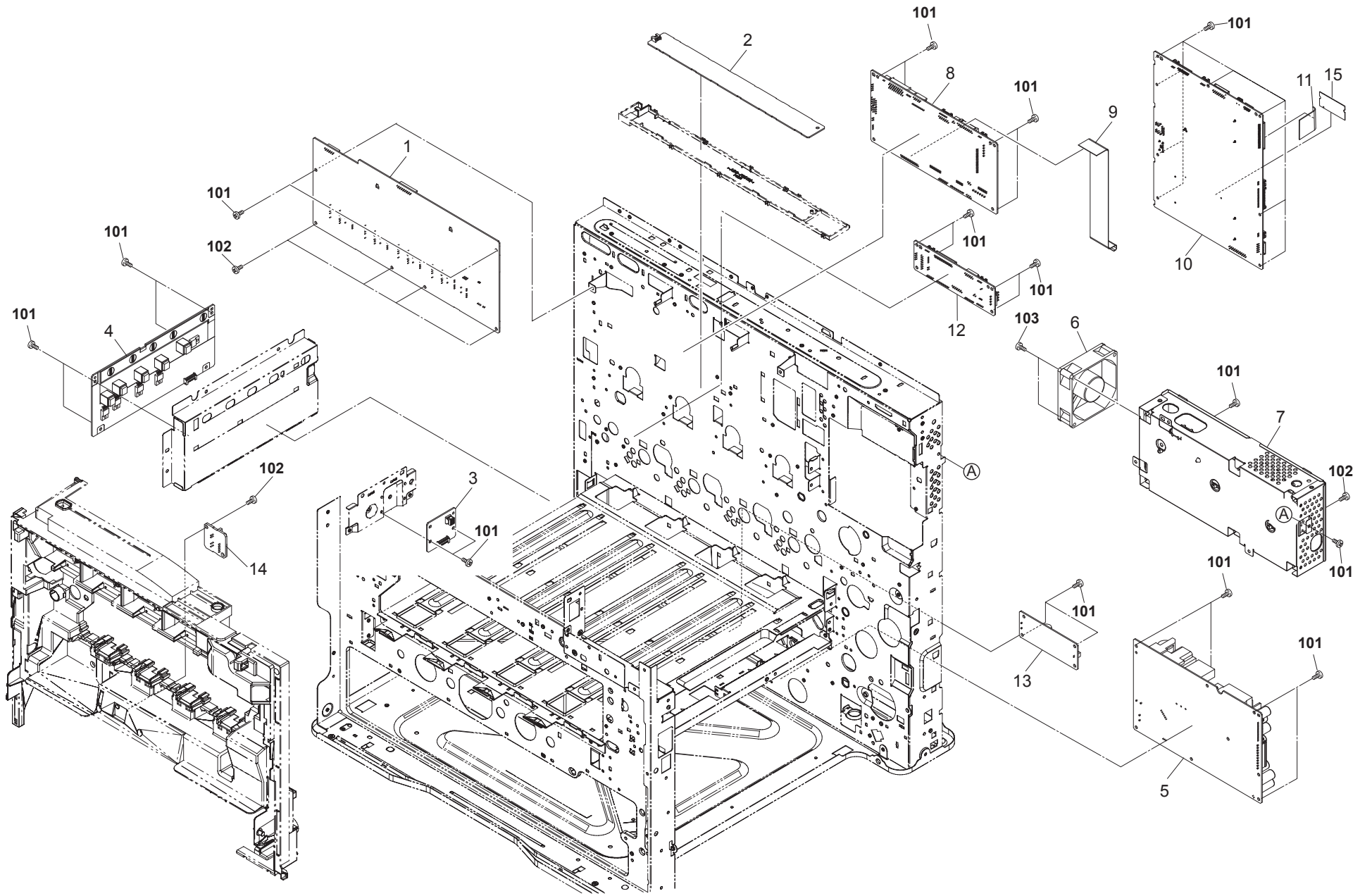


FIG. 15 Electrical Components

2MZ/2MY

Ref. No.	Part.No.	Alternative.	Description	Notes	Quantity		
					120	230	240
1	302K094260	2K094260	PARTS HVU1 SP		1	1	1
2	302K094200	2K094200	PARTS PWB RFID ASSY SP		1	1	1
3	302K094190	2K094190	PARTS PWB TRANSFER CONNECT ASSY SP		1	1	1
4	302K094270	2K094270	PARTS HVU2 SP		1	1	1
5	302K094240	2K094240	PARTS LVU MAIN 100 SP		1		
5	302K094250	2K094250	PARTS LVU MAIN 200 SP			1	1
6	302K094300	2K094300	PARTS FAN MOTOR SP		1	1	1
7	302K094111	2K094111	PARTS PWB IH 100 ASSY SP		1		
7	302K094122	2K094122	PARTS PWB IH 200 ASSY SP			1	1
8	302MY94090	2MY94090	PARTS PWB ENGINE ASSY SP		1	1	1
9	302K046330	2K046330	FFC ENGINE1-2 SIG		1	1	1
10	302MY94050	2MY94050	PARTS PWB MAIN ASSY SP		1		1
10	302MY94060	2MY94060	PARTS PWB MAIN ASSY SP EU			1	
11	302K046880	2K046880	FFC ENGINE-MAIN		1	1	1
12	302K094210	2K094210	PARTS PWB ENGINE CONNECT ASSY SP		1	1	1
13	302MW94070	2MW94070	PARTS LVU SUB 100 SP		1		
13	302MW94080	2MW94080	PARTS LVU SUB 200 SP			1	1
14	302KV94360	2KV94360	PARTS PWB ASSY THERMISTOR SP		1	1	1
15	302MY94080	2MY94080	PARTS MEMORY MODULE SP		1	1	1
101	7BB700308H	BB105600	+BIND T.T S SCREW 3X8 SR				
102	7BB200308H	BB105660	+BIND T.T P SCREW 3X8				
103	7BB700330H	BB106840	+BIND T.T S SCREW 3X30 SR				

•Parts with Ref.No. indicate maintenance parts and the ones without it indicate out of the above.

•Parts with "*" are component parts or sub-assemblies of the assembly appearing immediately above them.
 •Parts with "• •" are component parts or sub-assembly with "*" appearing immediately above them.

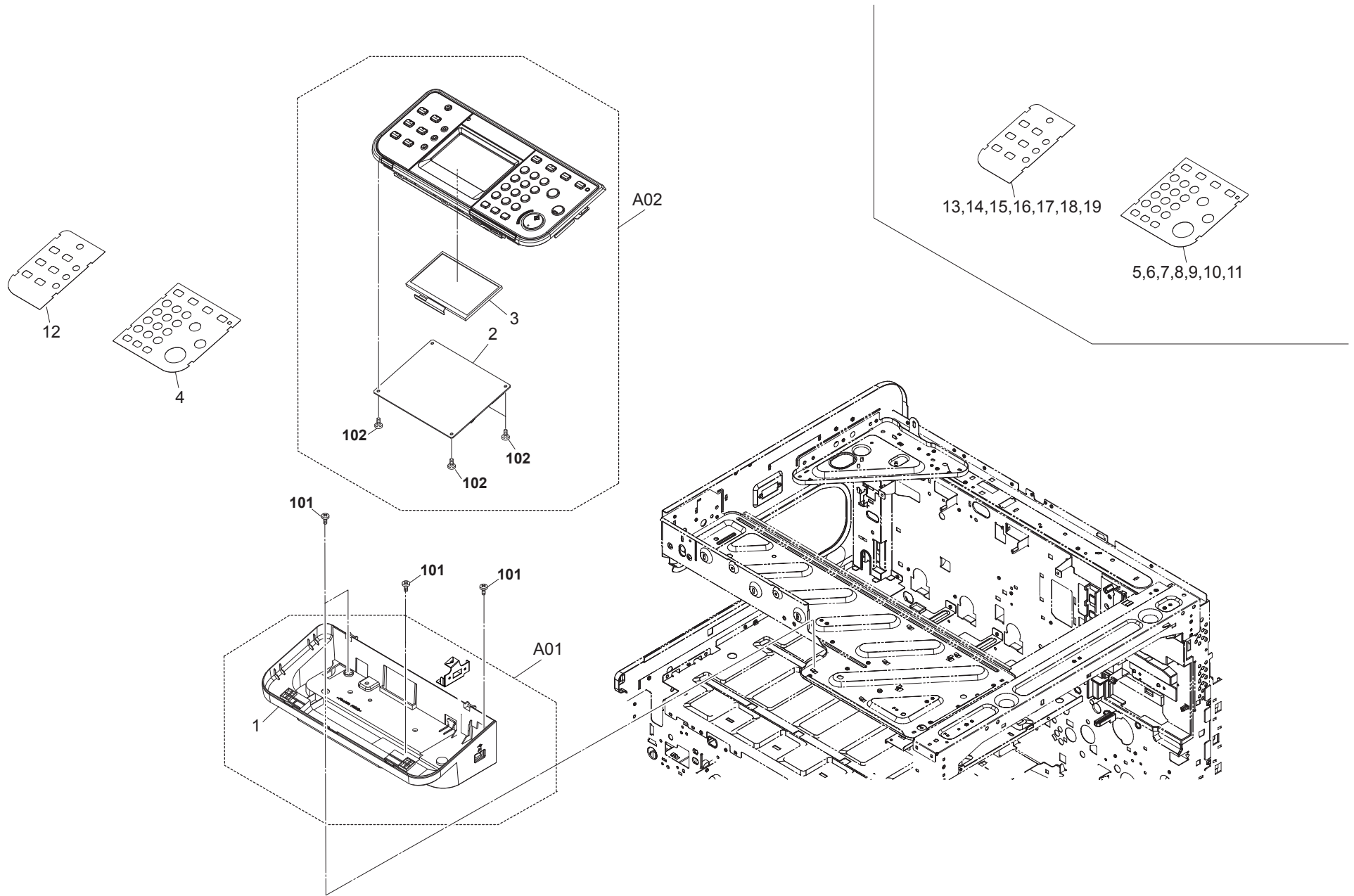


FIG. 16 Operation Section

2MZ/2MY

Ref. No.	Part.No.	Alternative.	Description	Notes	Quantity		
					120	230	240
A01	302K394870	2K394870	PARTS COVER OPE LOW SET SP		1	1	1
1	+302K305022	2K305022	COVER OPERATION LOW		1	1	1
A02	302MY94030	2MY94030	PARTS OPERATION UNIT SP		1	1	1
2	+302MY94110	2MY94110	PARTS PWB PANEL MAIN ASSY SP		1	1	1
3	+302K394170	2K394170	PARTS LCD COLOR SP		1	1	1
4	302K305310	2K305310	SHEET OPERATION RIGHT E		1	1	1
5	302K305360	2K305360	SHEET OPERATION RIGHT F		1	1	
6	302K305380	2K305380	SHEET OPERATION RIGHT S		1	1	
7	302K305390	2K305390	SHEET OPERATION RIGHT P(B)		1	1	
8	302K305350	2K305350	SHEET OPERATION RIGHT G			1	
9	302K305370	2K305370	SHEET OPERATION RIGHT I			1	
10	302K305400	2K305400	SHEET OPERATION RIGHT N			1	
11	302K305410	2K305410	SHEET OPERATION RIGHT R			1	
12	302MY05010	2MY05010	SHEET OPERATION LEFT E		1	1	1
13	302MY05030	2MY05030	SHEET OPERATION LEFT S		1	1	
14	302MY05040	2MY05040	SHEET OPERATION LEFT F		1	1	
15	302MY05050	2MY05050	SHEET OPERATION LEFT P		1	1	
16	302MY05060	2MY05060	SHEET OPERATION LEFT G			1	
17	302MY05070	2MY05070	SHEET OPERATION LEFT I			1	
18	302MY05080	2MY05080	SHEET OPERATION LEFT N			1	
19	302MY05090	2MY05090	SHEET OPERATION LEFT R			1	
101	7BB702308H	BB107060	+TP-FLAT T.T S SCREW 3X8 SR				
102	7BB700308H	BB105600	+BIND T.T S SCREW 3X8 SR				

•Parts with Ref.No. indicate maintenance parts and the ones without it indicate out of the above.

•Parts with "-" are component parts or sub-assemblies of the assembly appearing immediately above them.
 •Parts with "•" are component parts or sub-assembly with "•" appearing immediately above them.

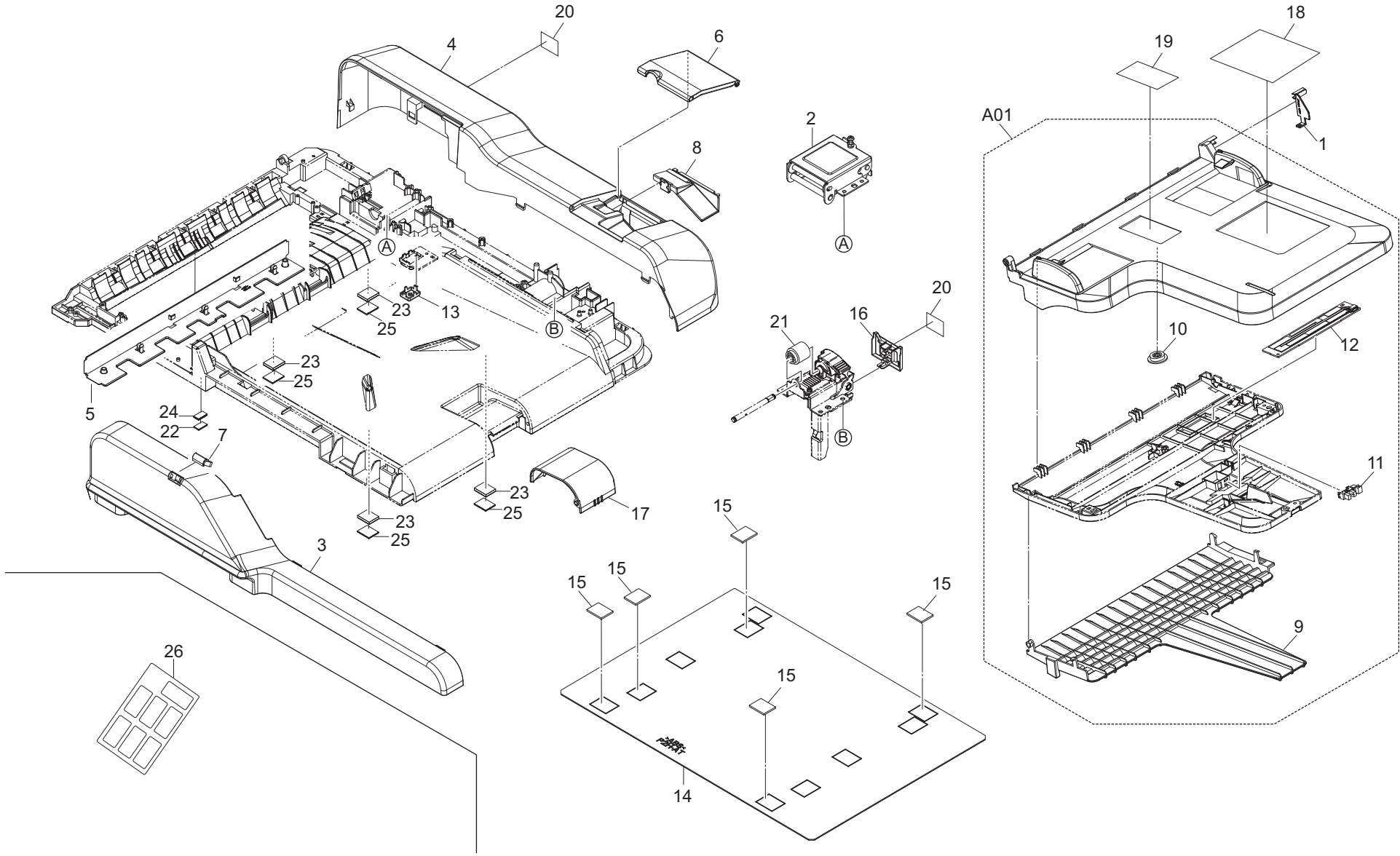


FIG. 17 Document Processor1

2MZ/2MY

Ref. No.	Part.No.	Alternative.	Description	Notes	Quantity		
					120	230	240
1	303LL06100	3LL06100	COVER TABLE WIRE		1	1	1
2	303M802020	3M802020	LEFT HINGE		1	1	1
3	303M804011	3M804011	COVER FRONT		1	1	1
4	303M804020	3M804020	COVER REAR		1	1	1
5	303M804040	3M804040	COVER LEFT		1	1	1
6	303M804060	3M804060	LID REAR COVER		1	1	1
7	303M804070	3M804070	COVER LED		1	1	1
8	303M804080	3M804080	LID INNER COVER		1	1	1
A01	303M894060	3M894060	PARTS TABLE ASSY SP		1	1	1
9	*303M806050	3M806050	TRAY LOOP		1	1	1
10	*65907210	65907210	GEAR 20,CASSETTE		1	1	1
11	*303M894260	3M894260	PARTS SENSOR OPT SP		1	1	1
12	*303M894270	3M894270	PARTS PWB SIZE DETECTION ASSY SP		1	1	1
13	3HL02240	3HL02240	PUSH SW DP		1	1	1
14	303JC04200	3JC04200	PLATE ORIGINAL		1	1	1
15	303MX02021	3MX02021	CUSHION ORIGINAL MAT A		5	5	5
16	303M804090	3M804090	COVER HINGE		1	1	1
17	303M804050	3M804050	STOPPER EJECT		1	1	1
18	303M834111	3M834111	LABEL PAPER SET CAUTION ENG		1	1	1
19	303H605110	3H605110	LABEL MSP A		1	1	1
20	303M834070	3M834070	LABEL HINGE CAUTION		2	2	2
21	3AK20130	3AK20130	GEAR,WORM MAIN TRAY		1	1	1
22	303J902370	3J902370	CUSHION ORIGINAL MAT		1	1	1
23	303K502080	3K502080	SPONGE ORIGINAL MAT		4	4	4
24	303M802320	3M802320	SPONGE ORIGINAL MAT A		1	1	1
25	303MX02031	3MX02031	CUSHION ORIGINAL MAT B		4	4	4
26	303LL34190	3LL34190	LABEL FACE UP 7NATIONS		1	1	1

•Parts with Ref.No. indicate maintenance parts and the ones without it indicate out of the above.

•Parts with "-" are component parts or sub-assemblies of the assembly appearing immediately above them.
 •Parts with "• •" are component parts or sub-assembly with "•" appearing immediately above them.

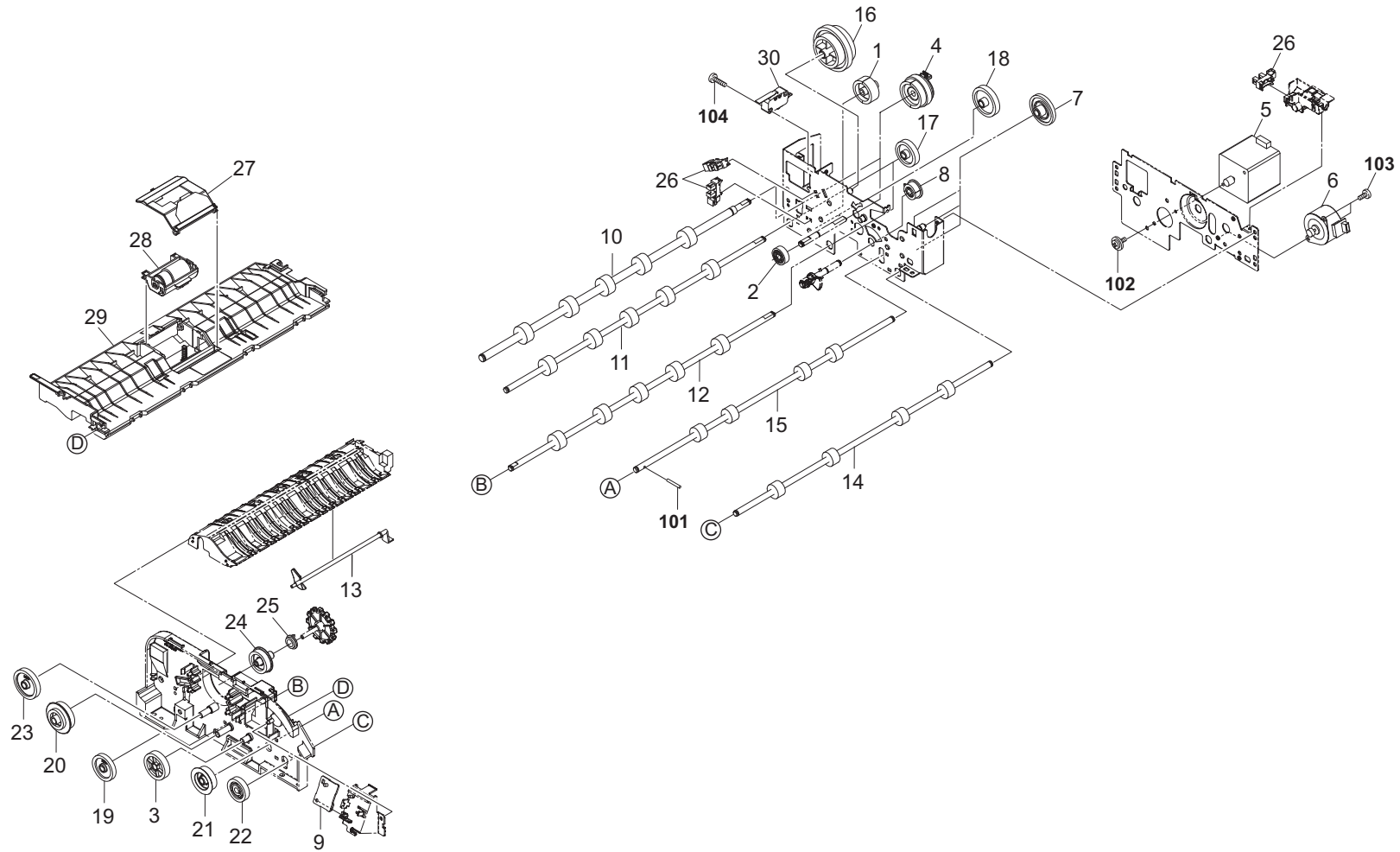


FIG. 18 Document Processor2

2MZ/2MY

Ref. No.	Part.No.	Alternative.	Description	Notes	Quantity		
					120	230	240
1	302F914160	2F914160	GEAR Z30H		1	1	1
2	302H731700	2H731700	GEAR Z21 CONT		1	1	1
3	302H731730	2H731730	GEAR Z34L MIDDLE		1	1	1
4	303M894090	3M894090	PARTS CLUTCH 50 Z35R SP		2	2	2
5	302KY44010	2KY44010	MOTOR IMAGE		1	1	1
6	302KY44090	2KY44090	MOTOR ROTARY		1	1	1
7	303H622331	3H622331	GEAR 20/65 IDLE		3	3	3
8	303LL31260	3LL31260	GEAR Z32S LIFT		1	1	1
9	303M894100	3M894100	PARTS PWB LED ASSY SP		1	1	1
10	303M894110	3M894110	PARTS ROLLER REGISTRATION SP		1	1	1
11	303M894120	3M894120	PARTS ROLLER CONVEYING A SP		1	1	1
12	303M894130	3M894130	PARTS ROLLER CONVEYING B SP		1	1	1
13	303M824110	3M824110	ACTUATOR REGISTRATION		1	1	1
14	303M894140	3M894140	PARTS ROLLER EXIT SP		1	1	1
15	303M894150	3M894150	PARTS ROLLER LOOP SP		1	1	1
16	303M894160	3M894160	PARTS GEAR Z41L Z58L Z76L SP		1	1	1
17	303M894170	3M894170	PARTS GEAR Z32R SP		2	2	2
18	303M894180	3M894180	PARTS GEAR Z38L SP		1	1	1
19	303M894190	3M894190	PARTS GEAR Z33L SP		1	1	1
20	303M894200	3M894200	PARTS GEAR Z34R Z26S SP		1	1	1
21	303M894210	3M894210	PARTS GEAR Z29R SP		1	1	1
22	303M894220	3M894220	PARTS GEAR Z29L ONEWAY SP		1	1	1
23	303M894240	3M894240	PARTS GEAR Z39S SP		1	1	1
24	303M894250	3M894250	PARTS GEAR LF Z29S SP		1	1	1
25	36211500	36211500	GEAR, LEADING FEED JOINT		1	1	1
26	303M894260	3M894260	PARTS SENSOR OPT SP		3	3	3
27	303M894030	3M894030	RETARD GUIDE (DP)	service only	1	1	1
28	303M894040	3M894040	RETARD ROLLER (DP)	service only	1	1	1
29	303M894070	3M894070	PARTS GUIDE PF ASSY SP		1	1	1
30	2FB27160	2FB27160	INTER LOCK SWITCH		1	1	1
101	5MBP2010PXLJ	EP120100	PARALLEL PIN H7 / M2 X 10 SUS				
102	7BB607306H	BB105770	+TP-CUP M SCREW 3X6 R				
103	7BB700308H	BB105600	+BIND T.T S SCREW 3X8 SR				
104	7BB700316H	BB106910	+BIND T.T S SCREW 3X16 SR				

•Parts with Ref.No. indicate maintenance parts and the ones without it indicate out of the above.

•Parts with "-" are component parts or sub-assemblies of the assembly appearing immediately above them.
 •Parts with "•" are component parts or sub-assembly with "•" appearing immediately above them.

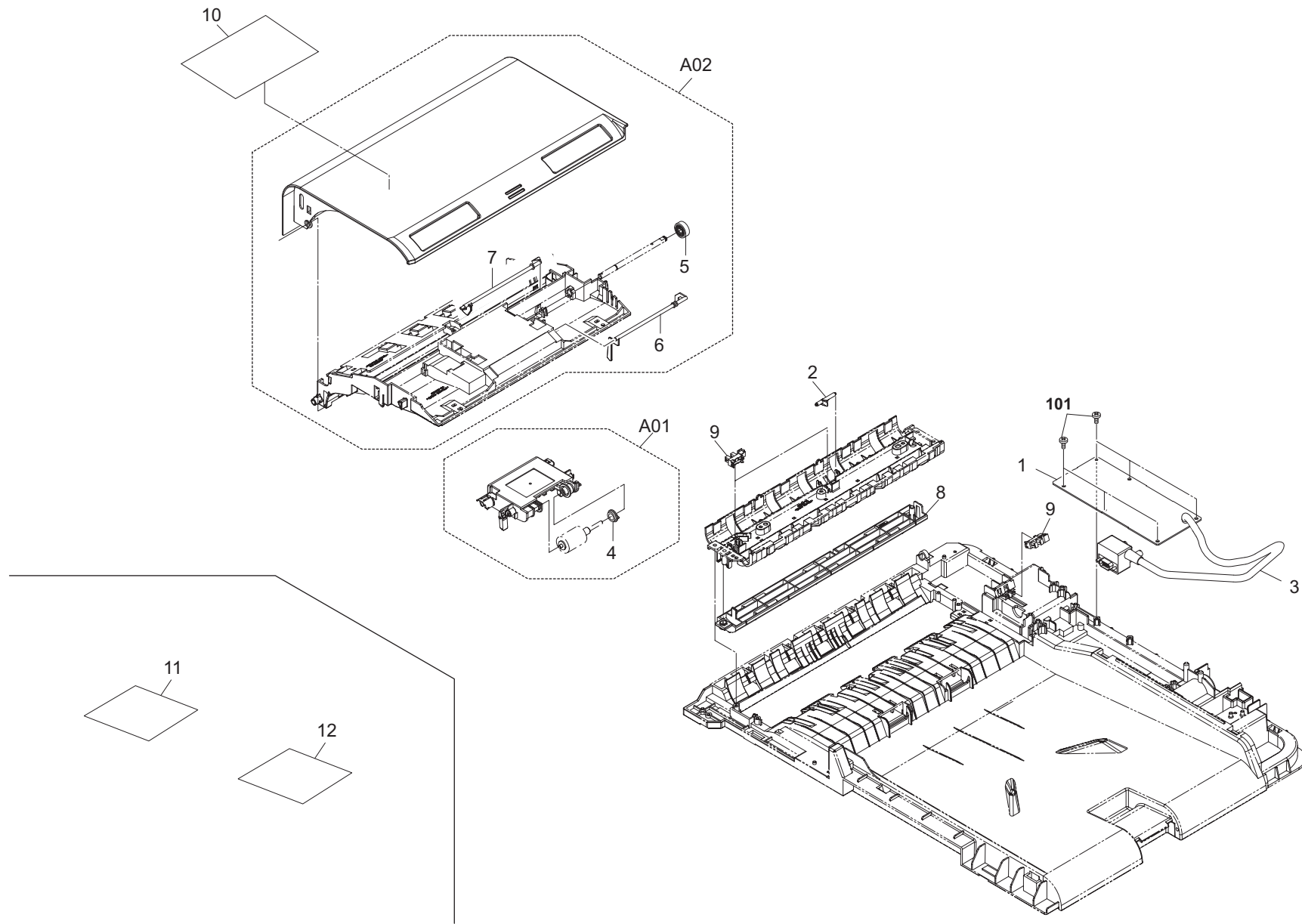


FIG. 19 Document Processor3

2MZ/2MY

Ref. No.	Part.No.	Alternative.	Description	Notes	Quantity		
					120	230	240
1	303M894010	3M894010	PARTS PWB DRIVE ASSY SP		1	1	1
2	303M824191	3M824191	ACTUATOR TIMING		1	1	1
3	303M846010	3M846010	WIRE INTERFACE		1	1	1
A01	303M894021	3M894021	FEED ROLLER (DP)	service only	1	1	1
4	*36211500	36211500	GEAR,LEADING FEED JOINT		1	1	1
A02	303M894051	3M894051	PARTS COVER PF ASSY SP		1	1	1
5	*302H731700	2H731700	GEAR Z21 CONT		1	1	1
6	*303M807060	3M807060	ACTUATOR ORIGINAL SET		1	1	1
7	*303M824090	3M824090	ACTUATOR FEED		1	1	1
8	303M894080	3M894080	PARTS GUIDE READING ASSY SP		1	1	1
9	303M894260	3M894260	PARTS SENSOR OPT SP		3	3	3
10	303M834090	3M834090	LABEL CAUTION ENG		1	1	1
11	303M834121	3M834121	LABEL CAUTION SET 3NATIONS		1	1	
12	303M834131	3M834131	LABEL CAUTION SET 4NATIONS			1	
101	7BB200308H	BB105660	+BIND T.T P SCREW 3X8				

•Parts with Ref.No. indicate maintenance parts and the ones without it indicate out of the above.

•Parts with "*" are component parts or sub-assemblies of the assembly appearing immediately above them.
 •Parts with "* •" are component parts or sub-assembly with "*" appearing immediately above them.

FIG. 20 Maintenance Kits

2MZ/2MY

Ref. No.	Part.No.	Alternative.	Description	Notes	Quantity		
					120	230	240
	1702K00UN2	072K00U2	MK-896B/MAINTENANCE KIT	OPTION	1	1	1
			DK-896		3	3	3
			DV-896M		1	1	1
			DV-896C		1	1	1
			DV-896Y		1	1	1
	1702MY0UN0	072MY0UN	MK-896A/MAINTENANCE KIT	OPTION	1	1	1
			TR-896B		1	1	1
			DK-896		1	1	1
			DV-896K		1	1	1
			TR-896A		1	1	1
			FK-896		1	1	1
			PRIMARY FEED UNIT		1	1	1
			SEPARATION PAD	service only	1	1	1
			MPF ROLLER	service only	1	1	1
			REGIST CLEANER		1	1	1
	1703M80UN0	073M80UN	MK-470/MAINTENANCE KIT	OPTION	1	1	1
			FEED ROLLER (DP)	service only	1	1	1
			RETARD GUIDE (DP)	service only	1	1	1
			RETARD ROLLER (DP)	service only	1	1	1

•Parts with Ref.No. indicate maintenance parts and the ones without it indicate out of the above.

•Parts with "*" are component parts or sub-assemblies of the assembly appearing immediately above them.
 •Parts with "•" are component parts or sub-assembly with "•" appearing immediately above them.

INDEX

2MZ/2MY

Part.No.	Alternative.	Description	Fig.No.
1702K00UN2	072K00U2	MK-896B/MAINTENANCE KIT	20
1702MY0UN0	072MY0UN	MK-896A/MAINTENANCE KIT	20
1703M80UN0	073M80UN	MK-470/MAINTENANCE KIT	20
2AR27800	2AR27800	POWER CORD(230)	2
2FB27160	2FB27160	INTER LOCK SWITCH	3,18
3019527401	19527401	POWER CORD(120)	2
302F914160	2F914160	GEAR Z30H	18
302FZ94380	2FZ94380	PARTS,FAN COOLING DLP 70 SP	14
302FZ94420	2FZ94420	PARTS,FAN COOLING CONVEYING SP	14
302H004560	2H004560	STOPPER PAPER	1
302H044110	2H044110	SENSOR ORIGINAL	8
302H731700	2H731700	GEAR Z21 CONT	18,19
302H731730	2H731730	GEAR Z34L MIDDLE	18
302HG44110	2HG44110	FAN MOTOR 50	14
302HG44120	2HG44120	FAN MOTOR PS40	14
302HN44010	2HN44010	FAN MOTOR	14
302HN44100	2HN44100	MOTOR REVERSE	6
302HN44210	2HN44210	FAN MOTOR	7
302HS31120	2HS31120	GEAR Z27L CLUTCH	5
302K002230	2K002230	ACTUATOR PAPER EMPTY	2
302K002880	2K002880	WORM-WHEEL ID SENSOR CLEANING	2
302K002890	2K002890	GEAR ID SENSOR CLEANING Z71R	2
302K003060	2K003060	GEAR SCREW WASTE Z13L	3
302K003110	2K003110	GEAR WASTE Z13L	3
302K003280	2K003280	SEAL CASE WASTE C	3
302K004020	2K004020	COVER FRONT TOP	1
302K004031	2K004031	COVER TRAY	1
302K004040	2K004040	COVER EXIT REAR	1
302K004050	2K004050	COVER EXIT FRONT	1
302K004060	2K004060	COVER RIGHT REAR	1
302K004100	2K004100	COVER LEFT LOW	1
302K004110	2K004110	COVER LEFT TOP	1
302K004121	2K004121	COVER ISU FRONT	8
302K004170	2K004170	LID CONTROLLER BOX	1
302K004180	2K004180	COVER TRAY LEFT	1
302K004320	2K004320	TRAY EJECT	6
302K015030	2K015030	GEAR Z20S-Z26L	3
302K015040	2K015040	GEAR Z50S	3
302K015230	2K015230	GEAR IDLE Z22S	2
302K015240	2K015240	GEAR JOINT Z26S	2
302K026120	2K026120	GEAR IDLE Z20S	2
302K028080	2K028080	ACTUATOR EXIT OVERFLOW LOW	6
302K028090	2K028090	ACTUATOR EXIT OVERFLOW UP	6
302K028260	2K028260	GEAR Z23S EXIT	6
302K031720	2K031720	GEAR BELT CLEANING DRIVE Z30L	2
302K031740	2K031740	GEAR BELT CLEANING DRIVE Z20L	2
302K046330	2K046330	FFC ENGINE1-2 SIG	15
302K046880	2K046880	FFC ENGINE-MAIN	15
302K093060	2K093060	LK-895	9
302K093110	2K093110	WT-895	1

Part.No.	Alternative.	Description	Fig.No.
302K093122	2K093122	DR-895A	14
302K093130	2K093130	DR-895B	14
302K093142	2K093142	DR-895C	14
302K093150	2K093150	PARTS MOUNT LED ASSY	8
302K093162	2K093162	PARTS ISU	8
302K094010	2K094010	PARTS EXIT UNIT SP	6
302K094031	2K094031	PARTS COVER RIGHT ASSY SP	7
302K094041	2K094041	PARTS PIPE TRANSFER CLEANING ASSY SP	2
302K094050	2K094050	PARTS TONER SUPPLY ASSY SP	2
302K094090	2K094090	PARTS MOTOR-DC ASSY C SP	9
302K094100	2K094100	PARTS DC MOTOR SP	2,3
302K094111	2K094111	PARTS PWB IH 100 ASSY SP	15
302K094122	2K094122	PARTS PWB IH 200 ASSY SP	15
302K094170	2K094170	PARTS PWB LSU CONNECT ASSY SP	9
302K094180	2K094180	PARTS PWB DRUM DLP CONNECT ASSY SP	2
302K094190	2K094190	PARTS PWB TRANSFER CONNECT ASSY SP	15
302K094200	2K094200	PARTS PWB RFID ASSY SP	15
302K094210	2K094210	PARTS PWB ENGINE CONNECT ASSY SP	15
302K094240	2K094240	PARTS LVU MAIN 100 SP	15
302K094250	2K094250	PARTS LVU MAIN 200 SP	15
302K094260	2K094260	PARTS HVU1 SP	15
302K094270	2K094270	PARTS HVU2 SP	15
302K094280	2K094280	PARTS TONER FULL DETECT ASSY SP	3
302K094290	2K094290	PARTS ID SENSOR ASSY ASSY SP	2
302K094300	2K094300	PARTS FAN MOTOR SP	15
302K094320	2K094320	PARTS CLUTCH 50 Z45L SP	14
302K094330	2K094330	PARTS ROLLER MIDDLE SP	5
302K094340	2K094340	PARTS ROLLER EXIT FD SP	6
302K094350	2K094350	PARTS ROLLER EXIT REVERSE SP	6
302K094370	2K094370	PARTS COVER REAR ASSY SP	1
302K094380	2K094380	PARTS COVER RIGHT TOP ASSY SP	1
302K094390	2K094390	PARTS ROLLER DU B SP	7
302K094400	2K094400	REGIST CLEANER	5
302K094420	2K094420	PARTS ROLLER REGIST RIGHT SP	7
302K094430	2K094430	PARTS COVER REAR ASSY E SP	1
302K302430	2K302430	HEATER DEHUMIDIFIER 120	3
302K302440	2K302440	HEATER DEHUMIDIFIER 240	3
302K302830	2K302830	ACTUATOR DECK FEED	2
302K304070	2K304070	COVER RIGHT LOW	1
302K304131	2K304131	COVER ISU LEFT	8
302K304150	2K304150	COVER ISU REAR	8
302K304290	2K304290	COVER EXIT FRONT TOP	1
302K305022	2K305022	COVER OPERATION LOW	16
302K305310	2K305310	SHEET OPERATION RIGHT E	16
302K305350	2K305350	SHEET OPERATION RIGHT G	16
302K305360	2K305360	SHEET OPERATION RIGHT F	16
302K305370	2K305370	SHEET OPERATION RIGHT I	16
302K305380	2K305380	SHEET OPERATION RIGHT S	16
302K305390	2K305390	SHEET OPERATION RIGHT P(B)	16
302K305400	2K305400	SHEET OPERATION RIGHT N	16

Part.No.	Alternative.	Description	Fig.No.	Part.No.	Alternative.	Description	Fig.No.
302K305410	2K305410	SHEET OPERATION RIGHT R	16	302KY44090	2KY44090	MOTOR ROTARY	18
302K306140	2K306140	ACTUATOR REGIST	5	302LC93080	2LC93080	FK-8506 IH	13
302K308020	2K308020	ACTUATOR MPF	5	302LC93090	2LC93090	FK-8507 IH	13
302K309080	2K309080	COVER CASSETTE	4	302LC94301	2LC94301	PARTS MOTOR-BL W20 DRUM SP	14
302K309120	2K309120	CURSOR CASSETTE REAR	4	302LC94380	2LC94380	PARTS FAN COOLING LSU 60 SP	14
302K309130	2K309130	CURSOR CASSETTE FRONT	4	302MW94070	2MW94070	PARTS LVU SUB 100 SP	15
302K309270	2K309270	CURSOR END	4	302MW94080	2MW94080	PARTS LVU SUB 200 SP	15
302K309410	2K309410	PLATE SIZE DETECTION	3	302MY05010	2MY05010	SHEET OPERATION LEFT E	16
302K317172	2K317172	GUIDE FFC LED C	8	302MY05030	2MY05030	SHEET OPERATION LEFT S	16
302K317250	2K317250	SWITCH RELEASE	8	302MY05040	2MY05040	SHEET OPERATION LEFT F	16
302K317350	2K317350	GEAR Z54	8	302MY05050	2MY05050	SHEET OPERATION LEFT P	16
302K317791	2K317791	SHEET FFC LED	8	302MY05060	2MY05060	SHEET OPERATION LEFT G	16
302K329040	2K329040	ACTUATOR DU	7	302MY05070	2MY05070	SHEET OPERATION LEFT I	16
302K334090	2K334090	SHEET CASSETTE C	4	302MY05080	2MY05080	SHEET OPERATION LEFT N	16
302K334100	2K334100	SHEET CASSETTE I	4	302MY05090	2MY05090	SHEET OPERATION LEFT R	16
302K334480	2K334480	LABEL COVER CAUTION 9NATIONS	7	302MY93010	2MY93010	DK-896	11
302K346400	2K346400	FFC MAIN-LED LAMP	8	302MY93020	2MY93020	DV-896Y	10
302K346410	2K346410	FFC MAIN-CCD	8	302MY93030	2MY93030	DV-896M	10
302K393173	2K393173	CT-475	4	302MY93040	2MY93040	DV-896C	10
302K394170	2K394170	PARTS LCD COLOR SP	16	302MY93050	2MY93050	DV-896K	10
302K394180	2K394180	PARTS SWITCH EXIT PAPER EMPTY SP	6	302MY93060	2MY93060	TR-896A	12
302K394190	2K394190	PARTS MOTOR LIFT ASSY SP	2	302MY93070	2MY93070	TR-896B	7
302K394210	2K394210	PARTS MOTOR ISU SP	8	302MY93080	2MY93080	FK-896	13
302K394230	2K394230	PARTS ROLLER REGIST LEFT SP	5	302MY93090	2MY93090	MC-896	11
302K394250	2K394250	PARTS ROLLER DU SP	7	302MY94010	2MY94010	PARTS COVER FRONT ASSY 25 J/A SP	1
302K394310	2K394310	PARTS GEAR REGIST Z28L-Z18L SP	5	302MY94020	2MY94020	PARTS COVER FRONT ASSY 25 E SP	1
302K394320	2K394320	PARTS GEAR MPF Z28 SP	5	302MY94030	2MY94030	PARTS OPERATION UNIT SP	16
302K394330	2K394330	PARTS GEAR REGIST Z24R SP	3	302MY94050	2MY94050	PARTS PWB MAIN ASSY SP	15
302K394340	2K394340	PARTS GEAR Z74R-Z22S EXIT SP	6	302MY94060	2MY94060	PARTS PWB MAIN ASSY SP EU	15
302K394350	2K394350	PARTS GEAR Z22S EXIT SP	6	302MY94080	2MY94080	PARTS MEMORY MODULE SP	15
302K394370	2K394370	PARTS GEAR Z18-Z63R SP	8	302MY94090	2MY94090	PARTS PWB ENGINE ASSY SP	15
302K394380	2K394380	PARTS GEAR Z18 SP	4	302MY94110	2MY94110	PARTS PWB PANEL MAIN ASSY SP	16
302K394400	2K394400	PARTS GEAR DU Z27L SP	7	302MY94120	2MY94120	PARTS CONVEYING UNIT SP	7
302K394460	2K394460	MPF ROLLER	5	302MZ94010	2MZ94010	PARTS COVER FRONT ASSY 20 J/A SP	1
302K394470	2K394470	PARTS MPF TABLE ASSY SP	7	302MZ94020	2MZ94020	PARTS COVER FRONT ASSY 20 E SP	1
302K394480	2K394480	PRIMARY FEED UNIT	5	303H605110	3H605110	LABEL MSP A	17
302K394491	2K394491	SEPARATION PAD	5	303H622331	3H622331	GEAR 20/65 IDLE	18
302K394501	2K394501	PARTS MPF UNIT	5	303J902370	3J902370	CUSHION ORIGINAL MAT	17
302K394550	2K394550	PARTS CONTACT-GLASS ASSY(C) SP	8	303JC04200	3JC04200	PLATE ORIGINAL	17
302K394560	2K394560	PARTS CONTACT-GLASS ASSY(I) SP	8	303K502080	3K502080	SPONGE ORIGINAL MAT	17
302K394590	2K394590	PARTS COVER ISU RIGHT ASSY A SP	8	303LJ94150	3LJ94150	PARTS SOLENOID FEED SHIFT SP	6
302K394621	2K394621	MPF ROLLER-PAD SET	5	303LL06100	3LL06100	COVER TABLE WIRE	17
302K394870	2K394870	PARTS COVER OPE LOW SET SP	16	303LL31260	3LL31260	GEAR Z32S LIFT	18
302K994321	2K994321	PARTS MOTOR-BL W20 SP	14	303LL34190	3LL34190	LABEL FACE UP 7NATIONS	17
302K994331	2K994331	PARTS MOTOR-BL W30 SP	14	303M802020	3M802020	LEFT HINGE	17
302K994360	2K994360	PARTS FAN COOLING LSU 60 SP	14	303M802320	3M802320	SPONGE ORIGINAL MAT A	17
302K994520	2K994520	PARTS GEAR Z32L SP	9	303M804011	3M804011	COVER FRONT	17
302KP29090	2KP29090	GEAR IDLE Z18S	6	303M804020	3M804020	COVER REAR	17
302KV94360	2KV94360	PARTS PWB ASSY THERMISTOR SP	15	303M804040	3M804040	COVER LEFT	17
302KY44010	2KY44010	MOTOR IMAGE	18	303M804050	3M804050	STOPPER EJECT	17

Part.No.	Alternative.	Description	Fig.No.	Part.No.	Alternative.	Description	Fig.No.
303M804060	3M804060	LID REAR COVER	17	7NXGP1S173LCH01	NX116910	SENSOR OPT.	2,3,5,6,7,8
303M804070	3M804070	COVER LED	17	7SC010105+++H01	SC125000	SW.SEESAW	3
303M804080	3M804080	LID INNER COVER	17	7SM010101+++H01	SM042310	SW.MICRO	3
303M804090	3M804090	COVER HINGE	17	7SM010303+++H01	SM037910	SW.MICRO	3
303M806050	3M806050	TRAY LOOP	17	7SP01000001+H01	SP044290	SW.PUSH	3
303M807060	3M807060	ACTUATOR ORIGINAL SET	19				
303M824090	3M824090	ACTUATOR FEED	19				
303M824110	3M824110	ACTUATOR REGISTRATION	18				
303M824191	3M824191	ACTUATOR TIMING	19				
303M834070	3M834070	LABEL HINGE CAUTION	17				
303M834090	3M834090	LABEL CAUTION ENG	19				
303M834111	3M834111	LABEL PAPER SET CAUTION ENG	17				
303M834121	3M834121	LABEL CAUTION SET 3NATIONS	19				
303M834131	3M834131	LABEL CAUTION SET 4NATIONS	19				
303M846010	3M846010	WIRE INTERFACE	19				
303M894010	3M894010	PARTS PWB DRIVE ASSY SP	19				
303M894021	3M894021	FEED ROLLER (DP)	19				
303M894030	3M894030	RETARD GUIDE (DP)	18				
303M894040	3M894040	RETARD ROLLER (DP)	18				
303M894051	3M894051	PARTS COVER PF ASSY SP	19				
303M894060	3M894060	PARTS TABLE ASSY SP	17				
303M894070	3M894070	PARTS GUIDE PF ASSY SP	18				
303M894080	3M894080	PARTS GUIDE READING ASSY SP	19				
303M894090	3M894090	PARTS CLUTCH 50 Z35R SP	18				
303M894100	3M894100	PARTS PWB LED ASSY SP	18				
303M894110	3M894110	PARTS ROLLER REGISTRATION SP	18				
303M894120	3M894120	PARTS ROLLER CONVEYING A SP	18				
303M894130	3M894130	PARTS ROLLER CONVEYING B SP	18				
303M894140	3M894140	PARTS ROLLER EXIT SP	18				
303M894150	3M894150	PARTS ROLLER LOOP SP	18				
303M894160	3M894160	PARTS GEAR Z41L Z58L Z76L SP	18				
303M894170	3M894170	PARTS GEAR Z32R SP	18				
303M894180	3M894180	PARTS GEAR Z38L SP	18				
303M894190	3M894190	PARTS GEAR Z33L SP	18				
303M894200	3M894200	PARTS GEAR Z34R Z26S SP	18				
303M894210	3M894210	PARTS GEAR Z29R SP	18				
303M894220	3M894220	PARTS GEAR Z29L ONEWAY SP	18				
303M894240	3M894240	PARTS GEAR Z39S SP	18				
303M894250	3M894250	PARTS GEAR LF Z29S SP	18				
303M894260	3M894260	PARTS SENSOR OPT SP	17,18,19				
303M894270	3M894270	PARTS PWB SIZE DETECTION ASSY SP	17				
303MX02021	3MX02021	CUSHION ORIGINAL MAT A	17				
303MX02031	3MX02031	CUSHION ORIGINAL MAT B	17				
36211500	36211500	GEAR,LEADING FEED JOINT	18,19				
3AK20130	3AK20130	GEAR,WORM MAIN TRAY	17				
3H327410	3H327410	SENSOR,CONVEYING	7				
3HL02240	3HL02240	PUSH SW DP	17				
5ESP03090001+01	SP000360	PUSH SWITCH 03 SN /SW-192 N	3				
65907210	65907210	GEAR 20,CASSETTE	17				
7AAACCAS+10H001	AA063380	AC CORD ASSY AS	2				

KYOCERA Document Solutions America, Inc.

Headquarters

225 Sand Road,
Fairfield, New Jersey 07004-0008, USA
Phone: +1-973-808-8444
Fax: +1-973-882-6000

Latin America

8240 NW 52nd Terrace Dawson Building, Suite 100
Miami, Florida 33166, USA
Phone: +1-305-421-6640
Fax: +1-305-421-6666

KYOCERA Document Solutions Canada, Ltd.

6120 Kestrel Rd., Mississauga, ON L5T 1S8,
Canada
Phone: +1-905-670-4425
Fax: +1-905-670-8116

**KYOCERA Document Solutions
Mexico, S.A. de C.V.**

Calle Arquimedes No. 130, 4 Piso, Colonia Polanco
Chapultepec, Delegacion Miguel Hidalgo,
Distrito Federal, C.P. 11560, México
Phone: +52-555-383-2741
Fax: +52-555-383-7804

KYOCERA Document Solutions Brazil, Ltda.

Av.Tambore,1180 Mod.B-09 CEP 06460-000
Tambore-Barueri-SP, Brazil
Phone: +55-11-4195-8496
Fax: +55-11-4195-6167

**KYOCERA Document Solutions
Australia Pty. Ltd.**

Level 3, 6-10 Talavera Road North Ryde N.S.W, 2113,
Australia
Phone: +61-2-9888-9999
Fax: +61-2-9888-9588

**KYOCERA Document Solutions
New Zealand Ltd.**

1-3 Parkhead Place, Albany, Auckland 1330,
New Zealand
Phone: +64-9-415-4517
Fax: +64-9-415-4597

KYOCERA Document Solutions Asia Limited

16/F.,Mita Centre, 552-566, Castle Peak Road
Tsuenwan, NT, Hong Kong
Phone: +852-2610-2181
Fax: +852-2610-2063

**KYOCERA Document Solutions
(Thailand) Corp., Ltd.**

335 Ratchadapisek Road, Bangsue, Bangkok 10800,
Thailand
Phone: +66-2-586-0333
Fax: +66-2-586-0278

**KYOCERA Document Solutions
Singapore Pte. Ltd.**

12 Tai Seng Street #04-01A,
Luxasia Building, Singapore 534118
Phone: +65-6741-8733
Fax: +65-6748-3788

**KYOCERA Document Solutions
Hong Kong Limited**

16/F.,Mita Centre, 552-566, Castle Peak Road
Tsuenwan, NT, Hong Kong
Phone: +852-2429-7422
Fax: +852-2423-2159

**KYOCERA Document Solutions
Taiwan Corporation**

6F., No.37, Sec. 3, Minquan E. Rd.,
Zhongshan Dist., Taipei 104, Taiwan R.O.C.
Phone: +886-2-2507-6709
Fax: +886-2-2507-8432

KYOCERA Document Solutions Korea Co., Ltd.

18F, Kangnam bldg, 1321-1,
Seocho-Dong, Seocho-Gu, Seoul, Korea
Phone: +822-6933-4050
Fax: +822-747-0084

**KYOCERA Document Solutions
India Private Limited**

First Floor, ORCHID CENTRE
Sector-53, Golf Course Road, Gurgaon 122 002,
India
Phone: +91-0124-4671000
Fax: +91-0124-4671001

KYOCERA Document Solutions Europe B.V.

Bloemlaan 4, 2132 NP Hoofddorp,
The Netherlands
Phone: +31-20-654-0000
Fax: +31-20-653-1256

KYOCERA Document Solutions Nederland B.V.

Beechavenue 25, 1119 RA Schiphol-Rijk,
The Netherlands
Phone: +31-20-5877200
Fax: +31-20-5877260

KYOCERA Document Solutions (U.K.) Limited

8 Beacontree Plaza,
Gillette Way Reading, Berkshire RG2 0BS,
United Kingdom
Phone: +44-118-931-1500
Fax: +44-118-931-1108

KYOCERA Document Solutions Italia S.p.A.

Via Verdi, 89/91 20063 Cernusco s/N.(MI),
Italy
Phone: +39-02-921791
Fax: +39-02-92179-600

KYOCERA Document Solutions Belgium N.V.

Sint-Martinusweg 199-201 1930 Zaventem,
Belgium
Phone: +32-2-7209270
Fax: +32-2-7208748

KYOCERA Document Solutions France S.A.S.

Espace Technologique de St Aubin
Route de l'Orme 91195 Gif-sur-Yvette CEDEX,
France
Phone: +33-1-69852600
Fax: +33-1-69853409

KYOCERA Document Solutions Espana, S.A.

Edificio Kyocera, Avda. de Manacor No.2,
28290 Las Matas (Madrid), Spain
Phone: +34-91-6318392
Fax: +34-91-6318219

KYOCERA Document Solutions Finland Oy

Atomitie 5C, 00370 Helsinki,
Finland
Phone: +358-9-47805200
Fax: +358-9-47805390

KYOCERA Document Solutions**Europe B.V., Amsterdam (NL) Zürich Branch**

Hohlstrasse 614, 8048 Zürich,
Switzerland
Phone: +41-44-9084949
Fax: +41-44-9084950

KYOCERA Document Solutions**Deutschland GmbH**

Otto-Hahn-Strasse 12, 40670 Meerbusch,
Germany
Phone: +49-2159-9180
Fax: +49-2159-918100

KYOCERA Document Solutions Austria GmbH

Eduard-Kittenberger-Gasse 95, 1230 Vienna,
Austria
Phone: +43-1-863380
Fax: +43-1-86338-400

KYOCERA Document Solutions Nordic AB

Esbogatan 16B 164 75 Kista, Sweden
Phone: +46-8-546-550-00
Fax: +46-8-546-550-10

KYOCERA Document Solutions Norge NUF

Postboks 150 Oppsal, 0619 Oslo,
Norway
Phone: +47-22-62-73-00
Fax: +47-22-62-72-00

KYOCERA Document Solutions Danmark A/S

Ejby Industrivej 60, DK-2600 Glostrup,
Denmark
Phone: +45-70223880
Fax: +45-45765850

KYOCERA Document Solutions Portugal Lda.

Rua do Centro Cultural, 41 (Alvalade) 1700-106 Lisboa,
Portugal
Phone: +351-21-843-6780
Fax: +351-21-849-3312

KYOCERA Document Solutions**South Africa (Pty) Ltd.**

49 Kyalami Boulevard,
Kyalami Business Park 1685 Midrand, South Africa
Phone: +27-11-540-2600
Fax: +27-11-466-3050

KYOCERA Document Solutions Russia LLC

Botanichesky pereulok 5, Moscow, 129090,
Russia
Phone: +7(495)741-0004
Fax: +7(495)741-0018

KYOCERA Document Solutions Middle East

Dubai Internet City, Bldg. 17,
Office 157 P.O. Box 500817, Dubai,
United Arab Emirates
Phone: +971-04-433-0412

KYOCERA Document Solutions Inc.

2-28, 1-chome, Tamatsukuri, Chuo-ku
Osaka 540-8585, Japan
Phone: +81-6-6764-3555
<http://www.kyoceradocumentsolutions.com>