

# **PARTS CATALOG**

## **MF6500 Series**

**Canon**

**Apr 15 2008**



## **PREFACE**

This Parts Catalog contains listings of parts used

Diagrams are provided with the listings to aid the service technician in identifying clearly, the item to be ordered.

Whenever ordering parts, consult this Parts Catalog for all of the information pertaining to each item. Be sure to include, in the Parts Request, the full item description, the item part number, and the quantity.

***COPYRIGHT (C) 1999 CANON INC.***

Use of this manual should be strictly supervised to avoid disclosure of confidential information.



# Contents

## NUMERICAL INDEX

MF6500 Series(Numerical Index) .....	1-1
--------------------------------------	-----

## MF6500 Series(Parts Catalog)

A1	ASSEMBLY LOCATION DIAGRAM .....	2-1
A2	OPTION PARTS CATALOG LIST .....	2-4
001	PACKAGE COMPONENTS .....	2-5
100	EXTERNAL COVERS, PANELS, ETC. ....	2-8
101	INTERNAL COMPONENTS 1 (OLD TYPE) .....	2-13
101A	INTERNAL COMPONENTS 1 (NEW TYPE) .....	2-17
102	INTERNAL COMPONENTS 2 .....	2-21
130	CONTROL PANEL ASSEMBLY .....	2-25
140	LEFT DOOR ASSEMBLY .....	2-27
161	ADF ASSEMBLY .....	2-29
162	DOCUMENT TRAY ASSEMBLY .....	2-31
163	OPEN/CLOSE PANEL ASSEMBLY .....	2-33
164	PAPER FEED ASSEMBLY (OLD TYPE) .....	2-35
164A	PAPER FEED ASSEMBLY (NEW TYPE BELT DRIVE) .....	2-38
210	READER ASSEMBLY .....	2-41
250	MAIN DRIVE ASSEMBLY .....	2-45
251	REVERSE DRIVE ASSEMBLY .....	2-47
300	CASSETTE (EXCEPT CN) .....	2-49
301	CASSETTE (CN ONLY) .....	2-51
310	PAPER PICK-UP ASSEMBLY .....	2-53
315	MULTI PAPER PICK-UP TRAY ASSEMBLY .....	2-55
320	REGISTRATION ASSEMBLY (OLD TYPE) .....	2-58
320A	REGISTRATION ASSEMBLY (NEW TYPE) .....	2-61
460	LASER SCANNER ASSEMBLY .....	2-63
810	FIXING ASSEMBLY .....	2-64
930	PCB ASSEMBLY .....	2-67
950	IMAGE PROCESSOR PCB ASSEMBLY .....	2-69
R30	CASSETTE .....	2-71



# NUMERICAL INDEX

## MF6500 Series(Numerical Index)

PARTS NUMBER	FIGURE & KEY NO.	PARTS NUMBER	FIGURE & KEY NO.	PARTS NUMBER	FIGURE & KEY NO
FB4-2007-000	320 - 20	FC6-7354-000	310 - 11	FC6-7396-000	310 - 19
FB4-2007-000	320A - 20	FC6-7354-000	R30 - 54	FC6-7396-000	R30 - 22
FB4-9817-030	310 - 8	FC6-7357-000	310 - 12	FC6-7399-030	101 - 27
FB4-9817-030	R30 - 52	FC6-7357-000	R30 - 55	FC6-7399-030	101A - 27
FB4-9820-000	310 - 2	FC6-7358-000	310 - 4	FC6-7400-000	101 - 2
FB4-9820-000	R30 - 47	FC6-7358-000	R30 - 49	FC6-7400-000	101 - 2
FB6-1337-000	210 - 1	FC6-7360-000	101 - 32	FC6-7401-000	320 - 1
FC5-4424-000	164 - 2	FC6-7360-000	101A - 32	FC6-7401-000	320A - 1
FC5-4424-000	164A - 2	FC6-7360-000	R30 - 25	FC6-7402-020	101 - 28
FC5-4424-000	210 - 2	FC6-7361-000	310 - 13	FC6-7402-020	101A - 28
FC5-4425-000	163 - 1	FC6-7361-000	R30 - 56	FC6-7403-000	101 - 29
FC5-4777-000	102 - 1	FC6-7362-000	101 - 33	FC6-7403-000	101A - 29
FC5-4849-000	310 - 10	FC6-7362-000	101A - 33	FC6-7404-000	101 - 30
FC5-4849-000	810 - 25	FC6-7362-000	R30 - 26	FC6-7404-000	101A - 30
FC5-4849-000	R30 - 1	FC6-7365-000	310 - 18	FC6-7405-000	101 - 58
FC5-4914-000	301 - 13	FC6-7365-000	R30 - 21	FC6-7406-020	320 - 2
FC5-4914-000	315 - 30	FC6-7366-000	310 - 5	FC6-7406-020	320A - 2
FC5-5256-000	100 - 14	FC6-7366-000	R30 - 50	FC6-7409-000	102 - 4
FC5-5393-000	R30 - 33	FC6-7367-000	310 - 6	FC6-7410-000	315 - 10
FC6-4511-000	210 - 22	FC6-7367-000	R30 - 51	FC6-7411-020	315 - 1
FC6-7309-000	102 - 44	FC6-7368-000	310 - 7	FC6-7412-000	315 - 25
FC6-7310-000	102 - 45	FC6-7370-000	300 - 13	FC6-7413-000	315 - 26
FC6-7311-000	102 - 46	FC6-7370-000	301 - 18	FC6-7414-000	320 - 3
FC6-7312-000	102 - 47	FC6-7372-000	300 - 4	FC6-7414-000	320A - 3
FC6-7313-000	102 - 48	FC6-7372-000	301 - 4	FC6-7415-000	315 - 2
FC6-7314-000	102 - 49	FC6-7372-000	R30 - 12	FC6-7416-000	315 - 27
FC6-7315-000	102 - 50	FC6-7374-000	300 - 9	FC6-7418-000	315 - 15
FC6-7316-000	102 - 60	FC6-7374-000	301 - 9	FC6-7419-000	315 - 16
FC6-7318-000	102 - 31	FC6-7374-000	R30 - 17	FC6-7420-000	315 - 17
FC6-7321-000	102 - 32	FC6-7376-000	300 - 6	FC6-7423-000	315 - 22
FC6-7322-030	102 - 33	FC6-7376-000	301 - 6	FC6-7424-000	315 - 23
FC6-7323-000	102 - 34	FC6-7376-000	R30 - 14	FC6-7425-000	315 - 24
FC6-7324-000	102 - 35	FC6-7377-000	300 - 1	FC6-7426-000	101 - 26
FC6-7325-000	102 - 36	FC6-7377-000	301 - 1	FC6-7426-000	101A - 26
FC6-7326-000	102 - 37	FC6-7377-000	R30 - 9	FC6-7427-000	315 - 4
FC6-7327-000	102 - 38	FC6-7378-000	301 - 16	FC6-7429-000	315 - 5
FC6-7328-020	102 - 2	FC6-7379-000	301 - 14	FC6-7430-000	315 - 6
FC6-7331-020	102 - 3	FC6-7380-000	300 - 7	FC6-7431-000	315 - 7
FC6-7334-000	100 - 1	FC6-7380-000	301 - 7	FC6-7432-000	315 - 8
FC6-7335-020	100 - 2	FC6-7380-000	R30 - 15	FC6-7434-000	101 - 5
FC6-7337-000	100 - 4	FC6-7382-000	300 - 2	FC6-7434-000	101A - 5
FC6-7339-000	100 - 5	FC6-7382-000	301 - 2	FC6-7435-000	320 - 4
FC6-7341-000	100 - 7	FC6-7382-000	R30 - 10	FC6-7436-000	320 - 5
FC6-7342-000	100 - 8	FC6-7384-000	R30 - 67	FC6-7436-000	320 - 5
FC6-7343-000	100 - 9	FC6-7385-000	300 - 12	FC6-7437-000	320 - 6
FC6-7346-000	100 - 11	FC6-7385-000	R30 - 66	FC6-7437-000	320 - 6
FC6-7347-000	100 - 12	FC6-7386-000	301 - 17	FC6-7438-000	320 - 11
FC6-7348-000	100 - 14	FC6-7388-000	300 - 12	FC6-7438-000	320 - 11
FC6-7352-000	310 - 9	FC6-7389-000	301 - 12	FC6-7439-000	320 - 12
FC6-7352-000	R30 - 53	FC6-7392-000	101 - 34	FC6-7439-000	320 - 12
FC6-7353-000	310 - 3	FC6-7392-000	101A - 34	FC6-7440-000	320 - 13
FC6-7353-000	R30 - 48	FC6-7392-000	R30 - 27	FC6-7440-000	320 - 13

# NUMERICAL INDEX

## MF6500 Series(Numerical Index)

PARTS NUMBER	FIGURE & KEY NO.	PARTS NUMBER	FIGURE & KEY NO.	PARTS NUMBER	FIGURE & KEY NO
FC6-7441-000	320 - 7	FC6-7477-000	101 - 52	FC6-7549-000	250 - 1
FC6-7441-000	320 - 7	FC6-7477-000	101A - 52	FC6-7552-000	102 - 5
FC6-7442-040	320 - 15	FC6-7478-000	810 - 36	FC6-7553-000	102 - 6
FC6-7442-040	320A - 15	FC6-7480-000	810 - 1	FC6-7554-000	102 - 52
FC6-7443-020	320 - 16	FC6-7481-000	810 - 2	FC6-7556-000	102 - 7
FC6-7443-020	320A - 16	FC6-7482-000	810 - 3	FC6-7557-000	102 - 8
FC6-7444-000	320 - 17	FC6-7483-000	810 - 4	FC6-7562-000	102 - 54
FC6-7444-000	320A - 17	FC6-7484-000	810 - 5	FC6-7563-000	100 - 20
FC6-7445-000	101 - 37	FC6-7485-000	810 - 6	FC6-7564-000	101 - 11
FC6-7445-000	101A - 37	FC6-7486-000	810 - 7	FC6-7564-000	101A - 11
FC6-7446-000	101 - 38	FC6-7487-000	810 - 20	FC6-7568-000	102 - 9
FC6-7446-000	101A - 38	FC6-7488-000	810 - 8	FC6-7574-000	102 - 42
FC6-7447-000	101 - 39	FC6-7489-000	810 - 9	FC6-7575-000	102 - 10
FC6-7447-000	101A - 39	FC6-7490-020	810 - 10	FC6-7576-000	102 - 56
FC6-7449-000	101 - 41	FC6-7491-000	810 - 11	FC6-7576-000	210 - 27
FC6-7449-000	101A - 41	FC6-7492-000	810 - 12	FC6-7577-000	102 - 11
FC6-7450-000	101 - 42	FC6-7493-000	810 - 13	FC6-7580-000	102 - 39
FC6-7450-000	101A - 42	FC6-7494-000	810 - 14	FC6-7581-000	102 - 26
FC6-7451-000	101 - 43	FC6-7495-000	810 - 15	FC6-7582-000	101 - 50
FC6-7452-000	140 - 1	FC6-7496-000	810 - 16	FC6-7582-000	101A - 50
FC6-7453-000	140 - 8	FC6-7497-000	810 - 21	FC6-7583-000	140 - 16
FC6-7454-000	140 - 2	FC6-7501-000	810 - 26	FC6-7585-000	210 - 29
FC6-7455-000	140 - 3	FC6-7502-020	810 - 27	FC6-7591-000	210 - 36
FC6-7456-000	140 - 4	FC6-7503-000	810 - 28	FC6-7592-000	210 - 23
FC6-7457-000	140 - 9	FC6-7505-000	810 - 22	FC6-7595-000	210 - 3
FC6-7458-060	140 - 5	FC6-7506-000	810 - 17	FC6-7598-000	210 - 4
FC6-7459-000	140 - 10	FC6-7507-000	810 - 18	FC6-7600-000	210 - 5
FC6-7460-000	140 - 11	FC6-7513-000	101 - 7	FC6-7601-000	210 - 33
FC6-7461-000	140 - 6	FC6-7513-000	101A - 7	FC6-7604-000	210 - 6
FC6-7462-000	320 - 8	FC6-7514-000	102 - 57	FC6-7606-000	210 - 7
FC6-7462-000	320 - 8	FC6-7517-000	251 - 1	FC6-7612-000	210 - 28
FC6-7463-000	320 - 9	FC6-7518-000	810 - 19	FC6-7615-000	210 - 8
FC6-7463-000	320 - 9	FC6-7519-000	101 - 9	FC6-7618-000	210 - 9
FC6-7464-000	101 - 44	FC6-7519-000	101A - 9	FC6-7621-000	210 - 10
FC6-7464-000	101A - 44	FC6-7521-000	140 - 19	FC6-7622-000	210 - 11
FC6-7465-000	101 - 45	FC6-7522-000	140 - 20	FC6-7626-000	210 - 13
FC6-7465-000	101A - 45	FC6-7523-000	102 - 55	FC6-7630-000	210 - 14
FC6-7466-000	140 - 7	FC6-7524-000	101 - 56	FC6-7632-000	210 - 15
FC6-7467-020	101 - 6	FC6-7524-000	101A - 56	FC6-7642-000	210 - 16
FC6-7467-020	101A - 6	FC6-7528-000	810 - 40	FC6-7643-000	210 - 24
FC6-7468-000	320 - 14	FC6-7529-000	810 - 41	FC6-7647-000	101 - 13
FC6-7468-000	320 - 14	FC6-7530-050	810 - 42	FC6-7647-000	101A - 13
FC6-7468-000	320 - 14	FC6-7533-000	101 - 24	FC6-7648-000	101 - 14
FC6-7468-000	320 - 14	FC6-7533-000	101A - 24	FC6-7649-000	101 - 15
FC6-7470-000	140 - 18	FC6-7541-000	100 - 21	FC6-7650-000	101 - 16
FC6-7472-000	101 - 53	FC6-7542-000	100 - 21	FC6-7650-000	101A - 16
FC6-7472-000	101A - 53	FC6-7543-000	100 - 21	FC6-7651-000	101 - 17
FC6-7473-000	140 - 17	FC6-7544-000	100 - 22	FC6-7651-000	101A - 17
FC6-7474-000	101 - 54	FC6-7545-000	100 - 15	FC6-7653-000	315 - 28
FC6-7474-000	101A - 54	FC6-7546-000	100 - 16	FC6-7661-000	R30 - 34
FC6-7476-000	101 - 49	FC6-7547-000	100 - 18	FC6-7663-000	R30 - 36
FC6-7476-000	101A - 49	FC6-7548-000	100 - 19	FC6-7664-000	R30 - 31



# NUMERICAL INDEX

## MF6500 Series(Numerical Index)

PARTS NUMBER	FIGURE & KEY NO.	PARTS NUMBER	FIGURE & KEY NO.	PARTS NUMBER	FIGURE & KEY NO
FC6-7668-000	R30 - 40	FC6-7769-000	164 - 39	FC7-5822-000	320A - 11
FC6-7669-000	R30 - 2	FC6-7769-000	164A - 39	FC7-5823-000	320A - 12
FC6-7670-000	R30 - 3	FC6-7770-000	164 - 44	FC7-5824-000	320A - 5
FC6-7671-000	R30 - 4	FC6-7770-000	164A - 44	FC7-5825-000	320A - 8
FC6-7672-000	R30 - 32	FC6-7772-000	164 - 13	FC7-5826-000	320A - 9
FC6-7673-000	R30 - 5	FC6-7772-000	164A - 13	FC7-5827-000	320A - 14
FC6-7674-000	R30 - 6	FC6-7776-000	163 - 8	FC7-5828-000	320A - 21
FC6-7675-000	R30 - 7	FC6-7784-000	161 - 4	FC7-5831-000	301 - 15
FC6-7676-000	R30 - 8	FC6-7786-000	161 - 5	FC7-7142-000	101A - 2
FC6-7677-000	R30 - 68	FC6-7787-000	163 - 17	FC7-7143-000	101A - 58
FC6-7718-000	161 - 1	FC6-7789-000	163 - 18	FC7-7144-000	101A - 55
FC6-7719-000	161 - 2	FC6-7790-000	164 - 15	FC7-7145-000	101A - 59
FC6-7722-000	161 - 6	FC6-7790-000	164A - 15	FC7-7147-000	140 - 22
FC6-7730-000	164 - 6	FC6-8971-000	163 - 15	FC7-7150-000	101A - 15
FC6-7730-000	164A - 6	FC6-8973-000	162 - 8	FC7-7151-000	101A - 43
FC6-7731-000	164 - 7	FC6-8973-000	164 - 16	FC7-7152-020	320A - 13
FC6-7731-000	164A - 7	FC6-8973-000	164A - 16	FC7-7632-000	210 - 47
FC6-7732-000	161 - 7	FC7-0534-000	210 - 17	FC7-9933-000	102 - 35
FC6-7733-000	161 - 8	FC7-0540-020	102 - 40	FC8-6748-000	100 - 3
FC6-7733-000	164 - 8	FC7-0541-020	102 - 41	FC8-6749-000	100 - 4
FC6-7733-000	164A - 8	FC7-0542-000	164 - 17	FC8-6750-000	100 - 5
FC6-7734-000	161 - 9	FC7-0542-000	164A - 17	FC8-6752-000	100 - 11
FC6-7736-000	164 - 38	FC7-0545-000	163 - 9	FC8-6753-000	100 - 12
FC6-7736-000	164A - 38	FC7-0546-000	164 - 18	FC8-6754-000	100 - 15
FC6-7737-000	164 - 43	FC7-0546-000	164A - 18	FC8-6755-000	100 - 18
FC6-7737-000	164A - 43	FC7-0547-000	102 - 27	FC8-6756-000	100 - 19
FC6-7738-000	164 - 9	FC7-0548-000	315 - 29	FC8-6757-000	210 - 8
FC6-7738-000	164A - 9	FC7-0549-000	315 - 29	FC8-6758-000	210 - 13
FC6-7740-000	163 - 2	FC7-0550-000	315 - 29	FC8-6759-000	210 - 15
FC6-7745-000	163 - 4	FC7-0552-000	161 - 10	FC8-6760-000	210 - 11
FC6-7746-000	163 - 5	FC7-0553-000	161 - 11	FC8-6761-000	100 - 13
FC6-7747-000	163 - 6	FC7-0557-000	162 - 15	FH2-7192-000	001 - 6
FC6-7748-000	163 - 12	FC7-0559-000	162 - 7	FH2-7200-000	001 - 12
FC6-7750-000	162 - 1	FC7-2792-000	164 - 4	FH7-7611-030	101 - 51
FC6-7751-000	162 - 2	FC7-2792-000	164A - 4	FH7-7611-030	101A - 51
FC6-7754-000	162 - 4	FC7-2793-000	164 - 5	FK2-0949-000	950 - IC140
FC6-7755-000	162 - 5	FC7-2793-000	164A - 5	FK2-1371-000	930 - 2
FC6-7756-000	162 - 6	FC7-2800-000	164 - 32	FK2-1373-000	930 - 2
FC6-7758-000	164 - 33	FC7-2800-000	164A - 32	FK2-1375-000	930 - 2
FC6-7758-000	164A - 33	FC7-2989-000	300 - 5	FK2-1377-000	210 - 37
FC6-7759-000	164 - 34	FC7-2989-000	301 - 5	FK2-1378-000	101 - 18
FC6-7759-000	164A - 34	FC7-2989-000	R30 - 13	FK2-1378-000	101A - 18
FC6-7760-000	164 - 10	FC7-2990-000	300 - 10	FK2-1383-000	210 - 34
FC6-7760-000	164A - 10	FC7-2990-000	301 - 10	FK2-1385-000	102 - 12
FC6-7761-000	163 - 7	FC7-2990-000	R30 - 18	FK2-1386-000	102 - 43
FC6-7763-000	164 - 11	FC7-5047-000	101 - 40	FK2-1392-030	161 - 12
FC6-7763-000	164A - 11	FC7-5047-000	101A - 40	FK2-1393-000	164 - 36
FC6-7764-020	164 - 12	FC7-5051-000	100 - 3	FK2-1393-000	164A - 36
FC6-7764-020	164A - 12	FC7-5052-000	100 - 13	FK2-1394-000	102 - 13
FC6-7765-000	163 - 13	FC7-5818-000	101A - 14	FK2-1395-000	102 - 14
FC6-7766-000	163 - 14	FC7-5819-000	320A - 6	FK2-1396-000	102 - 15
FC6-7767-000	161 - 3	FC7-5820-000	320A - 7	FK2-1398-000	210 - 31

# NUMERICAL INDEX

## MF6500 Series(Numerical Index)

PARTS NUMBER	FIGURE & KEY NO.	PARTS NUMBER	FIGURE & KEY NO.	PARTS NUMBER	FIGURE & KEY NO
FK2-1399-000	210 - 18	FL2-3897-000	315 - 9	FM2-4926-000	102 - 20
FK2-1400-000	102 - 16	FL2-3898-020	315 - 11	FM2-4927-000	101 - 10
FK2-1401-000	101 - 57	FL2-3899-000	315 - 18	FM2-4927-000	101A - 10
FK2-1401-000	101A - 57	FL2-3900-000	320 - 10	FM2-4928-000	101 - 19
FK2-1408-000	251 - 2	FL2-3900-000	320 - 10	FM2-4928-000	101A - 19
FK2-1410-000	101 - 8	FL2-3901-000	140 - 24	FM2-4930-000	102 - 21
FK2-1410-000	101A - 8	FL2-3901-000	320A - 10	FM2-4931-000	310 - 28
FK2-1412-000	310 - 1	FL2-3902-000	100 - 6	FM2-4935-000	102 - 22
FK2-1412-000	R30 - 23	FL2-3903-000	100 - 6	FM2-4937-000	102 - 23
FK2-1415-000	100 - 17	FL2-3904-000	100 - 6	FM2-4938-000	102 - 24
FK2-1528-000	001 - 7	FL2-3905-000	100 - 6	FM2-4939-000	210 - 21
FK2-1530-020	001 - 7	FL2-3906-000	100 - 6	FM2-4940-000	102 - 25
FK2-1532-000	001 - 7	FL2-3908-000	810 - 30	FM2-4945-000	102 - 28
FK2-1533-000	001 - 7	FL2-3910-000	101 - 48	FM2-4946-000	161 - 15
FK2-1535-000	001 - 7	FL2-3910-000	101A - 48	FM2-4947-000	164 - 1
FK2-1536-000	001 - 7	FL2-3929-000	210 - 35	FM2-4947-000	164A - 1
FK2-1537-020	001 - 7	FL2-3932-000	210 - 20	FM2-4948-000	161 - 14
FK2-1538-000	001 - 7	FL2-3933-000	210 - 19	FM2-4949-000	102 - 20
FK2-1539-000	001 - 7	FL2-3935-000	210 - 20	FM2-4950-000	161 - 15
FK2-1540-000	001 - 7	FL2-3936-000	210 - 20	FM2-4969-000	163 -
FK2-1541-000	001 - 7	FL2-3937-000	210 - 20	FM2-4971-000	164 - 3
FK2-1542-000	001 - 7	FL2-3938-000	210 - 19	FM2-4974-000	161 - 16
FK2-1825-000	210 - 30	FL2-3939-000	210 - 19	FM2-4979-000	164 - 35
FK2-1826-000	001 - 1	FL2-3940-000	210 - 19	FM2-5042-080	950 - 1
FK2-3208-000	930 - 2	FL2-3941-000	210 - 12	FM2-5043-080	950 - 1
FK2-5334-000	001 - 7	FL2-3944-000	100 - 10	FM2-5046-000	950 - 2
FK2-5335-000	001 - 7	FL2-3952-000	R30 - 37	FM2-5047-000	102 - 51
FK2-5951-000	001 - 7	FL2-3981-000	162 - 10	FM2-5048-000	102 - 29
FK2-5953-000	001 - 7	FL2-3982-020	163 - 10	FM2-5049-000	102 - 30
FK2-5957-000	001 - 7	FL2-3984-000	161 - 13	FM2-5050-000	102 - 30
FK2-5958-000	001 - 7	FL2-3985-000	162 - 3	FM2-5051-000	102 - 30
FK2-5960-000	001 - 7	FL2-3986-020	163 - 16	FM2-5054-080	950 - 3
FL2-3872-000	100 - 6	FL2-3987-000	162 - 9	FM2-5055-000	950 - 1
FL2-3873-000	100 - 6	FL2-3988-000	163 - 11	FM2-5235-000	130 -
FL2-3874-000	100 - 6	FL2-3989-000	163 - 3	FM2-5236-000	130 -
FL2-3875-000	100 - 6	FL2-3990-000	164 - 14	FM2-5239-000	130 -
FL2-3876-000	100 - 6	FL2-3990-000	164A - 14	FM2-5240-000	130 -
FL2-3877-000	100 - 6	FL3-0151-000	100 - 6	FM2-5241-020	130 -
FL2-3878-000	100 - 6	FL3-0152-000	100 - 6	FM2-5242-000	130 -
FL2-3879-000	100 - 6	FL3-0153-000	100 - 6	FM2-5245-000	130 -
FL2-3880-000	100 - 6	FL3-0154-000	100 - 6	FM2-5246-000	130 -
FL2-3881-000	100 - 6	FL3-0158-000	100 - 10	FM2-5271-000	460 -
FL2-3882-000	100 - 6	FL3-0159-000	210 - 20	FM2-5274-000	315 - 19
FL2-3883-000	100 - 6	FL3-0160-000	210 - 19	FM2-5278-000	810 -
FL2-3887-000	101 - 35	FM2-3947-000	102 - 18	FM2-5280-000	810 - 24
FL2-3887-000	101A - 35	FM2-4055-000	950 - 2	FM2-5283-000	251 - 3
FL2-3887-000	310 - 14	FM2-4912-040	930 - 1	FM2-5284-000	251 - 4
FL2-3887-000	R30 - 28	FM2-4913-040	930 - 1	FM2-5295-000	810 - 24
FL2-3889-000	300 - 3	FM2-4915-000	930 - 1	FM2-5296-000	810 - 24
FL2-3889-000	R30 - 11	FM2-4918-000	102 - 53	FM2-5297-000	810 -
FL2-3891-000	301 - 3	FM2-4921-000	930 - 3	FM2-5298-000	810 -
FL2-3892-000	320A - 4	FM2-4922-000	102 - 19	FM2-5311-000	130 -

# NUMERICAL INDEX

## MF6500 Series(Numerical Index)

PARTS NUMBER	FIGURE & KEY NO.	PARTS NUMBER	FIGURE & KEY NO.	PARTS NUMBER	FIGURE & KEY NO
FM2-5327-000	101 - 4	FU6-2413-000	301 - 19	FU7-0024-000	101 - 22
FM2-5327-000	101A - 4	FU6-2414-000	320A - 19	FU7-0025-000	315 - 20
FM2-5328-000	101 - 4	FU6-2415-000	101A - 31	FU7-0026-000	315 - 21
FM2-5328-000	101A - 4	FU6-2416-000	320A - 22	FU7-0027-000	101A - 22
FM2-5329-000	101 - 4	FU6-2421-000	101 - 31	FU7-0029-000	101 - 12
FM2-5329-000	101A - 4	FU6-2421-000	101 - 31	FU7-0029-000	101A - 12
FM2-5331-000	101 - 4	FU6-2422-000	101 - 55	FU7-0031-000	251 - 8
FM2-5331-000	101A - 4	FU6-2422-000	101 - 55	FU7-0032-000	140 - 15
FM2-5334-000	140 - 21	FU6-2423-000	315 - 3	FU7-0034-000	810 - 34
FM2-5882-000	R30 - 20	FU6-2424-000	315 - 12	FU7-0035-000	101 - 23
FM2-6095-000	950 - 1	FU6-2425-000	315 - 13	FU7-0035-000	101A - 23
FM2-6096-000	950 - 1	FU6-2431-000	320 - 19	FU7-0036-000	251 - 5
FM2-6097-000	950 - 3	FU6-2431-000	320 - 19	FU7-0039-000	251 - 6
FM2-8207-000	164A - 48	FU6-2432-000	101 - 46	FU7-0040-000	251 - 7
FM2-8208-000	164A - 35	FU6-2432-000	101A - 46	FU7-0044-000	102 - 17
FM2-8363-000	210 - 32	FU6-2433-000	101 - 47	FU7-0045-000	250 - 2
FM2-8848-000	164A - 3	FU6-2433-000	101A - 47	FU7-0046-000	250 - 3
FM3-2397-000	101 - 47	FU6-2434-000	140 - 12	FU7-0047-000	250 - 4
FM3-2400-000	102 - 61	FU6-2435-000	140 - 13	FU7-0048-000	250 - 5
FM3-5516-000	101 - 10	FU6-2436-000	140 - 14	FU7-0049-000	250 - 6
FM3-5516-000	101A - 10	FU6-2446-000	140 - 23	FU7-0050-000	250 - 7
FM3-7227-000	130 -	FU6-2462-000	210 - 39	FU7-0051-000	250 - 8
FM3-7228-000	130 -	FU6-2471-000	810 - 32	FU7-0052-000	250 - 9
FM3-7229-000	130 -	FU6-2472-000	810 - 33	FU7-0053-000	250 - 10
FU5-1626-000	163 - 28	FU6-2473-000	810 - 31	FU7-0054-000	310 - 29
FU5-1626-000	164 - 20	FU6-2474-000	810 - 23	FU7-0089-000	R30 - 43
FU5-1626-000	164A - 20	FU6-2486-000	R30 - 35	FU7-0090-000	R30 - 44
FU5-2103-000	210 - 38	FU6-2487-000	R30 - 38	FU7-0091-000	R30 - 45
FU5-4953-000	210 - 25	FU6-2488-000	R30 - 41	FU7-0092-000	R30 - 46
FU5-8875-000	161 - 17	FU6-2489-000	R30 - 59	FU7-0104-000	164 - 22
FU5-8876-000	161 - 17	FU6-2490-000	R30 - 39	FU7-0104-000	164A - 22
FU5-8877-000	161 - 17	FU6-2506-000	164 - 21	FU7-0105-000	164 - 23
FU5-8878-000	161 - 17	FU6-2506-000	164A - 21	FU7-0105-000	164A - 23
FU5-8879-000	161 - 18	FU6-2507-000	162 - 11	FU7-0106-000	164 - 40
FU5-8880-000	161 - 18	FU6-2508-000	162 - 12	FU7-0106-000	164A - 40
FU5-8881-000	161 - 18	FU6-2510-000	164 - 37	FU7-0107-000	164 - 41
FU5-9340-000	950 - 4	FU6-2510-000	164A - 37	FU7-0107-000	164A - 41
FU6-2406-000	310 - 15	FU7-0009-000	310 - 21	FU7-0108-000	164 - 24
FU6-2406-000	R30 - 57	FU7-0009-000	R30 - 42	FU7-0108-000	164A - 24
FU6-2407-000	310 - 16	FU7-0010-000	310 - 22	FU7-0109-000	164 - 47
FU6-2407-000	R30 - 58	FU7-0010-000	R30 - 60	FU7-0110-000	164 - 45
FU6-2408-020	300 - 11	FU7-0011-000	310 - 23	FU7-0110-000	164A - 45
FU6-2408-020	301 - 11	FU7-0011-000	R30 - 61	FU7-0111-000	164 - 46
FU6-2408-020	R30 - 19	FU7-0012-000	310 - 24	FU7-0111-000	164A - 46
FU6-2410-000	300 - 8	FU7-0012-000	R30 - 62	FU7-0112-000	164 - 25
FU6-2410-000	301 - 8	FU7-0013-000	310 - 25	FU7-0112-000	164A - 25
FU6-2410-000	R30 - 16	FU7-0013-000	R30 - 63	FU7-0113-000	164 - 26
FU6-2411-000	310 - 20	FU7-0014-000	310 - 26	FU7-0113-000	164A - 26
FU6-2411-000	R30 - 24	FU7-0014-000	R30 - 64	FU7-0114-000	164 - 19
FU6-2412-000	101 - 36	FU7-0015-000	310 - 27	FU7-0114-000	164A - 19
FU6-2412-000	101A - 36	FU7-0015-000	R30 - 65	FU7-0115-000	164 - 27
FU6-2412-000	R30 - 30	FU7-0024-000	101 - 22	FU7-0115-000	164A - 27

# NUMERICAL INDEX

## MF6500 Series(Numerical Index)

PARTS NUMBER	FIGURE & KEY NO.	PARTS NUMBER	FIGURE & KEY NO.	PARTS NUMBER	FIGURE & KEY NO
FU7-0116-000	164 - 28	WG8-5696-000	161 - 19	XB4-7401-007	320 - 501
FU7-0116-000	164A - 28	WG8-5696-000	164 - 31	XB4-7401-007	320A - 501
FU7-0117-020	164 - 29	WG8-5696-000	164A - 31	XB4-7401-007	R30 - 502
FU7-0117-020	164A - 29	WG8-5776-000	210 - 40	XB6-7300-605	102 - 501
FU7-0118-000	163 - 21	WG8-5776-000	310 - 17	XB6-7300-605	161 - 501
FU7-0119-000	163 - 22	WG8-5776-000	315 - 14	XB6-7300-605	164 - 501
FU7-0120-000	163 - 23	WG8-5776-000	320 - 18	XB6-7300-605	164A - 501
FU7-0121-000	163 - 19	WG8-5776-000	320A - 18	XB6-7300-607	101 - 501
FU7-0122-000	163 - 25	WG8-5776-000	810 - 37	XB6-7300-607	101A - 501
FU7-0123-000	163 - 26	WG8-5776-000	R30 - 29	XB6-7300-607	210 - 501
FU7-0124-000	163 - 27	WK1-5130-000	950 - BAT1	XD1-4200-402	101 - 503
FU7-0125-000	163 - 24	WP2-5254-000	101 - 51	XD1-4200-402	101A - 503
FU7-0126-000	162 - 13	WP2-5254-000	101A - 51	XD9-0134-000	251 - 10
FU7-0127-000	164 - 30	WT2-5056-000	101 - 1	XD9-0134-000	810 - 39
FU7-0127-000	164A - 30	WT2-5056-000	101A - 1	XD9-0136-000	163 - 20
FU7-0128-000	164A - 47	WT2-5056-000	251 - 11	XD9-0136-000	164 - 42
HB1-5222-000	001 - 2	WT2-5621-000	102 - 59	XD9-0136-000	164 - 48
HB1-5223-000	001 - 3	WT2-5694-000	101 - 3	XD9-0136-000	164A - 42
HB1-5224-000	001 - 4	WT2-5694-000	101A - 3	XD9-0136-000	164A - 50
HH2-2824-000	001 - 8	WT2-5694-000	161 - 20	XD9-0136-000	210 - 44
HK1-0175-000	001 - 13	WT2-5760-000	101 - 20	XF2-4607-230	210 - 45
HK1-0544-000	001 - 9	WT2-5760-000	101A - 20	XF2-4665-530	210 - 26
HK1-0547-000	001 - 11	WT2-5812-000	101 - 21	XF9-0760-000	164A - 49
HK1-0550-000	001 - 10	WT2-5812-000	101A - 21		
NPN	001 -	XA9-0429-000	001 - 5		
NPN	100 -	XA9-0679-000	210 - 41		
NPN	101 -	XA9-0702-000	810 - 38		
NPN	101A -	XA9-0874-000	162 - 14		
NPN	102 -	XA9-1116-030	210 - 42		
NPN	140 -	XA9-1567-000	101 - 25		
NPN	161 -	XA9-1567-000	101A - 25		
NPN	162 -	XA9-1567-000	102 - 58		
NPN	164 -	XA9-1567-000	210 - 43		
NPN	164A -	XA9-1567-000	251 - 9		
NPN	210 -	XA9-1567-000	930 - 4		
NPN	250 -	XB1-2300-409	210 - 502		
NPN	251 -	XB1-2400-605	101 - 502		
NPN	300 -	XB1-2400-605	101A - 502		
NPN	301 -	XB4-5301-005	163 - 501		
NPN	310 -	XB4-5301-005	164 - 502		
NPN	315 -	XB4-5301-005	164A - 502		
NPN	320 -	XB4-5401-005	310 - 501		
NPN	320A -	XB4-5401-007	140 - 501		
NPN	930 -	XB4-5401-205	161 - 502		
NPN	950 -	XB4-7301-005	001 - 502		
NPN	R30 -	XB4-7301-207	001 - 501		
RB2-2973-000	810 - 35	XB4-7400-807	300 - 501		
VT2-5177-005	950 - 5	XB4-7400-807	301 - 501		
WE8-6218-000	210 - 46	XB4-7400-807	R30 - 501		
WE8-6383-000	102 - 62	XB4-7401-007	100 - 501		
WE8-6388-000	102 - 63	XB4-7401-007	101 - 504		
WE8-6406-000	001 - 14	XB4-7401-007	101A - 504		

# MF6500 Series(Parts Catalog)

imageCLASS MF6595cx

120V US          F19-0234-000   DKD                      FAX model

imageCLASS MF6595

120V US          F19-0234-000   DKE                      FAX model

imageCLASS MF6590

120V US          F19-0233-000   DKF                      FAX model

imageCLASS MF6580cx

120V US          F18-9134-000   SRT                      FAX model

imageCLASS MF6580

120V              F18-9134-000   SNL                      FAX model

imageCLASS MF6570

230V KR          F18-9171-000   SNW                      FAX model

imageCLASS MF6560cx

120V US          F18-9133-000   SRS                      FAX model

imageCLASS MF6560

120V              F18-9133-000   SNK                      FAX model

### imageCLASS MF6550

<b>120V</b>	<b>F18-9131-000</b>	<b>SLY</b>	FAX model
<b>120V</b>	<b>F18-9131-000</b>	<b>SNN</b>	FAX model
<b>230V</b>	<b>F18-9141-000</b>	<b>SNT</b>	FAX model
<b>230V CN</b>	<b>F18-9160-000</b>	<b>SNU</b>	FAX model
<b>230V KR</b>	<b>F18-9170-000</b>	<b>SNV</b>	FAX model

### imageCLASS MF6540

<b>120V US</b>	<b>F19-0232-000</b>	<b>DKG</b>	
----------------	---------------------	------------	--

### imageCLASS MF6531

<b>120V US</b>	<b>F18-9136-000</b>	<b>SNH</b>	
----------------	---------------------	------------	--

### imageCLASS MF6530

<b>120V US</b>	<b>F18-9132-000</b>	<b>DKM</b>	
<b>120V</b>	<b>F18-9132-000</b>	<b>SLX</b>	
<b>120V</b>	<b>F18-9132-000</b>	<b>SNM</b>	

### imageCLASS MF6520

<b>120V US</b>	<b>F19-0231-000</b>	<b>DKH</b>	
----------------	---------------------	------------	--

### i-SENSYS MF6580PL

<b>230V EUR</b>	<b>F18-9194-000</b>	<b>SNR</b>	FAX model
<b>230V EUR</b>	<b>F18-9194-000</b>	<b>SPF</b>	FAX model
<b>230V EUR</b>	<b>F18-9194-000</b>	<b>SPJ</b>	FAX model

## i-SENSYS MF6560PL

<b>230V EUR</b>	<b>F18-9193-000</b>	<b>SNQ</b>	FAX model
<b>230V EUR</b>	<b>F18-9193-000</b>	<b>SPD</b>	FAX model
<b>230V EUR</b>	<b>F18-9193-000</b>	<b>SPH</b>	FAX model

## i-SENSYS MF6550

<b>230V EUR</b>	<b>F18-9191-000</b>	<b>SNG</b>	FAX model
<b>230V EUR</b>	<b>F18-9191-000</b>	<b>SPB</b>	FAX model
<b>230V EUR</b>	<b>F18-9191-000</b>	<b>SPG</b>	FAX model

## i-SENSYS MF6540PL

<b>230V EUR</b>	<b>F18-9195-000</b>	<b>SNP</b>
<b>230V EUR</b>	<b>F18-9195-000</b>	<b>SPC</b>

## i-SENSYS MF6530

<b>230V EUR</b>	<b>F18-9192-000</b>	<b>SNF</b>
<b>230V EUR</b>	<b>F18-9192-000</b>	<b>SNX</b>

## LaserBase MF6580PL

<b>230V EUR</b>	<b>F18-9194-000</b>	<b>GAC</b>	FAX model
<b>230V EUR</b>	<b>F18-9194-000</b>	<b>SAC</b>	FAX model
<b>230V EUR</b>	<b>F18-9194-000</b>	<b>XAC</b>	FAX model

## LaserBase MF6560PL

<b>230V EUR</b>	<b>F18-9193-000</b>	<b>FAC</b>	FAX model
<b>230V EUR</b>	<b>F18-9193-000</b>	<b>QAC</b>	FAX model
<b>230V EUR</b>	<b>F18-9193-000</b>	<b>WAC</b>	FAX model

## LaserBase MF6550

<b>230V EUR</b>	<b>F18-9191-000</b>	<b>DAC</b>	FAX model
<b>230V EUR</b>	<b>F18-9191-000</b>	<b>NAC</b>	FAX model
<b>230V EUR</b>	<b>F18-9191-000</b>	<b>VAC</b>	FAX model

## LaserBase MF6540PL

<b>230V EUR</b>	<b>F18-9195-000</b>	<b>EAC</b>
<b>230V EUR</b>	<b>F18-9195-000</b>	<b>PAC</b>

## LaserBase MF6530

<b>230V EUR</b>	<b>F18-9192-000</b>	<b>BAC</b>
<b>230V EUR</b>	<b>F18-9192-000</b>	<b>HAC</b>

## Satera MF6570

<b>100V</b>	<b>F18-9116-000</b>	<b>SNJ</b>	FAX model
-------------	---------------------	------------	-----------

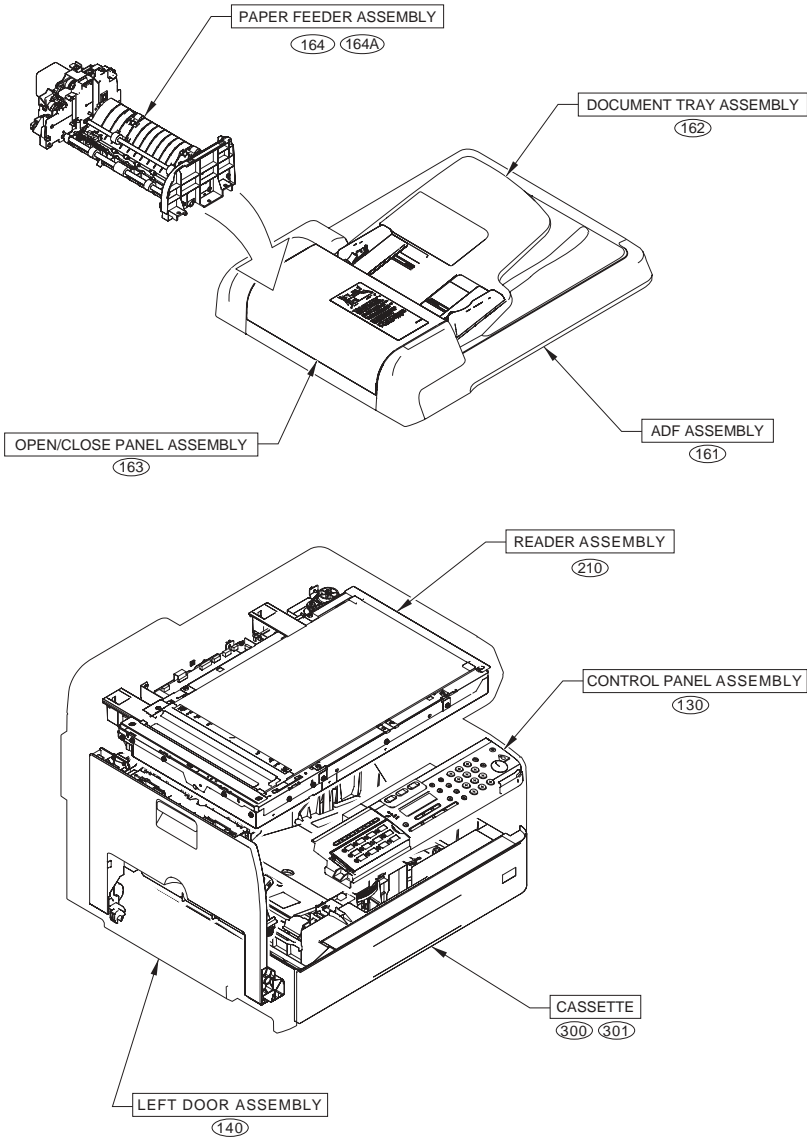


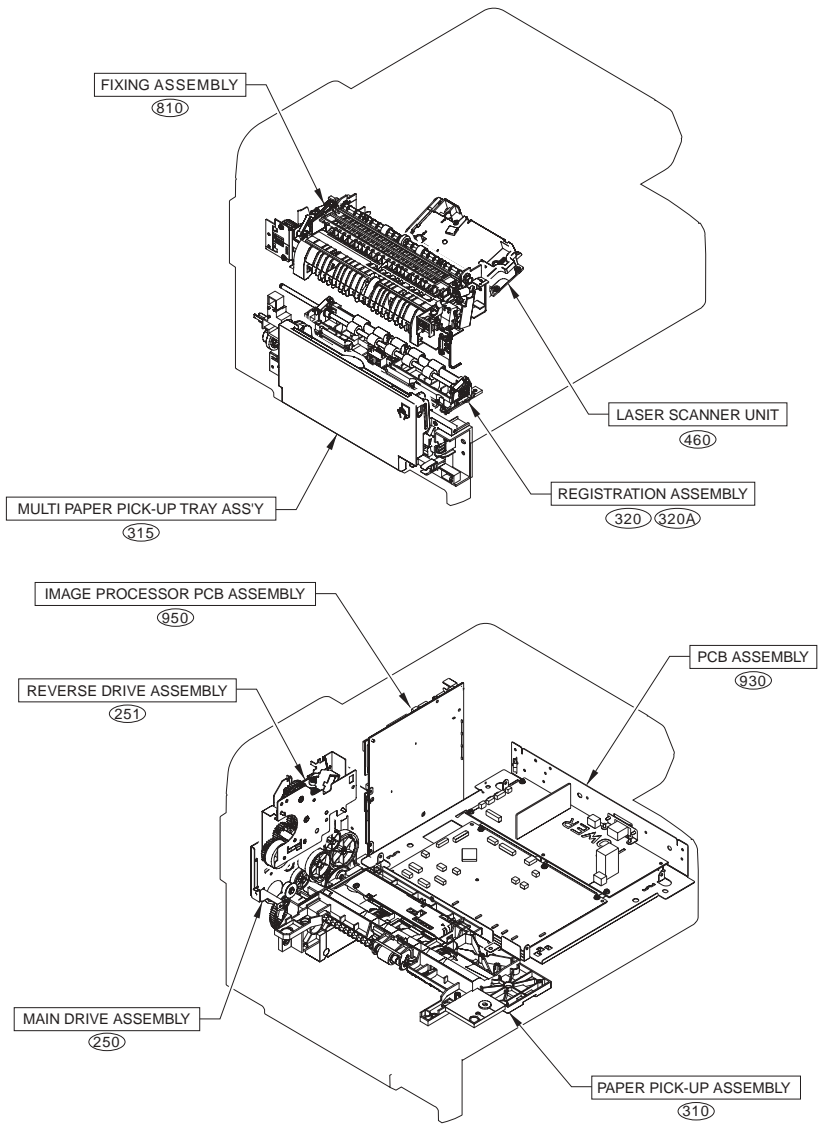
# Contents

A1	ASSEMBLY LOCATION DIAGRAM .....	2-1
A2	OPTION PARTS CATALOG LIST .....	2-4
001	PACKAGE COMPONENTS .....	2-5
100	EXTERNAL COVERS, PANELS, ETC. ....	2-8
101	INTERNAL COMPONENTS 1 (OLD TYPE) .....	2-13
101A	INTERNAL COMPONENTS 1 (NEW TYPE) .....	2-17
102	INTERNAL COMPONENTS 2 .....	2-21
130	CONTROL PANEL ASSEMBLY .....	2-25
140	LEFT DOOR ASSEMBLY .....	2-27
161	ADF ASSEMBLY .....	2-29
162	DOCUMENT TRAY ASSEMBLY .....	2-31
163	OPEN/CLOSE PANEL ASSEMBLY .....	2-33
164	PAPER FEED ASSEMBLY (OLD TYPE).....	2-35
164A	PAPER FEED ASSEMBLY (NEW TYPE BELT DRIVE).....	2-38
210	READER ASSEMBLY.....	2-41
250	MAIN DRIVE ASSEMBLY.....	2-45
251	REVERSE DRIVE ASSEMBLY .....	2-47
300	CASSETTE (EXCEPT CN).....	2-49
301	CASSETTE (CN ONLY).....	2-51
310	PAPER PICK-UP ASSEMBLY.....	2-53
315	MULTI PAPER PICK-UP TRAY ASSEMBLY.....	2-55
320	REGISTRATION ASSEMBLY (OLD TYPE).....	2-58
320A	REGISTRATION ASSEMBLY (NEW TYPE).....	2-61
460	LASER SCANNER ASSEMBLY .....	2-63
810	FIXING ASSEMBLY.....	2-64
930	PCB ASSEMBLY .....	2-67
950	IMAGE PROCESSOR PCB ASSEMBLY.....	2-69
R30	CASSETTE .....	2-71

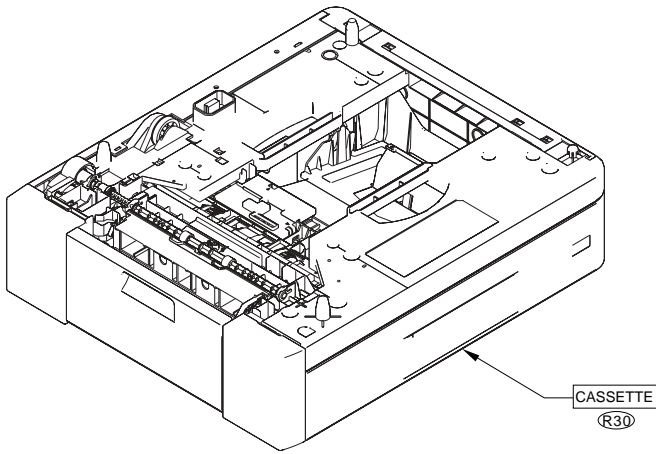


# FIGURE A1 ASSEMBLY LOCATION DIAGRAM





imageCLASS MF6595cx/6580cx/6560cx



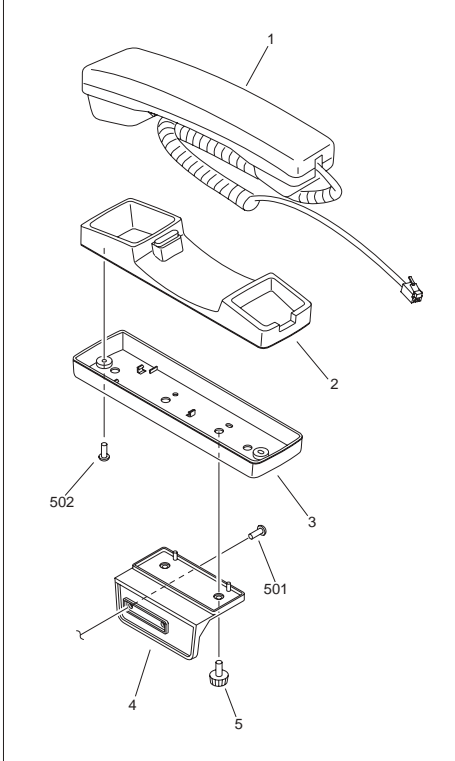
## FIGURE A2 OPTION PARTS CATALOG LIST

This is the table of the machine's options whose parts catalog is issued.  
本機のオプションで、パーツカタログが発行されている機種の一覧である。

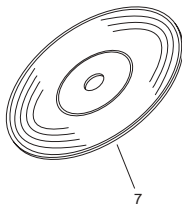
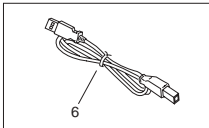
No.	Model Name(English)	Model Name(Japanese)
1	CASSETTE UNIT-M1	CASSETTE UNIT-M1

# FIGURE 001 PACKAGE COMPONENTS

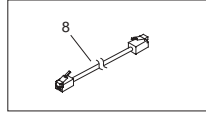
imageCLASS MF6550 CN



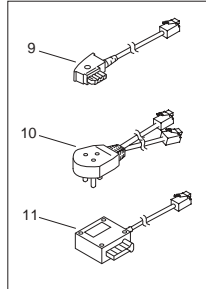
imageCLASS MF6570/MF6550 230V/  
i-SENSYS/LaserBase/Satera MF6570



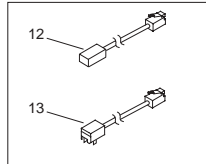
DAC/DKD/DKE/DKF/FAC/GAC/  
NAC/QAC/SAC/SLY/SNG/SNJ/  
SNK/SNL/SNN/SNQ/SNR/SNT/  
SNU/SPB/SPD/SPF/SRS/SRT



DAC/FAC/GAC/SNG/SNQ/SNR



imageCLASS MF6570/MF6550 KR



imageCLASS MF6595cx/6595/  
MF6590/6580cx/6580/6540

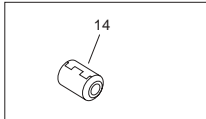


FIGURE & KEY NO.	PARTS NUMBER	RANK	Q'TY	DESCRIPTION	SERIAL NUMBER/REMARKS	SVC
Fig.001	NPN		RF	ACCESSORIES		
1	FK2-1826-000		1	HANDSET	imageCLASS MF6550 CN	
2	HB1-5222-000		1	MOUNT, HANDSET, UPPER	imageCLASS MF6550 CN	
3	HB1-5223-000		1	MOUNT, HANDSET, LOWER	imageCLASS MF6550 CN	
4	HB1-5224-000		1	MOUNT, HANDSET	imageCLASS MF6550 CN	
5	XA9-0429-000		2	SCREW (W)	imageCLASS MF6550 CN	
6	FH2-7192-000		1	CABLE, USB	imageCLASS MF6570/ MF6550 230V/i-SENSYS/ LaserBase/Satera MF6570	
7	FK2-1532-000		1	CD-ROM, USERSOFTWARE	LaserBase MF6550/6530	
7	FK2-1539-000		1	CD-ROM, USER SOFTWARE	i-SENSYS MF6550/6530	
7	FK2-5957-000		1	CD-ROM, USER SOFTWARE	i-SENSYS MF6550/ MF6530Windows Vista	
7	FK2-1535-000		1	CD-ROM, USERSOFTWARE	SNF,SNX,SPB,SPG	
7	FK2-1541-000		1	CD-ROM, USER SOFTWARE	BAC,HAC,NAC,VAC	
7	FK2-1536-000		1	CD-ROM, USERSOFTWARE	SNP,SPC,SPD,SPF,SPH, SPJ	
7	FK2-1542-000		1	CD-ROM, USER SOFTWARE	EAC,PAC,QAC,SAC,WAC ,XAC	
7	FK2-1533-000		1	CD-ROM, USERSOFTWARE	LaserBase MF6580PL/ MF6560PL/6540PL	
7	FK2-1540-000		1	CD-ROM, USER SOFTWARE	i-SENSYS MF6580PL/ MF6560PL/6540PL	
7	FK2-5958-000		1	CD-ROM, USER SOFTWARE	i-SENSYS MF6540PL/ MF6560PL/MF6580PL 230V EURWindows Vista	
7	FK2-1528-000		1	CD-ROM, USERSOFTWARE	Satera MF6570	
7	FK2-1537-020		1	CD-ROM, USERSOFTWARE	imageCLASS MF6550 120V/MF6531/6530	
7	FK2-5951-000		1	CD-ROM, USER SOFTWARE	imageCLASS MF6550120V US (SNM/ SNN)/MF6530Windows Vista	
7	FK2-1538-000		1	CD-ROM, USERSOFTWARE	imageCLASS MF6570/ MF6550 230V	
7	FK2-1530-020		1	CD-ROM, USERSOFTWARE	imageCLASS MF6580cx/ MF6580/6560cx/6560	
7	FK2-5953-000		1	CD-ROM, USER SOFTWARE	imageCLASS MF6580cx/ MF6580/6560cx/ 6560Windows Vista	



FIGURE & KEY NO.	PARTS NUMBER	R A N K	Q'TY	DESCRIPTION	SERIAL NUMBER/ REMARKS	S V C
7	FK2-5960-000		1	CD-ROM, USER SOFTWARE	imageCLASS MF6550 CNWindows Vista	
7	FK2-5334-000		1	CD-ROM, USER SOFTWARE	imageCLASS MF6590/ MF6540/6520	
7	FK2-5335-000		1	CD-ROM, USER SOFTWARE	imageCLASS MF6595cx/ MF6595	
8	HH2-2824-000		1	CORD, MODULAR	DAC/DKD/DKE/DFK/FAC/ GAC/NAC/QAC/SAC/SLY/ SNG/SNJ/SNK/SNL/SNN/ SNQ/SNR/SNT/SNU/SPB/ SPD/SPF/SRS/SRT	
9	HK1-0544-000		1	CORD, MODULAR	DAC/FAC/GAC/SNG/ SNQ/SNR	
10	HK1-0550-000		1	CORD, MODULAR	DAC/FAC/GAC/SNG/ SNQ/SNR	
11	HK1-0547-000		1	CORD, MODULAR	DAC/FAC/GAC/SNG/ SNQ/SNR	
12	FH2-7200-000		1	CORD, MODULAR	imageCLASS MF6570/ MF6550 KR	
13	HK1-0175-000		1	CORD, MODULAR, (KR)	imageCLASS MF6570/ MF6550 KR	
14	WE8-6406-000		1	CORE, FERRITE	imageCLASS MF6595cx/ MF6595/6590/6580cx/ MF6580/6540	
501	XB4-7301-207		2	SCREW, BH M3X12, S	imageCLASS MF6550 CN	
502	XB4-7301-005		2	SCREW, BH M3X10	imageCLASS MF6550 CN	

# FIGURE 100 EXTERNAL COVERS, PANELS, ETC.

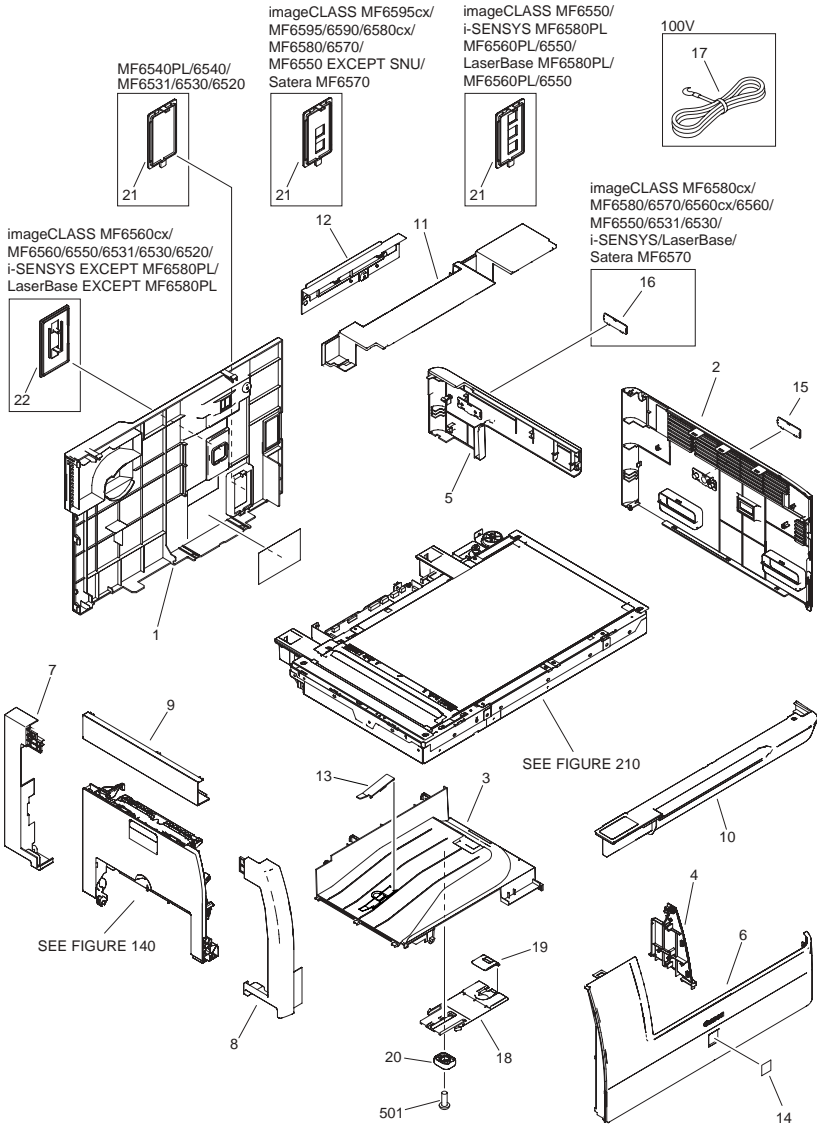


FIGURE & KEY NO.	PARTS NUMBER	R A N K	Q'TY	DESCRIPTION	SERIAL NUMBER/ REMARKS	S V C
Fig.100	NPN		RF	EXTERNAL COVERS, PANELS, ETC.		
1	FC6-7334-000		1	COVER, REAR		
2	FC6-7335-020		1	COVER, RIGHT		
3	FC7-5051-000		1	TRAY, DELIVERY	imageCLASS MF6580cx/ MF6580/6570/6560cx/ MF6560/6550/6531/ MF6530/i-SENSYS/ LaserBase/Satera MF6570	
3	FC8-6748-000		1	TRAY, DELIVERY	imageCLASS MF6520/ MF6540/6590/6595/ MF6595cx	
4	FC6-7337-000		1	COVER, DELIVERY, FRONT	imageCLASS MF6580cx/ MF6580/6570/6560cx/ MF6560/6550/6531/ MF6530/i-SENSYS/ LaserBase/Satera MF6570	
4	FC8-6749-000		1	COVER, DELIVERY, FRONT	imageCLASS MF6595cx/ MF6595/6590/6540/ MF6520	
5	FC6-7339-000		1	COVER, READER, RIGHT	imageCLASS MF6580cx/ MF6580/6570/6560cx/ MF6560/6550/6531/ MF6530/i-SENSYS/ LaserBase/Satera MF6570	
5	FC8-6750-000		1	COVER, READER, RIGHT	imageCLASS MF6595cx/ MF6595/6590/6540/ MF6520	
6	FL2-3878-000		1	COVER, FRONT	LaserBase MF6530	
6	FL2-3902-000		1	COVER, FRONT	i-SENSYS MF6530	
6	FL2-3879-000		1	COVER, FRONT	LaserBase MF6540PL	
6	FL2-3903-000		1	COVER, FRONT	i-SENSYS MF6540PL	
6	FL2-3880-000		1	COVER, FRONT	LaserBase MF6550	
6	FL2-3904-000		1	COVER, FRONT	i-SENSYS MF6550	
6	FL2-3881-000		1	COVER, FRONT	LaserBase MF6560PL	
6	FL2-3905-000		1	COVER, FRONT	i-SENSYS MF6560PL	
6	FL2-3882-000		1	COVER, FRONT	LaserBase MF6580PL	
6	FL2-3906-000		1	COVER, FRONT	i-SENSYS MF6580PL	
6	FL2-3883-000		1	COVER, FRONT	Satera MF6570	
6	FL2-3872-000		1	COVER, FRONT	imageCLASS MF6530	
6	FL2-3873-000		1	COVER, FRONT	imageCLASS MF6531	
6	FL2-3874-000		1	COVER, FRONT	imageCLASS MF6550	

FIGURE & KEY NO.	PARTS NUMBER	RANK	Q'TY	DESCRIPTION	SERIAL NUMBER/REMARKS	SVC
6	FL2-3875-000		1	COVER, FRONT	imageCLASS MF6560/ MF6560cx	
6	FL2-3876-000		1	COVER, FRONT	imageCLASS MF6570	
6	FL2-3877-000		1	COVER, FRONT	imageCLASS MF6580/ MF6580cx	
6	FL3-0151-000		1	COVER, FRONT	imageCLASS MF6520	
6	FL3-0152-000		1	COVER, FRONT	imageCLASS MF6540	
6	FL3-0153-000		1	COVER, FRONT	imageCLASS MF6590	
6	FL3-0154-000		1	COVER, FRONT	imageCLASS MF6595/ MF6595cx	
7	FC6-7341-000		1	COVER, LEFT, REAR		
8	FC6-7342-000		1	COVER, LEFT, FRONT		
9	FC6-7343-000		1	COVER, LEFT, UPPER		
10	FL2-3944-000		1	COVER, READER, FRONT	imageCLASS MF6580cx/ MF6580/6570/6560cx/ MF6560/6550/6531/ MF6530/i-SENSYS/ LaserBase/Satera MF6570	
10	FL3-0158-000		1	COVER, READER, FRONT	imageCLASS MF6595cx/ MF6595/6590/6540/ MF6520	
11	FC6-7346-000		1	COVER, READER, REAR	imageCLASS MF6580cx/ MF6580/6570/6560cx/ MF6560/6550/6531/ MF6530/i-SENSYS/ LaserBase/Satera MF6570	
11	FC8-6752-000		1	COVER, READER, REAR	imageCLASS MF6595cx/ MF6595/6590/6540/ MF6520	
12	FC6-7347-000		1	COVER, READER REAR, SMALL	imageCLASS MF6580cx/ MF6580/6570/6560cx/ MF6560/6550/6531/ MF6530/i-SENSYS/ LaserBase/Satera MF6570	
12	FC8-6753-000		1	COVER, READER REAR, SMALL	imageCLASS MF6595cx/ MF6595/6590/6540/ MF6520	
13	FC7-5052-000		1	TRAY, PAPER DELIVERY AUXILIARY	imageCLASS MF6580cx/ MF6580/6570/6560cx/ MF6560/6550/6531/ MF6530/i-SENSYS/ LaserBase/Satera MF6570	
13	FC8-6761-000		1	TRAY, PAPER DELIVERY AUXILIARY	imageCLASS MF6595cx/ MF6595/6590/6540/ MF6520	

FIGURE & KEY NO.	PARTS NUMBER	R A N K	Q'TY	DESCRIPTION	SERIAL NUMBER/ REMARKS	S V C
14	FC5-5256-000		1	EMBLEM	Satera MF6570	
14	FC6-7348-000		1	EMBLEM	imageCLASS/i-SENSYS/ LaserBase	
15	FC6-7545-000		1	COVER, BLANKING	imageCLASS MF6580cx/ MF6580/6570/6560cx/ MF6560/6550/6531/ MF6530/i-SENSYS/ LaserBase/Satera MF6570	
15	FC8-6754-000		1	COVER, BLANKING	imageCLASS MF6595cx/ MF6595/6590/6540/ MF6520	
16	FC6-7546-000		1	COVER, BLANKING	imageCLASS MF6580cx/ MF6580/6570/6560cx/ MF6560/6550/6531/ MF6530/i-SENSYS/ LaserBase/Satera MF6570	
17	FK2-1415-000		1	CORD, EARTH	100V	
18	FC6-7547-000		1	STOPPER, PAPER DELIVERY TRAY	imageCLASS MF6580cx/ MF6580/6570/6560cx/ MF6560/6550/6531/ MF6530/i-SENSYS/ LaserBase/Satera MF6570	
18	FC8-6755-000		1	STOPPER, PAPER DELIVERY TRAY	imageCLASS MF6595cx/ MF6595/6590/6540/ MF6520	
19	FC6-7548-000		1	STOPPER, PAPER DELIVERY TRAY	imageCLASS MF6580cx/ MF6580/6570/6560cx/ MF6560/6550/6531/ MF6530/i-SENSYS/ LaserBase/Satera MF6570	
19	FC8-6756-000		1	STOPPER, PAPER DELIVERY TRAY	imageCLASS MF6595cx/ MF6595/6590/6540/ MF6520	
20	FC6-7563-000		1	STOPPER, PAPER DELIVERY		
21	FC6-7541-000		1	COVER, MJ BLANKING, 1	MF6540PLMF6540/6531/ 6530/6520	
21	FC6-7542-000		1	COVER, MJ BLANKING, 2	imageCLASS 6595cx/ MF6595/6590/6580cx/ MF6580/6570/ 6550EXCEPT SNU/Satera MF6570	
21	FC6-7543-000		1	COVER, MJ BLANKING, 3	imageCLASS MF6550/i- SENSYS MF6580PL/ 6560PL/6550/LaserBase MF6580PL/6560PL/6550	

FIGURE & KEY NO.	PARTS NUMBER	R A N K	Q'TY	DESCRIPTION	SERIAL NUMBER/ REMARKS	S V C
22	FC6-7544-000		1	COVER, LAN BLANKING	imageCLASS MF6560cx/ MF6560/6550/6531/ MF6530/6520/i- SENSYSEXCEPT MF6580PL/ LaserBaseEXCEPT MF6580PL	
501	XB4-7401-007		AR	SCREW,TAPPING,PAN HEAD,M4X10		

# FIGURE 101 INTERNAL COMPONENTS 1 (OLD TYPE)

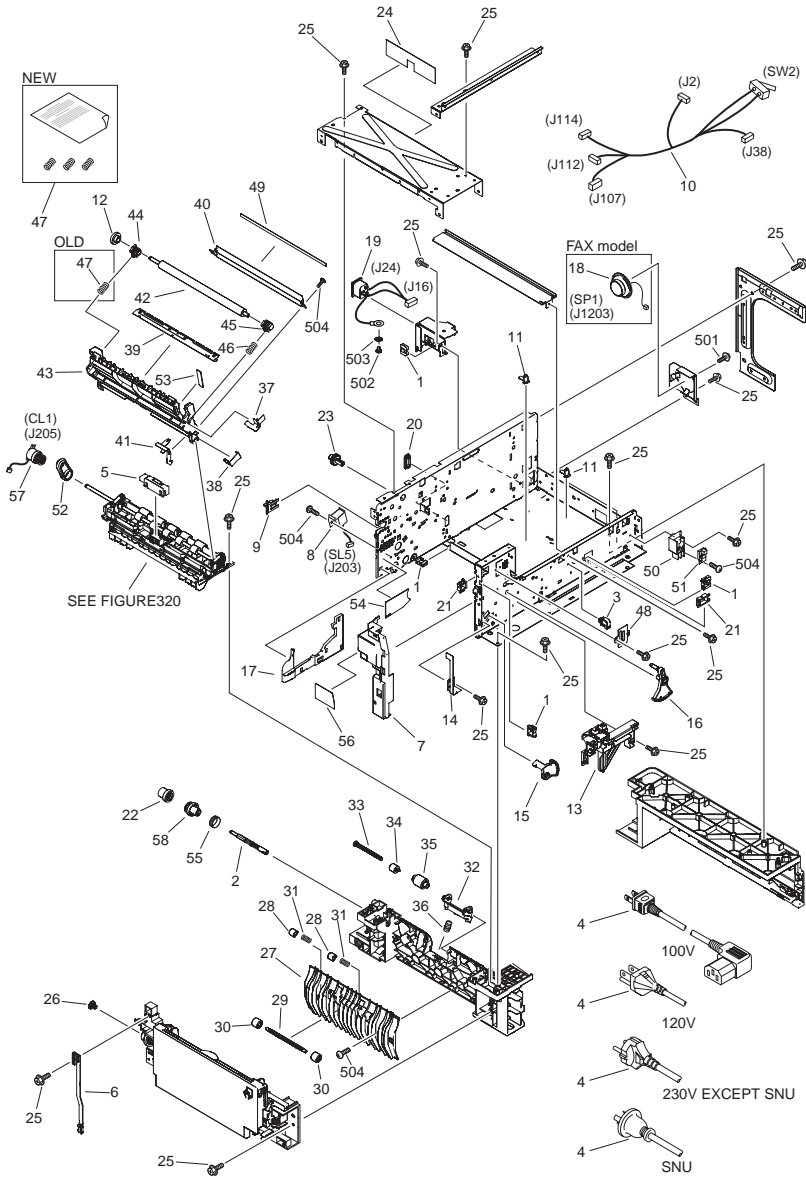


FIGURE & KEY NO.	PARTS NUMBER	RANK	Q'TY	DESCRIPTION	SERIAL NUMBER/REMARKS	SVC
Fig.101	NPN		RF	INTERNAL COMPONENTS 1	OLD TYPE	
1	WT2-5056-000		5	CLIP, CORD		
2	FC6-7400-000		1	SHAFT, JOINT		
2	FC6-7400-000		1	SHAFT, JOINT		
3	WT2-5694-000		9	CLIP CLAMP, WIRE		
4	FM2-5327-000		1	CORD, POWER, 100V	100V	
4	FM2-5328-000		1	CORD, POWER, 120V	120V	
4	FM2-5329-000		1	CORD, POWER, 230V	230V EXCEPT SNU	
4	FM2-5331-000		1	CORD, POWER, 230V	SNU	
5	FC6-7434-000		1	COVER, REGISTRATION SENSOR		
6	FC6-7467-020		1	STOPPER, DOOR, LEFT		
7	FC6-7513-000		1	COVER, BLIND		
8	FK2-1410-000		1	SOLENOID	SL5 J203	
9	FC6-7519-000		1	SUPPORT, ROLLER, FIXING		
10	FM2-4927-000		1	CABLE, INTERLOCK SWITCH	EXCEPTimageCLASS MF6595cx/MF6595/6590/ 6540/MF6520SW2 J2,38,107,112,114	
10	FM3-5516-000		1	CABLE, INTERLOCK SWITCH	imageCLASS MF6595cx/ MF6595/6590/6540/ MF6520SW2 J2,38,107,112,114	
11	FC6-7564-000		3	SPACER, PCB		
12	FU7-0029-000		1	GEAR, 17T		
13	FC6-7647-000		1	MOUNT, INTERLOCK		
14	FC6-7648-000		1	LEVER, INTERLOCK		
15	FC6-7649-000		1	GEAR, 62T		
16	FC6-7650-000		1	GEAR, 10T		
17	FC6-7651-000		1	GUIDE, CARTRIDGE, REAR		
18	FK2-1378-000		1	SPEAKER	FAX modelSP1 J1203	
19	FM2-4928-000		1	CABLE, AC-INLET	J16,24	
20	WT2-5760-000		1	BUSHING, SQUARE		
21	WT2-5812-000		4	CLIP, CABLE		
22	FU7-0024-000		1	GEAR, 27T		
22	FU7-0024-000		1	GEAR, 27T		



FIGURE & KEY NO.	PARTS NUMBER	R A N K	Q'TY	DESCRIPTION	SERIAL NUMBER/ REMARKS	S V C
23	FU7-0035-000		1	GEAR, 19T		
24	FC6-7533-000		1	SHEET, STATIC CHARGE		
25	XA9-1567-000		AR	SCREW, RS, M3X8.5		
26	FC6-7426-000		1	CAP		
27	FC6-7399-030		1	GUIDE, FEED ROLLER		
28	FC6-7402-020		2	BUSHING, FEED ROLLER		
29	FC6-7403-000		1	SHAFT, FEED ROLLER		
30	FC6-7404-000		2	ROLLER, FEED		
31	FU6-2421-000		2	SPRING, COMPRESSION		
31	FU6-2421-000		2	SPRING, COMPRESSION		
32	FC6-7360-000		1	PLATE, SEPARATION PRESSURE		
33	FC6-7362-000		1	SHAFT, REGISTRATION ROLLER		
34	FC6-7392-000		1	LIMITTER, TORQUE		
35	FL2-3887-000		1	ROLLER, FEED		
36	FU6-2412-000		1	SPRING, COMPRESSION		
37	FC6-7445-000		1	PLATE, CONTACT		
38	FC6-7446-000		1	PLATE, CONTACT		
39	FC6-7447-000		1	ELIMINATOR, STATIC CHARGE		
40	FC7-5047-000		1	GUIDE, PRE-TRANSFER		
41	FC6-7449-000		1	PLATE, GROUNDING		
42	FC6-7450-000		1	ROLLER, TRANSFER CHARGE		
43	FC6-7451-000		1	FRAME, TRANSFER		
44	FC6-7464-000		1	BUSHING, TRANSFER, REAR		
45	FC6-7465-000		1	BUSHING, TRANSFER, FRONT		
46	FU6-2432-000		1	SPRING, COMPRESSION		
47	FU6-2433-000		1	SPRING, COMPRESSION	OLD	
47	FM3-2397-000		1	COMPRESSION SPRING SET	NEW	
48	FL2-3910-000		1	PLATE, SUPPORT		
49	FC6-7476-000		1	SHEET, STATIC CHARGE		
50	FC6-7582-000		1	HOLDER, SENSOR		
51	FH7-7611-030		1	SENSOR, HUMIDITY	EXCEPTimageCLASS MF6595cx/MF6595/6590/ 6540/MF6520	

FIGURE & KEY NO.	PARTS NUMBER	R A N K	Q'TY	DESCRIPTION	SERIAL NUMBER/REMARKS	S V C
51	WP2-5254-000		1	SENSOR, HUMIDITY	imageCLASS MF6595cx/ MF6595/6590/6540/ MF6520	
52	FC6-7477-000		1	SUPPORT, REGISTRATION SHAFT		
53	FC6-7472-000		1	LABEL		
54	FC6-7474-000		1	LABEL, CARTRIDGE PUSH		
55	FU6-2422-000		1	SPR FIXING RATCHET		
55	FU6-2422-000		1	SPR FIXING RATCHET		
56	FC6-7524-000		1	LABEL, HIGH TMP. CAUTION, RIGH		
57	FK2-1401-000		1	CLUTCH, ELECTROMAGNETIC	CL1 J205	
58	FC6-7405-000		1	RATCHET, FEED		
501	XB6-7300-607		2	SCREW, TP, M3X6 (S)		
502	XB1-2400-605		1	SCREW, TP M4X6		
503	XD1-4200-402		1	WASHER, TOOTHED LOCK		
504	XB4-7401-007		AR	SCREW, TAPPING, PAN HEAD, M4X10		



FIGURE & KEY NO.	PARTS NUMBER	R A N K	Q'TY	DESCRIPTION	SERIAL NUMBER/ REMARKS	S V C
Fig.101A	NPN		RF	INTERNAL COMPONENTS 1	NEW TYPE	
1	WT2-5056-000		5	CLIP, CORD		
2	FC7-7142-000		1	SHAFT, JOINT		
3	WT2-5694-000		9	CLIP CLAMP, WIRE		
4	FM2-5327-000		1	CORD, POWER, 100V	100V	
4	FM2-5328-000		1	CORD, POWER, 120V	120V	
4	FM2-5329-000		1	CORD, POWER, 230V	230V EXCEPT SNU	
4	FM2-5331-000		1	CORD, POWER, 230V	SNU	
5	FC6-7434-000		1	COVER, REGISTRATION SENSOR		
6	FC6-7467-020		1	STOPPER, DOOR, LEFT		
7	FC6-7513-000		1	COVER, BLIND		
8	FK2-1410-000		1	SOLENOID	SL5 J203	
9	FC6-7519-000		1	SUPPORT, ROLLER, FIXING		
10	FM2-4927-000		1	CABLE, INTERLOCK SWITCH	EXCEPTimageCLASS MF6595cx/MF6595/6590/ 6540/MF6520SW2 J2,38,107,112,114	
10	FM3-5516-000		1	CABLE, INTERLOCK SWITCH	imageCLASS MF6595cx/ MF6595/6590/6540/ MF6520SW2 J2,38,107,112,114	
11	FC6-7564-000		3	SPACER, PCB		
12	FU7-0029-000		1	GEAR, 17T		
13	FC6-7647-000		1	MOUNT, INTERLOCK		
14	FC7-5818-000		1	LEVER, INTERLOCK		
15	FC7-7150-000		1	GEAR, 62T		
16	FC6-7650-000		1	GEAR, 10T		
17	FC6-7651-000		1	GUIDE, CARTRIDGE, REAR		
18	FK2-1378-000		1	SPEAKER	FAX modelSP1 J1203	
19	FM2-4928-000		1	CABLE, AC-INLET	J16,24	
20	WT2-5760-000		1	BUSHING, SQUARE		
21	WT2-5812-000		4	CLIP, CABLE		
22	FU7-0027-000		1	GEAR, 27T		
23	FU7-0035-000		1	GEAR, 19T		
24	FC6-7533-000		1	SHEET, STATIC CHARGE		

FIGURE & KEY NO.	PARTS NUMBER	R A N K	Q'TY	DESCRIPTION	SERIAL NUMBER/ REMARKS	S V C
25	XA9-1567-000		AR	SCREW, RS, M3X8.5		
26	FC6-7426-000		1	CAP		
27	FC6-7399-030		1	GUIDE, ROLLER, FEED		
28	FC6-7402-020		2	BUSHING, FEED ROLLER		
29	FC6-7403-000		1	SHAFT, FEED ROLLER		
30	FC6-7404-000		2	ROLLER, FEED		
31	FU6-2415-000		2	SPRING, COMPRESSION		
32	FC6-7360-000		1	PLATE, SEPARATION PRESSURE		
33	FC6-7362-000		1	SHAFT, REGISTRATION ROLLER		
34	FC6-7392-000		1	LIMITTER, TORQUE		
35	FL2-3887-000		1	ROLLER, FEED		
36	FU6-2412-000		1	SPRING, COMPRESSION		
37	FC6-7445-000		1	PLATE, CONTACT		
38	FC6-7446-000		1	PLATE, CONTACT		
39	FC6-7447-000		1	ELIMINATOR, STATIC CHARGE		
40	FC7-5047-000		1	GUIDE, PRE-TRANSFER		
41	FC6-7449-000		1	PLATE, GROUNDING		
42	FC6-7450-000		1	ROLLER, TRANSFER CHARGE		
43	FC7-7151-000		1	FRAME, TRANSFER		
44	FC6-7464-000		1	BUSHING, TRANSFER, REAR		
45	FC6-7465-000		1	BUSHING, TRANSFER, FRONT		
46	FU6-2432-000		1	SPRING, COMPRESSION		
47	FU6-2433-000		1	SPRING, COMPRESSION		
48	FL2-3910-000		1	PLATE, SUPPORT		
49	FC6-7476-000		1	SHEET, STATIC CHARGE		
50	FC6-7582-000		1	HOLDER, SENSOR		
51	FH7-7611-030		1	SENSOR, HUMIDITY	EXCEPTimageCLASS MF6595cx/MF6595/6590/ 6540/MF6520	
51	WP2-5254-000		1	SENSOR, HUMIDITY	imageCLASS MF6595cx/ MF6595/6590/6540/ MF6520	
52	FC6-7477-000		1	SUPPORT, REGISTRATION SHAFT		
53	FC6-7472-000		1	LABEL		

FIGURE & KEY NO.	PARTS NUMBER	RANK	Q'TY	DESCRIPTION	SERIAL NUMBER/REMARKS	SVC
54	FC6-7474-000		1	LABEL, CARTRIDGE PUSH	CL1 J205	
55	FC7-7144-000		1	JOINT		
56	FC6-7524-000		1	LABEL, HIGH TMP. CAUTION, RIGH		
57	FK2-1401-000		1	CLUTCH, ELECTROMAGNETIC		
58	FC7-7143-000		1	LIMITER, TORQUE		
59	FC7-7145-000		1	PIN, SNAP		
501	XB6-7300-607		2	SCREW, TP, M3X6 (S)		
502	XB1-2400-605		1	SCREW, TP M4X6		
503	XD1-4200-402		1	WASHER, TOOTHED LOCK		
504	XB4-7401-007		AR	SCREW, TAPPING, PAN HEAD, M4X10		



FIGURE & KEY NO.	PARTS NUMBER	R A N K	Q'TY	DESCRIPTION	SERIAL NUMBER/ REMARKS	S V C
Fig.102	NPN		RF	INTERNAL COMPONENTS 2		
1	FC5-4777-000		1	LABEL, LASER CAUTION		
2	FC6-7328-020		1	SHUTTER, LASER		
3	FC6-7331-020		1	ARM, SHUTTER, LASER		
4	FC6-7409-000		1	PLATE, GROUNDING		
5	FC6-7552-000		1	CAM, COUPLING		
6	FC6-7553-000		1	ARM, COUPLING		
7	FC6-7556-000		1	BUSHING, COUPLING F		
8	FC6-7557-000		1	JOINT, ARM, DOOR		
9	FC6-7568-000		1	GUIDE, HARNESS		
10	FC6-7575-000		1	DUCT, FAN		
11	FC6-7577-000		1	SPACER, PCB		
12	FK2-1385-000		1	MOTOR, MAIN	M1 J29	
13	FK2-1394-000		1	CABLE, FLAT	J31,102	
14	FK2-1395-000		1	CABLE, FLAT	J104,314	
15	FK2-1396-000		1	CABLE, FLAT	J318,1701	
16	FK2-1400-000		1	CABLE, FLAT	FAX modelJ1924,1202	
17	FU7-0044-000		1	GEAR, 91T		
18	FM2-3947-000		1	NCU BOARD ASS'Y	FAX model	
19	FM2-4922-000		1	CABLE, SCSNNER	J30,105	
20	FM2-4949-000		1	CABLE, RELAY PCB	imageCLASS MF6595cx/ MF6595/6590/6580cx/ MF6580/6570/6560cx/ MF6560/6550 230V/i- SENSYS/LaserBase/ Satera MF6570J29,32,34,37,106, 110J111,113,201,208,209	
20	FM2-4926-000		1	CABLE, RELAY PCB	imageCLASS MF6550/ MF6540/6531/6530/ MF6520J29,32,34,37,106, 108J110,111,113,201,208 J209,900	
21	FM2-4930-000		1	CABLE, MULTI-REGI	J35,36,202	
22	FM2-4935-000		1	CABLE, VBAT	FAX modelJ311,1204	
23	FM2-4937-000		1	CABLE, NCU-PSU	FAX modelJ1201,1921	
24	FM2-4938-000		1	CABLE, MJ	FAX modelJ1800,1922	

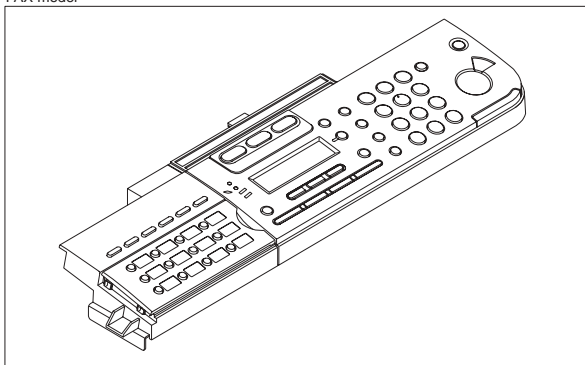


FIGURE & KEY NO.	PARTS NUMBER	R A N K	Q'TY	DESCRIPTION	SERIAL NUMBER/ REMARKS	S V C
25	FM2-4940-000		1	CABLE, FIXING HEATER	J15,25M	
26	FC6-7581-000		1	DUCT		
27	FC7-0547-000		1	LABEL, ADDRESS	FAX model	
28	FM2-4945-000		1	CABLE, IP-LAN	imageCLASS MF6595cx/ MF6595/6590/6580cx/ 6580/MF6570/6540/i- SENSYS 6580PL/ LaserBase 6580PL/Satera MF6570J304WH,1300WH	
29	FM2-5048-000		1	NETWORK I/F BORD PCB ASSEMBRY	imageCLASS MF6595cx/ MF6595/6590/6580cx/ 6580/MF6570/6540/i- SENSYS 6580PL/ LaserBase 6580PL/Satera MF6570	
30	FM2-5050-000		1	MODULAR JACK PCB ASSEMBLY	FAX modelimageCLASS EXCEPT CN	
30	FM2-5049-000		1	MODULAR JACK PCB ASSEMBLY	Satera MF6570	
30	FM2-5051-000		1	MODULAR JACK PCB ASSEMBLY	FAX modeli-SENSYS/ LaserBaseimageCLASS MF6550 CN	
31	FC6-7318-000		1	SPRING UNIT, CONTACT		
32	FC6-7321-000		1	SPRING UNIT, CONTACT		
33	FC6-7322-030		1	PLATE, GROUNDING		
34	FC6-7323-000		1	SPRING UNIT, CONTACT		
35	FC6-7324-000		1	SPRING UNIT, CONTACT	OLD	
35	FC7-9933-000		1	SPRING UNIT, CONTACT	NEW	
36	FC6-7325-000		1	SPRING, PLATE		
37	FC6-7326-000		1	SPRING UNIT, CONTACT		
38	FC6-7327-000		1	SPRING UNIT, CONTACT		
39	FC6-7580-000		1	SPRING, PLATE		
40	FC7-0540-020		1	SPRING, PLATE		
41	FC7-0541-020		1	SPRING, PLATE		
42	FC6-7574-000		1	HOLDER, FAN		
43	FK2-1386-000		1	FAN	FM1	
44	FC6-7309-000		1	GUIDE, CONTACT SPRING		
45	FC6-7310-000		5	SPRING, LEAF		
46	FC6-7311-000		1	SPRING, COMPRESSION		

FIGURE & KEY NO.	PARTS NUMBER	RANK	Q'TY	DESCRIPTION	SERIAL NUMBER/REMARKS	SVC
47	FC6-7312-000		1	SPRING, COMPRESSION		
48	FC6-7313-000		1	SPRING, COMPRESSION		
49	FC6-7314-000		1	SPRING, COMPRESSION		
50	FC6-7315-000		1	SPRING, COMPRESSION		
51	FM2-5047-000		1	MODEM PCB ASSEMBLY	FAX model	
52	FC6-7554-000		1	ARM, RINK		
53	FM2-4918-000		1	RELAY PCB ASSEMBLY		
54	FC6-7562-000		1	PLATE, GROUNDING		
55	FC6-7523-000		1	LABEL, HIGH TEMPERATURE CAUTIO		
56	FC6-7576-000		1	BUSHING, FFC		
57	FC6-7514-000		1	STOPPER, GEAR, DELIVERY		
58	XA9-1567-000		AR	SCREW, RS, M3X8.5		
59	WT2-5621-000		1	CLAMP, EDGE		
60	FC6-7316-000		1	LABEL, OPERATION PANEL	SNN/SNM	
61	FM3-2400-000		1	CARTRIDGE GUIDE ASSEMBLY		
62	WE8-6383-000		1	CORE, RING	imageCLASS MF6595cx/ MF6595/6590/6580cx/ MF6580/6570/6560cx/ MF6560/6550 230V/i- SENSYS/LaserBase/ Satera MF6570	
63	WE8-6388-000		1	CORE, RING		
501	XB6-7300-605		AR	SCREW, TP, M3X6 (S)		

# FIGURE 130 CONTROL PANEL ASSEMBLY

FAX model



COPY,SCANNER model

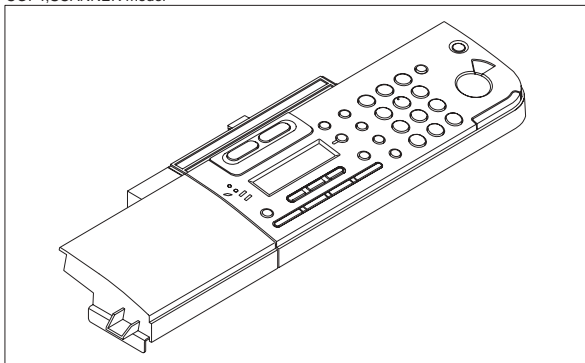


FIGURE & KEY NO.	PARTS NUMBER	R A N K	Q'TY	DESCRIPTION	SERIAL NUMBER/ REMARKS	S V C
Fig.130	FM2-5235-000		1	CONTROL PANEL ASSEMBLY	imageCLASS MF6531/ MF6530	
Fig.130	FM2-5239-000		1	CONTROL PANEL ASSEMBLY	imageCLASS MF6550120V	
Fig.130	FM2-5236-000		1	CONTROL PANEL ASSEMBLY	i-SENSYS MF6540PL/ MF6530LaserBase MF6540PL/MF6530	
Fig.130	FM2-5240-000		1	CONTROL PANEL ASSEMBLY	i-SENSYS MF6580PL/ MF6560PL/ 6550LaserBase MF6580PL/MF6560PL/ 6550	
Fig.130	FM2-5245-000		1	CONTROL PANEL ASSEMBLY	Satera MF6570	
Fig.130	FM2-5246-000		1	CONTROL PANEL ASSEMBLY	imageCLASS MF6580cx/ MF6580/6560cx/6560	
Fig.130	FM2-5242-000		1	CONTROL PANEL ASSEMBLY	SNT	
Fig.130	FM2-5241-020		1	CONTROL PANEL ASSEMBLY	imageCLASS MF6550CN	
Fig.130	FM2-5311-000		1	CONTROL PANEL ASSEMBLY	imageCLASS MF6570/ MF6550 KR	
Fig.130	FM3-7227-000		1	CONTROL PANEL ASSEMBLY	imageCLASS MF6540/ MF6520	
Fig.130	FM3-7228-000		1	CONTROL PANEL ASSEMBLY	imageCLASS MF6590	
Fig.130	FM3-7229-000		1	CONTROL PANEL ASSEMBLY	imageCLASS MF6595cx/ MF6595	

# FIGURE 140 LEFT DOOR ASSEMBLY

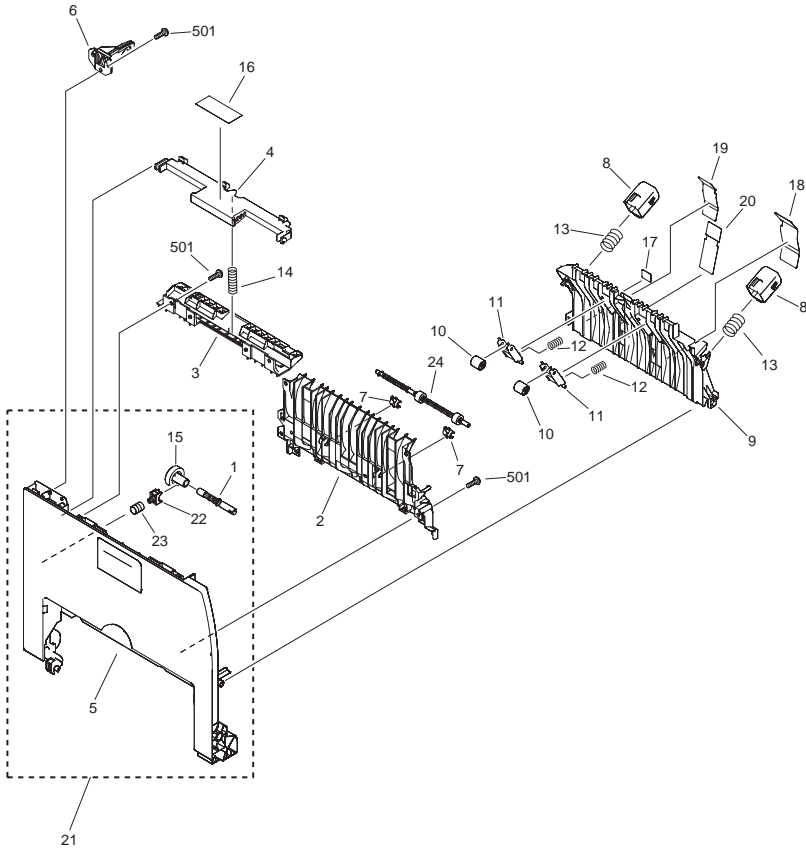


FIGURE & KEY NO.	PARTS NUMBER	R A N K	Q'TY	DESCRIPTION	SERIAL NUMBER/ REMARKS	S V C
Fig.140	NPN		RF	LEFT DOOR ASSEMBLY		
1	FC6-7452-000		1	SHAFT, ROLLER		
2	FC6-7454-000		1	GUIDE, FEED OUTER		
3	FC6-7455-000		1	GUIDE, FIXING, REAR		
4	FC6-7456-000		1	LEVER, DOOR		
5	FC6-7458-060		1	DOOR, LEFT		
6	FC6-7461-000		1	LEVER, FIXING PRESSURE RELEASE		
7	FC6-7466-000		2	BUSHING, FEED		
8	FC6-7453-000		2	BLOCK, PRESSURE		
9	FC6-7457-000		1	GUIDE, DUPLEXING FEED		
10	FC6-7459-000		2	COLLER		
11	FC6-7460-000		2	HOLDER, COLLET		
12	FU6-2434-000		2	SPRING, COMPRESSION		
13	FU6-2435-000		2	SPRING, COMPRESSION		
14	FU6-2436-000		1	SPRING, COMPRESSION		
15	FU7-0032-000		1	GEAR, 19T		
16	FC6-7583-000		1	SHEET, PROTECTION		
17	FC6-7473-000		1	LABEL		
18	FC6-7470-000		1	LABEL, DUPLEX JAM		
19	FC6-7521-000		1	LABEL, CARTRIDGE REPLACE, 1		
20	FC6-7522-000		1	LABEL, CARTRIDGE REPLACE, 2		
21	FM2-5334-000		1	LEFT DOOR UNIT		
22	FC7-7147-000		1	BUSH, DUPLEXING GEAR		
23	FU6-2446-000		1	SPRING, DUPLEXING GEAR		
24	FL2-3901-000		1	ROLLER, FEED		
501	XB4-5401-007		5	SCREW, M4X10		

# FIGURE 161 ADF ASSEMBLY

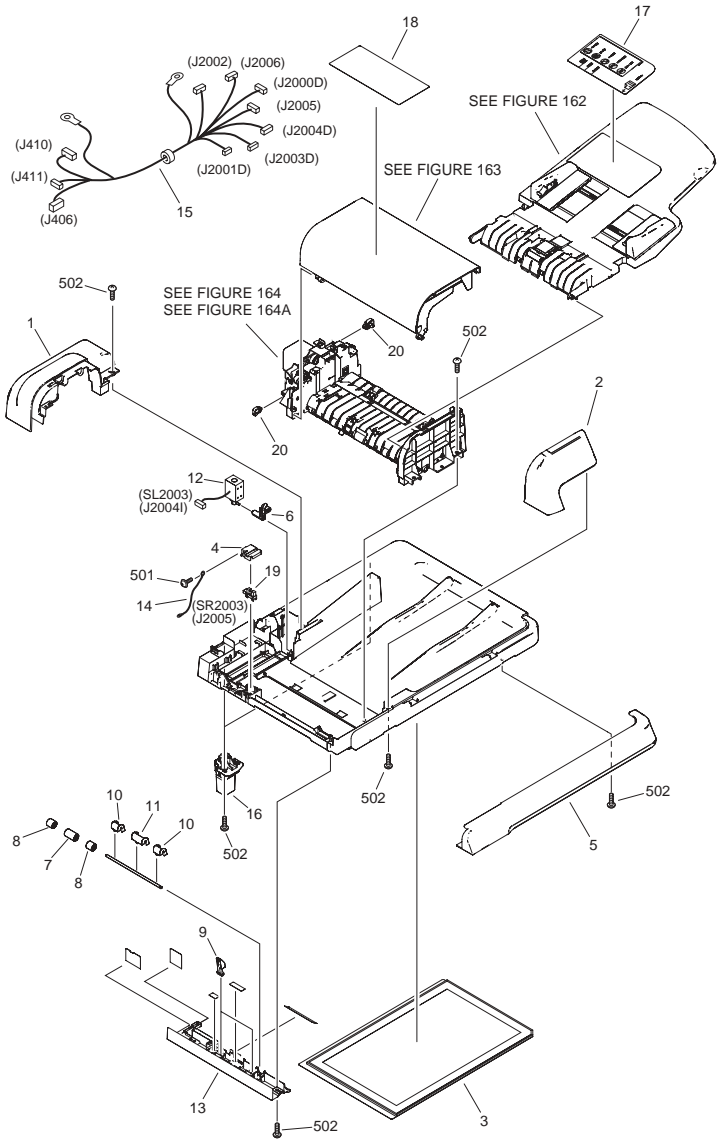


FIGURE & KEY NO.	PARTS NUMBER	R A N K	Q'TY	DESCRIPTION	SERIAL NUMBER/ REMARKS	S V C
Fig.161	NPN		RF	ADF ASSEMBLY		
1	FC6-7718-000		1	COVER, REAR		
2	FC6-7719-000		1	COVER, FRONT, LEFT		
3	FC6-7767-000		1	WHITE SHEET UNIT		
4	FC6-7784-000		1	COVER, SENSOR		
5	FC6-7786-000		1	COVER, FRONT, RIGHT		
6	FC6-7722-000		1	ARM, SOLENOID		
7	FC6-7732-000		1	COLLAR		
8	FC6-7733-000		2	COLLAR		
9	FC6-7734-000		2	LEVER, PRESSURE		
10	FC7-0552-000		2	GUIDE, REGISTRATION, SMALL		
11	FC7-0553-000		1	GUIDE, REGISTRATION, LARGE		
12	FK2-1392-030		1	SOLENOID	SL2003 J2004I	
13	FL2-3984-000		1	GUIDE, FEED, LOWER		
14	FM2-4948-000		1	CABLE, ADF GND		
15	FM2-4946-000		1	CABLE, ADF I/F	OLD	
15	FM2-4950-000		1	CABLE, ADF I/F	NEW	
16	FM2-4974-000		2	HINGE UNIT		
17	FU5-8875-000		1	LABEL, DOCUMENT SIZE	AB SIZE	
17	FU5-8876-000		1	LABEL, DOCUMENT SIZE	A/INCH SIZE	
17	FU5-8877-000		1	LABEL, DOCUMENT SIZE	A SIZE	
17	FU5-8878-000		1	LABEL, DOCUMENT SIZE	AB/INCH SIZE	
18	FU5-8879-000		1	LABEL, BLACK LINE, CLEANING	FOR USA	
18	FU5-8880-000		1	LABEL, BLACK LINE, CLEANING	FOR EUR	
18	FU5-8881-000		1	LABEL, BLACK LINE, CLEANING	FOR ASIA	
19	WG8-5696-000		1	PHOTO INTERRUPTER, TLP1243	SR2003 J2005	
20	WT2-5694-000		3	CLAMP, CABLE		
501	XB6-7300-605		2	SCREW,TP,M3X6		
502	XB4-5401-205		16	SCREW,P,M4X12		



# FIGURE 162 DOCUMENT TRAY ASSEMBLY

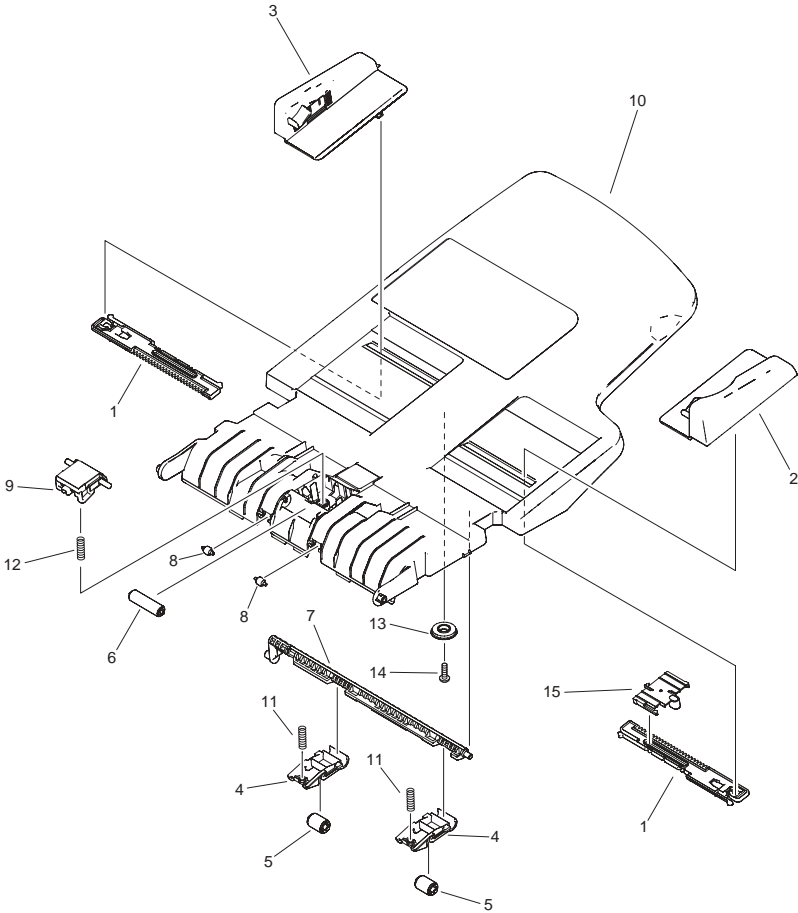


FIGURE & KEY NO.	PARTS NUMBER	R A N K	Q'TY	DESCRIPTION	SERIAL NUMBER/ REMARKS	S V C
Fig.162	NPN		RF	DOCUMENT TRAY ASSEMBLY		
1	FC6-7750-000		2	RACK, TRAY		
2	FC6-7751-000		1	GUIDE, SIDE, FRONT		
3	FL2-3985-000		1	GUIDE, SIDE, REAR		
4	FC6-7754-000		2	HOLDER, COLLAR		
5	FC6-7755-000		2	COLLAR		
6	FC6-7756-000		1	COLLAR		
7	FC7-0559-000		1	SHAFT		
8	FC6-8973-000		2	ROLLER, PLATEN		
9	FL2-3987-000		1	PAD, SEPARATION		
10	FL2-3981-000		1	TRAY, DOCUMENT		
11	FU6-2507-000		2	SPRING, COMPRESSION		
12	FU6-2508-000		1	SPRING, COMPRESSION		
13	FU7-0126-000		1	GEAR, 16T		
14	XA9-0874-000		1	SCREW, M3X8		
15	FC7-0557-000		1	HOLDER, SIDE GUIDE		

# FIGURE 163 OPEN/CLOSE PANEL ASSEMBLY

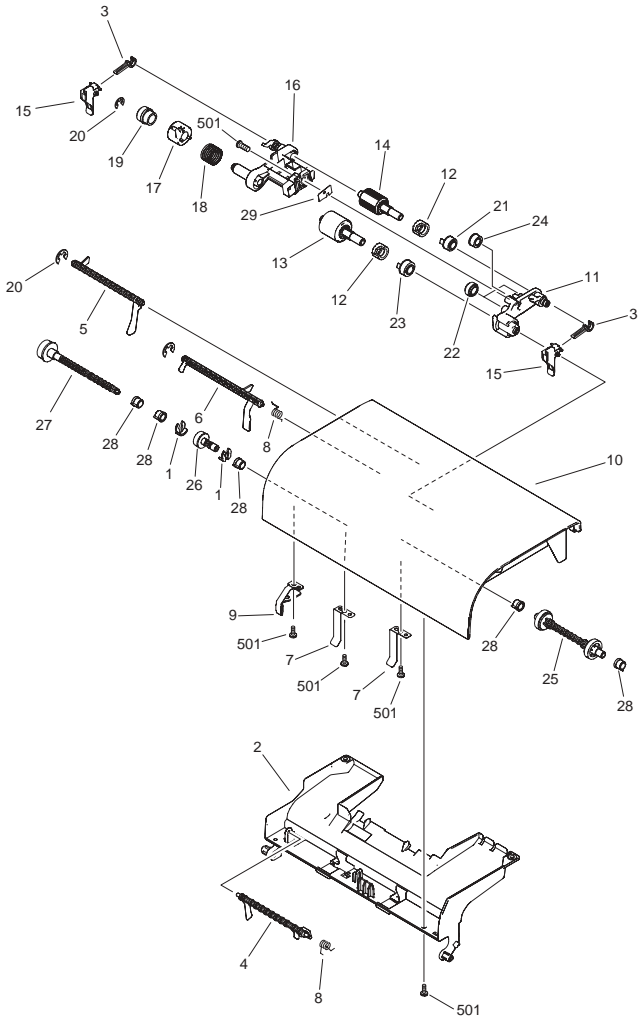


FIGURE & KEY NO.	PARTS NUMBER	R A N K	Q'TY	DESCRIPTION	SERIAL NUMBER/ REMARKS	S V C
Fig.163	FM2-4969-000		1	OPEN/CLOSE PANEL ASSEMBLY		
1	FC5-4425-000		2	CLIP		
2	FC6-7740-000		1	GUIDE, OPEN/CLOSE		
3	FL2-3989-000		2	SHUTTER, FRONT		
4	FC6-7745-000		1	LEVER, SENSOR		
5	FC6-7746-000		1	LEVER, SENSOR		
6	FC6-7747-000		1	LEVER, SENSOR		
7	FC6-7761-000		2	SPRING, PLATE		
8	FC6-7776-000		3	SPRING, TORSION		
9	FC7-0545-000		1	BAND, OPEN/CLOSE STOPPER		
10	FL2-3982-020		1	FRAME, OPEN/CLOSE		
11	FL2-3988-000		1	ARM, PICK-UP		
12	FC6-7748-000		2	JOINT		
13	FC6-7765-000		1	ROLLER, SEPARATION		
14	FC6-7766-000		1	ROLLER, PICK-UP		
15	FC6-8971-000		2	LEVER, STOP		
16	FL2-3986-020		1	ARM, PICK-UP, RIGHT		
17	FC6-7787-000		1	JOINT, PICK ARM		
18	FC6-7789-000		1	SPRING, TORSION		
19	FU7-0121-000		1	GEAR, 26T		
20	XD9-0136-000		5	RING,E		
21	FU7-0118-000		1	GEAR, 22T		
22	FU7-0119-000		2	GEAR, 23T		
23	FU7-0120-000		1	GEAR, 26T		
24	FU7-0125-000		1	GEAR, 17T		
25	FU7-0122-000		1	GEAR, 35T/35T		
26	FU7-0123-000		1	GEAR, 26T		
27	FU7-0124-000		1	GEAR, 20T		
28	FU5-1626-000		5	BUSHING		
501	XB4-5301-005		9	SCREW,P,M3X10		

FIGURE 164  
PAPER FEED ASSEMBLY (OLD TYPE)

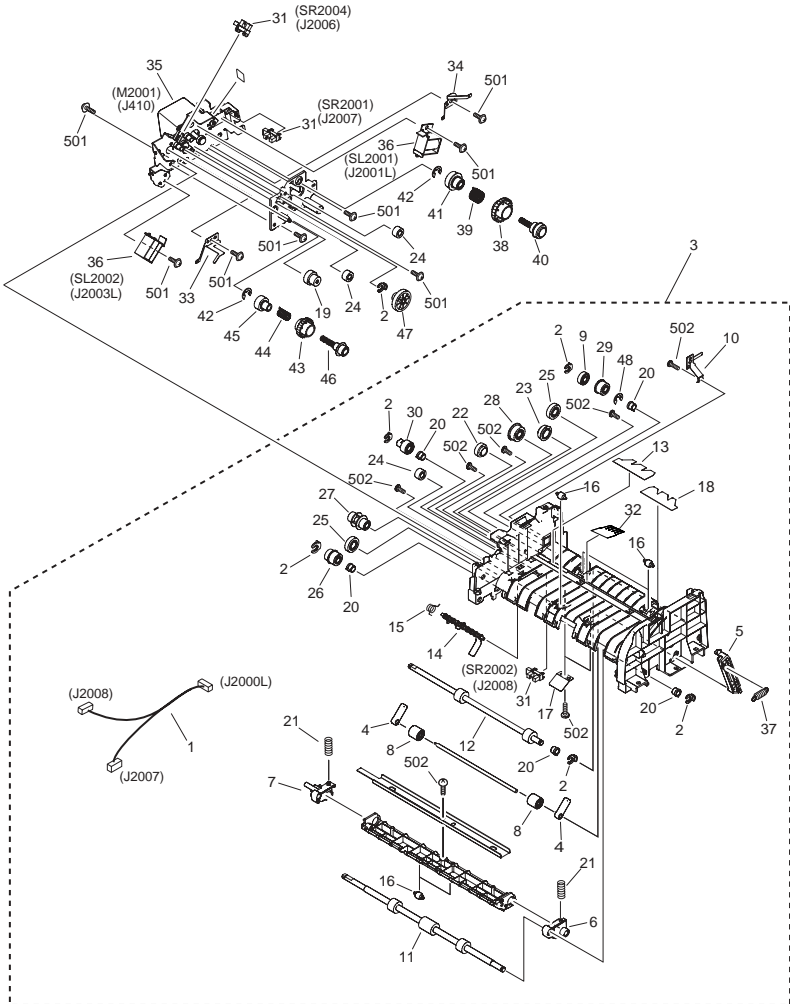


FIGURE & KEY NO.	PARTS NUMBER	R A N K	Q'TY	DESCRIPTION	SERIAL NUMBER/ REMARKS	S V C
Fig.164	NPN		RF	PAPER FEED ASSEMBLY	OLD TYPE	
1	FM2-4947-000		1	CABLE, ADF SENSOR	J2007,2008,200L	
2	FC5-4424-000		6	CLIP		
3	FM2-4971-000		1	FEED FRAME UNIT		
4	FC7-2792-000		2	CAM		
5	FC7-2793-000		1	LEVER		
6	FC6-7730-000		1	ARM, PLATEN, FRONT		
7	FC6-7731-000		1	ARM, PLATEN, REAR		
8	FC6-7733-000		2	COLLAR		
9	FC6-7738-000		1	JOINT, GEAR		
10	FC6-7760-000		1	PLATE, GROUNDING		
11	FC6-7763-000		1	ROLLER, REGISTRATION		
12	FC6-7764-020		1	ROLLER, PAPER DELIVERY		
13	FC6-7772-000		1	SHEET, REVERSE		
14	FL2-3990-000		1	LEVER, SENSOR		
15	FC6-7790-000		1	SPRING, TORSION		
16	FC6-8973-000		8	ROLLER, PLATEN		
17	FC7-0542-000		2	SPRING, PLATE		
18	FC7-0546-000		1	SHEET, REVERSE		
19	FU7-0114-000		1	GEAR, 22T/31T		
20	FU5-1626-000		6	BUSHING		
21	FU6-2506-000		2	SPRING, COMPRESSION		
22	FU7-0104-000		1	GEAR, 18T		
23	FU7-0105-000		1	GEAR, 23T		
24	FU7-0108-000		3	GEAR, 22T		
25	FU7-0112-000		2	GEAR, 35T		
26	FU7-0113-000		1	GEAR, 26T/28T		
27	FU7-0115-000		1	GEAR, 22T		
28	FU7-0116-000		1	GEAR, 35T		
29	FU7-0117-020		1	GEAR, 28T		
30	FU7-0127-000		1	GEAR, 28T		

FIGURE & KEY NO.	PARTS NUMBER	R A N K	Q'TY	DESCRIPTION	SERIAL NUMBER/ REMARKS	S V C
31	WG8-5696-000		3	PHOTO INTERRUPTER, TLP1243	SR2001,2002,2004 J2007,2008,2006	
32	FC7-2800-000		1	SHEET, FLAG, C		
33	FC6-7758-000		1	PLATE, GROUNDING		
34	FC6-7759-000		1	PLATE, GROUNDING		
35	FM2-4979-000		1	MOTOR UNIT	M2001 J410	
36	FK2-1393-000		2	SOLENOID	SL2001,2002 J2001L,2003L	
37	FU6-2510-000		1	SPRING, TENSION		
38	FC6-7736-000		1	RATCHET, SEPARATION		
39	FC6-7769-000		1	SPRING, TORSION		
40	FU7-0106-000		1	GEAR, 20T		
41	FU7-0107-000		1	GEAR, 38T		
42	XD9-0136-000		2	RING, E		
43	FC6-7737-000		1	RATCHET, REGISTRATION		
44	FC6-7770-000		1	SPRING, TORSION		
45	FU7-0110-000		1	GEAR, 31T		
46	FU7-0111-000		1	GEAR, 22T		
47	FU7-0109-000		1	GEAR, 18T/51T		
48	XD9-0136-000		1	RING,E		
501	XB6-7300-605		AR	SCREW, TP, M3X6 (S)		
502	XB4-5301-005		AR	SCREW,P,M3X10		

# FIGURE 164A PAPER FEED ASSEMBLY (NEW TYPE BELT DRIVE)

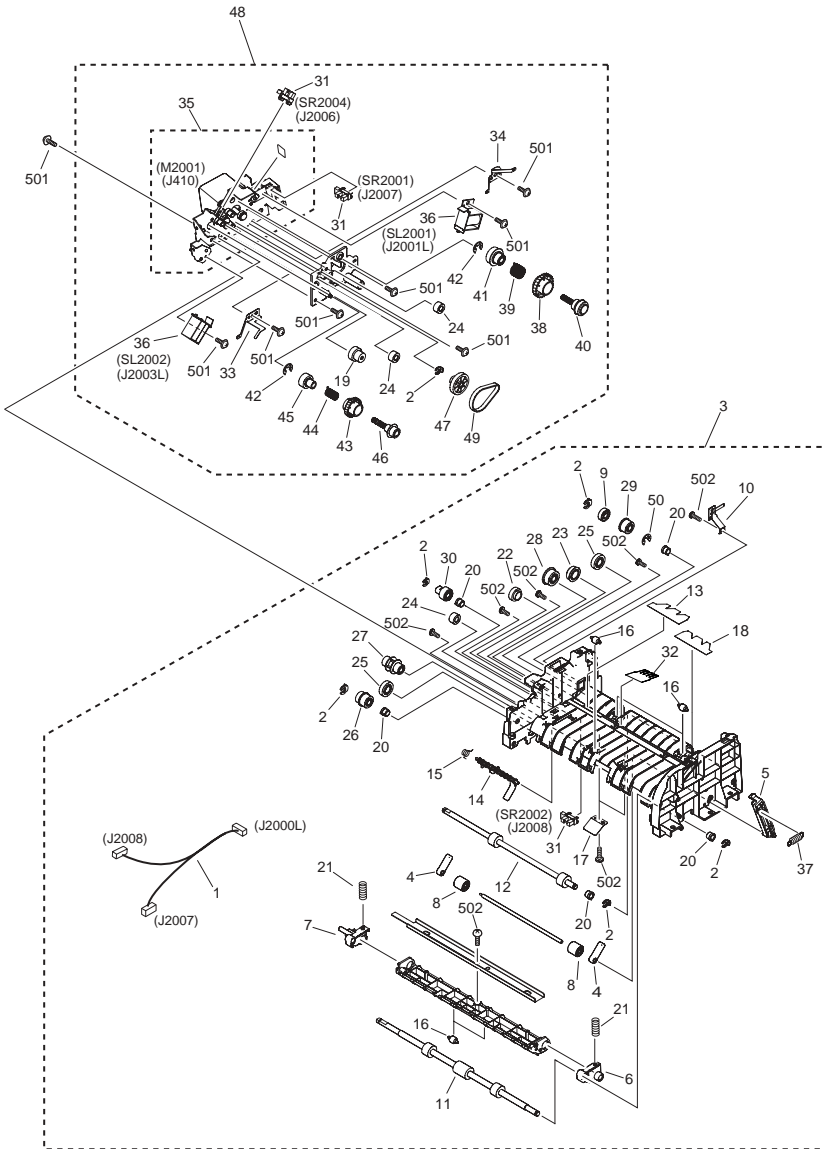




FIGURE & KEY NO.	PARTS NUMBER	R A N K	Q'TY	DESCRIPTION	SERIAL NUMBER/ REMARKS	S V C
Fig.164A	NPN		RF	PAPER FEED ASSEMBLY	NEW TYPE BELT DRIVE	
1	FM2-4947-000		1	CABLE, ADF SENSOR	J2007,2008,200L	
2	FC5-4424-000		6	CLIP		
3	FM2-8848-000		1	FEED FRAME UNIT		
4	FC7-2792-000		2	CAM		
5	FC7-2793-000		1	LEVER		
6	FC6-7730-000		1	ARM, PLATEN, FRONT		
7	FC6-7731-000		1	ARM, PLATEN, REAR		
8	FC6-7733-000		2	COLLAR		
9	FC6-7738-000		1	JOINT, GEAR		
10	FC6-7760-000		1	PLATE, GROUNDING		
11	FC6-7763-000		1	ROLLER, REGISTRATION		
12	FC6-7764-020		1	ROLLER, PAPER DELIVERY		
13	FC6-7772-000		1	SHEET, REVERSE		
14	FL2-3990-000		1	LEVER, SENSOR		
15	FC6-7790-000		1	SPRING, TORSION		
16	FC6-8973-000		6	ROLLER, PLATEN		
17	FC7-0542-000		2	SPRING, PLATE		
18	FC7-0546-000		1	SHEET, REVERSE		
19	FU7-0114-000		1	GEAR, 22T/31T		
20	FU5-1626-000		5	BUSHING		
21	FU6-2506-000		2	SPRING, COMPRESSION		
22	FU7-0104-000		1	GEAR, 18T		
23	FU7-0105-000		1	GEAR, 23T		
24	FU7-0108-000		3	GEAR, 22T		
25	FU7-0112-000		2	GEAR, 35T		
26	FU7-0113-000		1	GEAR, 26T/28T		
27	FU7-0115-000		1	GEAR, 22T		
28	FU7-0116-000		1	GEAR, 35T		
29	FU7-0117-020		1	GEAR, 28T		
30	FU7-0127-000		1	GEAR, 28T		

FIGURE & KEY NO.	PARTS NUMBER	R A N K	Q'TY	DESCRIPTION	SERIAL NUMBER/ REMARKS	S V C
31	WG8-5696-000		3	PHOTO INTERRUPTER, TLP1243	SR2001,2002,2004J2006-2008	
32	FC7-2800-000		1	SHEET, FLAG, C		
33	FC6-7758-000		1	PLATE, GROUNDING		
34	FC6-7759-000		1	PLATE, GROUNDING		
35	FM2-8208-000		1	MOTOR UNIT	M2001 J410	
36	FK2-1393-000		2	SOLENOID	SL2001,2002 J2001L,2003L	
37	FU6-2510-000		1	SPRING, TENSION		
38	FC6-7736-000		1	RATCHET, SEPARATION		
39	FC6-7769-000		1	SPRING, TORSION		
40	FU7-0106-000		1	GEAR, 20T		
41	FU7-0107-000		1	GEAR, 38T		
42	XD9-0136-000		2	RING, E		
43	FC6-7737-000		1	RATCHET, REGISTRATION		
44	FC6-7770-000		1	SPRING, TORSION		
45	FU7-0110-000		1	GEAR, 31T		
46	FU7-0111-000		1	GEAR, 22T		
47	FU7-0128-000		1	GEAR, 18T/51T		
48	FM2-8207-000		1	BELT DRIVE UNIT		
49	XF9-0760-000		1	BELT, TIMING		
50	XD9-0136-000		1	RING,E		
501	XB6-7300-605		AR	SCREW, TP, M3X6 (S)		
502	XB4-5301-005		AR	SCREW,P,M3X10		

FIGURE 210  
READER ASSEMBLY

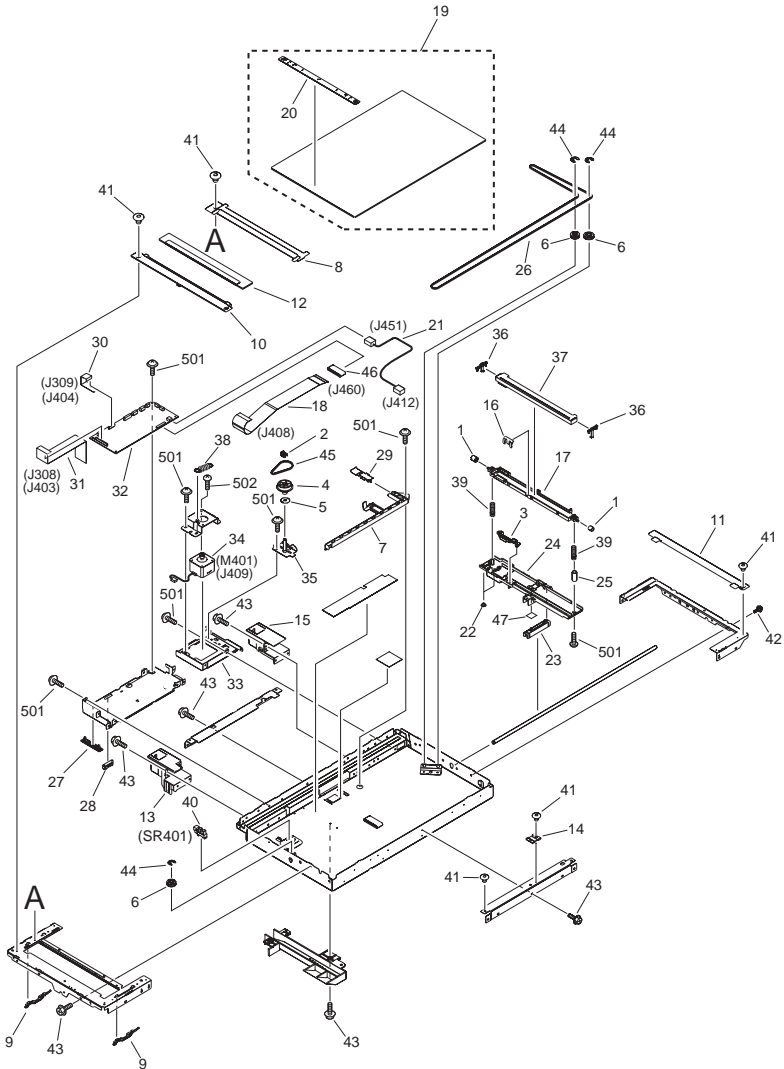


FIGURE & KEY NO.	PARTS NUMBER	R A N K	Q'TY	DESCRIPTION	SERIAL NUMBER/ REMARKS	S V C
Fig.210	NPN		RF	READER ASSEMBLY		
1	FB6-1337-000		2	COLLAR		
2	FC5-4424-000		1	CLIP		
3	FC6-7595-000		1	HOLDER		
4	FC6-7598-000		1	PULLEY, 49T/17T		
5	FC6-7600-000		1	FLANGE, MOTOR PULLEY		
6	FC6-7604-000		3	PULLEY, DRIVEN		
7	FC6-7606-000		1	GUIDE, CABLE		
8	FC6-7615-000		1	MOUNT,JUMP	EXCEPTimageCLASS MF6595cx/MF6595/6590/ 6540/MF6520	
8	FC8-6757-000		1	MOUNT,JUMP	imageCLASS MF6595cx/ MF6595/6590/6540/ MF6520	
9	FC6-7618-000		2	GUIDE, CIS		
10	FC6-7621-000		1	SUPPORT, GLASS, LEFT		
11	FC6-7622-000		1	SUPPORT, GLASS, RIGHT	EXCEPTimageCLASS MF6595cx/MF6595/6590/ 6540/MF6520	
11	FC8-6760-000		1	SUPPORT, GLASS, RIGHT	imageCLASS MF6595cx/ MF6595/6590/6540/ MF6520	
12	FL2-3941-000		1	GLASS, READER		
13	FC6-7626-000		1	COVER, HINGE, LEFT	EXCEPTimageCLASS MF6595cx/MF6595/6590/ 6540/MF6520	
13	FC8-6758-000		1	COVER, HINGE, LEFT	imageCLASS MF6595cx/ MF6595/6590/6540/ MF6520	
14	FC6-7630-000		1	STOPPER, GLASS, LEFT		
15	FC6-7632-000		1	COVER, HINGE, RIGHT	EXCEPTimageCLASS MF6595cx/MF6595/6590/ 6540/MF6520	
15	FC8-6759-000		1	COVER, HINGE, RIGHT	imageCLASS MF6595cx/ MF6595/6590/6540/ MF6520	
16	FC6-7642-000		1	STPEER, CIS		
17	FC7-0534-000		1	HOLDER, CIS		
18	FK2-1399-000		1	CABLE, FLAT, CIS-READER	J408,460	
19	FL2-3939-000		1	COPYBOARD GLASS UNIT	A SIZE	

FIGURE & KEY NO.	PARTS NUMBER	R A N K	Q'TY	DESCRIPTION	SERIAL NUMBER/ REMARKS	S V C
19	FL2-3938-000		1	COPYBOARD GLASS UNIT	A/INCH SIZE\EXCEPT imageCLASS MF6595cx/ MF6595/6590/6540/ MF6520	
19	FL2-3933-000		1	COPYBOARD GLASS UNIT	AB SIZE	
19	FL2-3940-000		1	COPYBOARD GLASS UNIT	AB/INCH SIZE	
19	FL3-0160-000		1	COPYBOARD GLASS UNIT	A/INCH SIZEimageCLASS MF6595cx/MF6595/6590/ 6540/MF6520	
20	FL2-3936-000		1	PLATE, SIXE INDEX	A SIZE	
20	FL2-3935-000		1	PLATE, SIXE INDEX	A/INCH SIZE\EXCEPT imageCLASS MF6595cx/ MF6595/6590/6540/ MF6520	
20	FL2-3932-000		1	PLATE, SIXE INDEX	AB SIZE	
20	FL2-3937-000		1	PLATE, SIXE INDEX	AB/INCH SIZE	
20	FL3-0159-000		1	PLATE, SIXE INDEX	A/INCH SIZEimageCLASS MF6595cx/MF6595/6590/ 6540/MF6520	
21	FM2-4939-000		1	CABLE, SENSOR	J451,412	
22	FC6-4511-000		2	SLIDER		
23	FC6-7592-000		1	HOLDER, RAIL		
24	FC6-7643-000		1	SUPPORT, CIS		
25	FU5-4953-000		1	SHAFT, GUIDE ,CIS		
26	XF2-4665-530		1	BELT, TIMING		
27	FC6-7576-000		1	BUSHING, FFC		
28	FC6-7612-000		1	COVER, FFC		
29	FC6-7585-000		1	COVER, CABLE		
30	FK2-1825-000		1	CABLE, FLAT, READER-IP1	J309,404	
31	FK2-1398-000		1	CABLE, FLAT, READER-IP2	J308,403	
32	FM2-8363-000		1	READER CONTROLLER PCB ASSEMBLY		
33	FC6-7601-000		1	STAY, MOTOR		
34	FK2-1383-000		1	MOTOR, READER	M401 J409	
35	FL2-3929-000		1	PLATE, PULLEY TENSION		
36	FC6-7591-000		2	SPACER, CIS		
37	FK2-1377-000		1	CONTACT IMAGE SENSOR UNIT		

FIGURE & KEY NO.	PARTS NUMBER	R A N K	Q'TY	DESCRIPTION	SERIAL NUMBER/ REMARKS	S V C
38	FU5-2103-000		2	SPRING, TENSION	SR401 J451	
39	FU6-2462-000		2	SPRING, COMPRESSION		
40	WG8-5776-000		1	IC,PHOTO-INTERRUPTER,SG-2481		
41	XA9-0679-000		10	SCREW, MACH., FLAT HEAD, M3X4		
42	XA9-1116-030		1	SCREW,M3X5		
43	XA9-1567-000		43	SCREW, RS, M3X8.5		
44	XD9-0136-000		3	RING, E		
45	XF2-4607-230		1	BELT, TIMING		
46	WE8-6218-000		1	CORE, FERRITE		
47	FC7-7632-000		1	SHEET, RETAINING		
501	XB6-7300-607		8	SCREW, CROSS-RECESS, FCH		
502	XB1-2300-409		2	SCREW, MACHINE M3X4		

FIGURE 250  
MAIN DRIVE ASSEMBLY

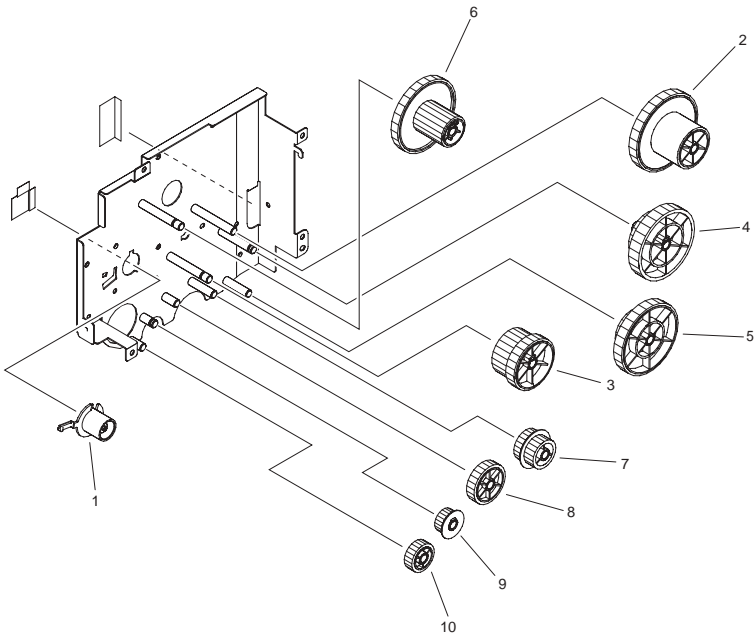


FIGURE & KEY NO.	PARTS NUMBER	RANK	Q'TY	DESCRIPTION	SERIAL NUMBER/REMARKS	SVC
Fig.250	NPN		RF	MAIN DRIVE ASSEMBLY		
1	FC6-7549-000		1	BUSHING, COUPLING, R		
2	FU7-0045-000		1	GEAR, 59T		
3	FU7-0046-000		1	GEAR, 74T/64T		
4	FU7-0047-000		1	GEAR, 103T/67T		
5	FU7-0048-000		1	GEAR, 30T/104T		
6	FU7-0049-000		1	GEAR, 107T/43T		
7	FU7-0050-000		1	GEAR, 28T/41T		
8	FU7-0051-000		1	GEAR, 37T		
9	FU7-0052-000		1	GEAR, 20T		
10	FU7-0053-000		1	GEAR, 26T		



FIGURE 251  
REVERSE DRIVE ASSEMBLY

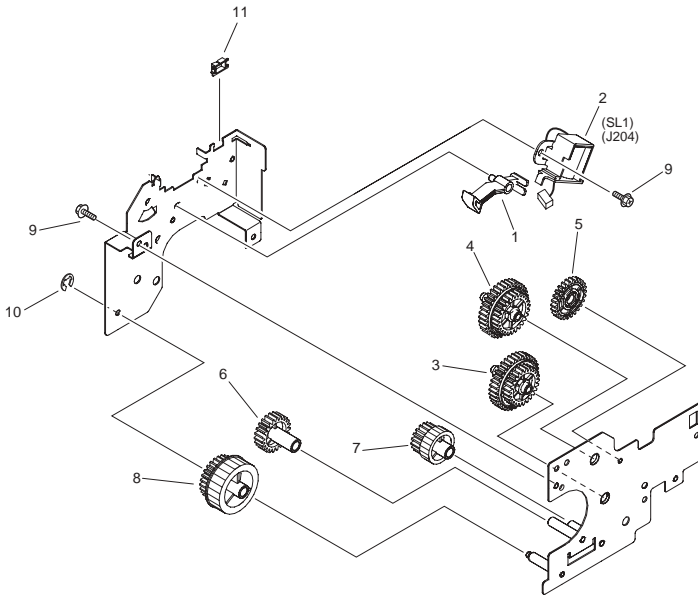


FIGURE & KEY NO.	PARTS NUMBER	R A N K	Q'TY	DESCRIPTION	SERIAL NUMBER/ REMARKS	S V C
Fig.251	NPN		RF	REVERSE DRIVE ASSEMBLY		
1	FC6-7517-000		1	ARM, SOLENOID		
2	FK2-1408-000		1	SOLENOID	SL1 J204	
3	FM2-5283-000		1	GEAR UNIT		
4	FM2-5284-000		1	GEAR UNIT		
5	FU7-0036-000		1	GEAR, 26T		
6	FU7-0039-000		1	GEAR, 23T		
7	FU7-0040-000		1	GEAR, 18T/41T		
8	FU7-0031-000		1	GEAR, 27T/25T		
9	XA9-1567-000		3	SCREW, RS, M3X8.5		
10	XD9-0134-000		1	RING, E		
11	WT2-5056-000		1	CLIP, CABLE		

FIGURE 300  
CASSETTE (EXCEPT CN)

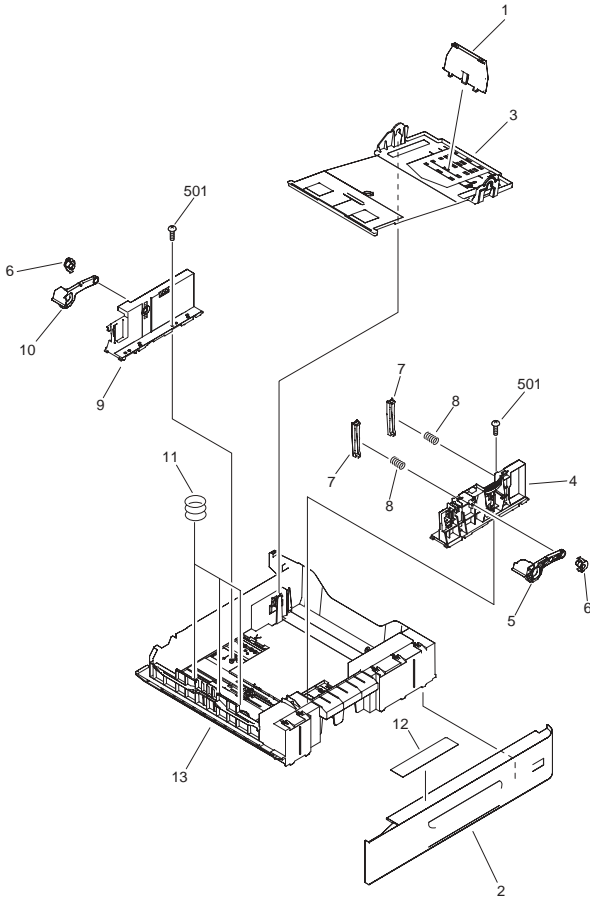


FIGURE & KEY NO.	PARTS NUMBER	R A N K	Q'TY	DESCRIPTION	SERIAL NUMBER/ REMARKS	S V C
Fig.300	NPN		RF	CASSETTE	EXCEPT CN	
1	FC6-7377-000		1	PLATE, SIZE, REAR		
2	FC6-7382-000		1	PANEL, FRONT		
3	FL2-3889-000		1	PLATE, CST, LIFTER		
4	FC6-7372-000		1	PLATE, SIDE LIMIT, FRONT		
5	FC7-2989-000		1	CLAW, SEPARATION, FRONT		
6	FC6-7376-000		2	PIN, SUPPORT, CLAW		
7	FC6-7380-000		2	RETAINER, SHEET		
8	FU6-2410-000		2	SPRING, COMPRESSION		
9	FC6-7374-000		1	PLATE, SIDE LIMIT, REAR		
10	FC7-2990-000		1	CLAW, SEPARATION, REAR		
11	FU6-2408-020		3	SPRING		
12	FC6-7388-000		1	LABEL, CASSETTE OPERATOR	A4	
12	FC6-7385-000		1	LABEL, CASSETTE OPERATOR	LTR	
13	FC6-7370-000		1	BODY, CASSETTE		
501	XB4-7400-807		4	SCREW,TAPPING,TRUSS HEAD,M4X8		

FIGURE 301  
CASSETTE (CN ONLY)

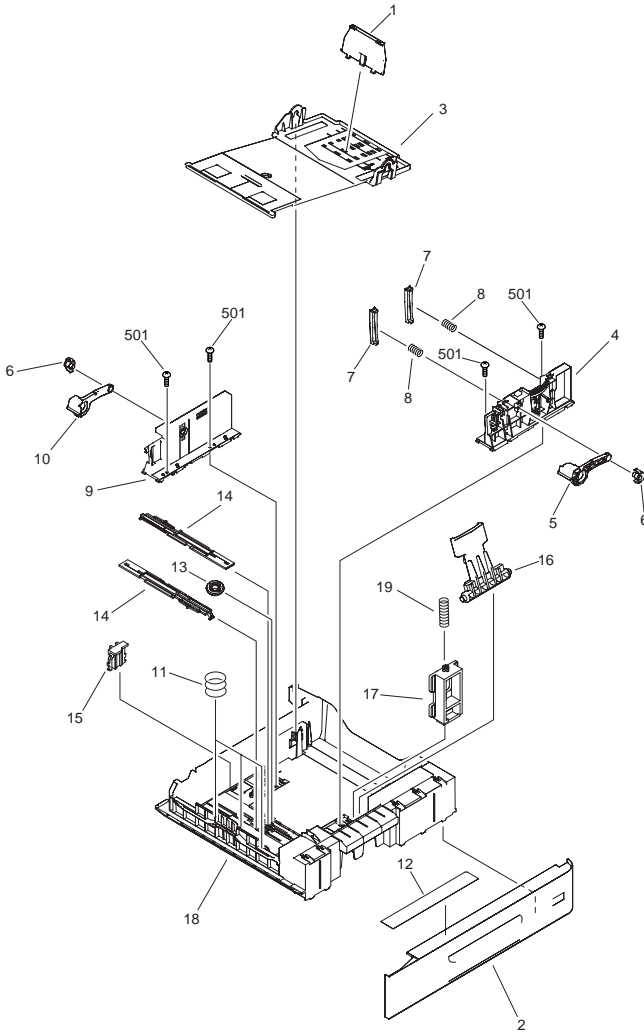


FIGURE & KEY NO.	PARTS NUMBER	R A N K	Q'TY	DESCRIPTION	SERIAL NUMBER/ REMARKS	S V C
Fig.301	NPN		RF	CASSETTE	CN ONLY	
1	FC6-7377-000		1	PLATE, SIZE, REAR		
2	FC6-7382-000		1	PANEL, FRONT		
3	FL2-3891-000		1	PLATE, CST, LIFTER		
4	FC6-7372-000		1	PLATE, SIDE LIMIT, FRONT		
5	FC7-2989-000		1	CLAW, SEPARATION, FRONT		
6	FC6-7376-000		2	PIN, SUPPORT, CLAW		
7	FC6-7380-000		2	RETAINER, SHEET		
8	FU6-2410-000		2	SPRING, COMPRESSION		
9	FC6-7374-000		1	PLATE, SIDE LIMIT, REAR		
10	FC7-2990-000		1	CLAW, SEPARATION, REAR		
11	FU6-2408-020		3	SPRING		
12	FC6-7389-000		1	LABEL, CASSETTE OPERATOR		
13	FC5-4914-000		1	GEAR, PINION		
14	FC6-7379-000		2	GEAR, RACK		
15	FC7-5831-000		1	STOPPER		
16	FC6-7378-000		1	LEVER, PAPER SIDE END LOCK		
17	FC6-7386-000		1	LOCK, PAPER SIDE END		
18	FC6-7370-000		1	BODY, CASSETTE		
19	FU6-2413-000		1	SPRING, COMPRESSION		
501	XB4-7400-807		4	SCREW,TAPPING,TRUSS HEAD.M4X8		

# FIGURE 310 PAPER PICK-UP ASSEMBLY

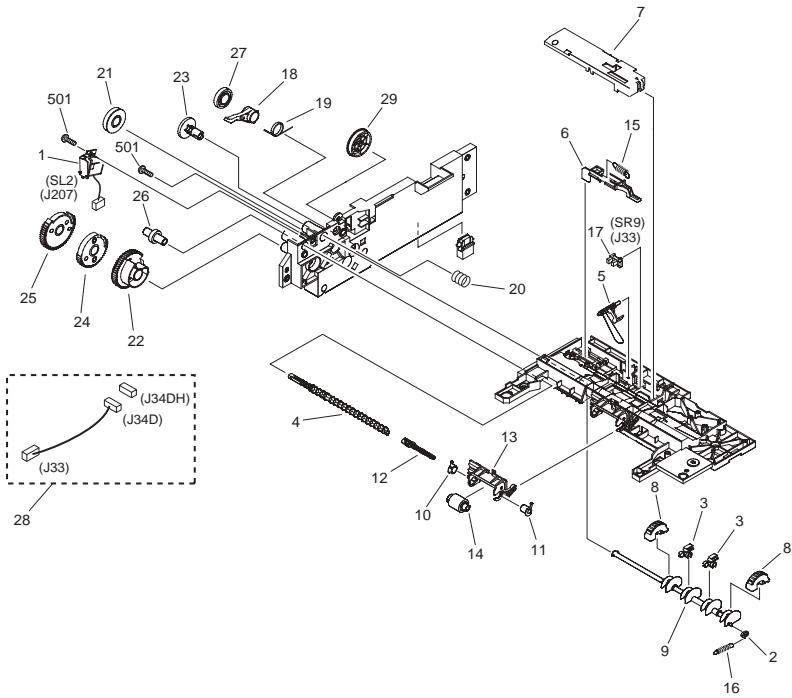


FIGURE & KEY NO.	PARTS NUMBER	R A N K	Q'TY	DESCRIPTION	SERIAL NUMBER/ REMARKS	S V C
Fig.310	NPN		RF	PAPER PICK-UP ASSEMBLY		
1	FK2-1412-000		1	SOLENOID	SL2 J207	
2	FB4-9820-000		1	COLLAR, SPRING		
3	FC6-7353-000		2	BUSHING, PICK-UP ROLLER		
4	FC6-7358-000		1	SHAFT, FEED ROLLER		
5	FC6-7366-000		1	FLAG, SENSOR		
6	FC6-7367-000		1	LEVER, SENSOR		
7	FC6-7368-000		1	COVER, SENSOR		
8	FB4-9817-030		2	ROLLER, PICK-UP		
9	FC6-7352-000		1	SHAFT, PICK-UP ROLLER		
10	FC5-4849-000		1	BUSHING,FACE-DOWN ROLLER		
11	FC6-7354-000		1	BUSHING, FEED ROLLER		
12	FC6-7357-000		1	SHAFT, FEED ROLLER		
13	FC6-7361-000		1	HOLDER, FEED ROLLER		
14	FL2-3887-000		1	ROLLER, FEED		
15	FU6-2406-000		1	SPRING, TENSION		
16	FU6-2407-000		1	SPRING, TENSION		
17	WG8-5776-000		1	IC,PHOTO-INTERRUPTER,SG-2481	SR9 J33	
18	FC6-7365-000		1	LEVER, TRIGGER		
19	FC6-7396-000		1	SPRING, TORSION		
20	FU6-2411-000		1	SPRING, COMPRESSION		
21	FU7-0009-000		1	GEAR, 34T		
22	FU7-0010-000		1	GEAR, 54T		
23	FU7-0011-000		1	GEAR, 29T		
24	FU7-0012-000		1	GEAR, 29T		
25	FU7-0013-000		1	GEAR, 41T		
26	FU7-0014-000		1	GEAR, 17T		
27	FU7-0015-000		1	GEAR, 28T		
28	FM2-4931-000		1	SENSOR CABLE UNIT	J33,34D,34DH	
29	FU7-0054-000		1	GEAR, 45T		
501	XB4-5401-005		SR	SCREW, P, M4X10		



# FIGURE 315 MULTI PAPER PICK-UP TRAY ASSEMBLY

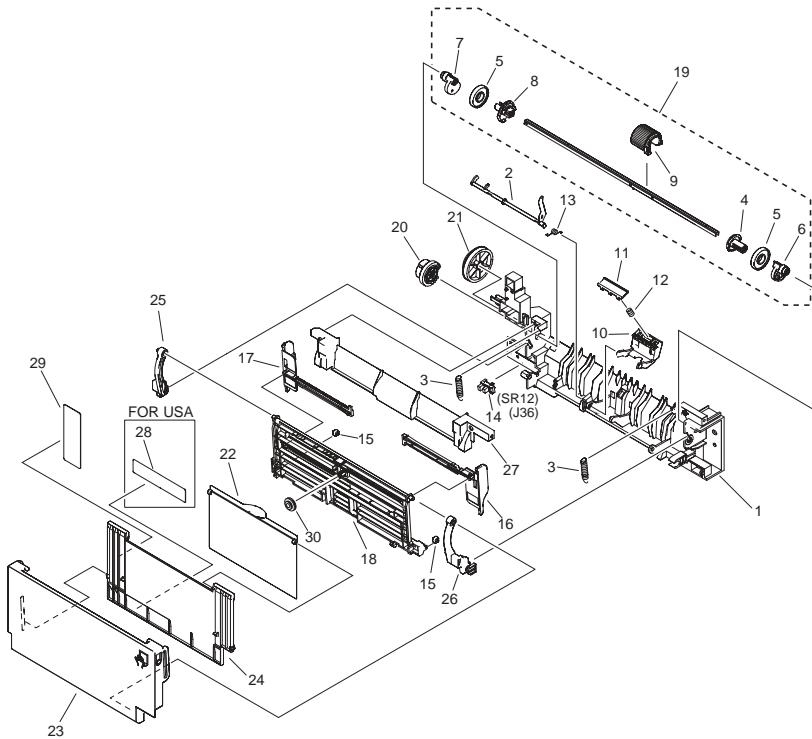


FIGURE & KEY NO.	PARTS NUMBER	R A N K	Q'TY	DESCRIPTION	SERIAL NUMBER/ REMARKS	S V C
Fig.315	NPN		RF	MULTI PAPER PICK-UP TRAY ASS'Y		
1	FC6-7411-020		1	FRAME, FEED PICK-UP		
2	FC6-7415-000		1	ARM, SENSOR		
3	FU6-2423-000		2	SPRING, TORSION		
4	FC6-7427-000		1	BUSHING		
5	FC6-7429-000		2	COLLAR		
6	FC6-7430-000		1	CAM, MP, RIGHT		
7	FC6-7431-000		1	CAM, MP, LEFT		
8	FC6-7432-000		1	CAM, ROLLER		
9	FL2-3897-000		1	ROLLER, MP PICK-UP		
10	FC6-7410-000		1	ARM, HOLDER		
11	FL2-3898-020		1	HOLDER, SEPARATION PAD		
12	FU6-2424-000		1	SPRING, COMPRESSION		
13	FU6-2425-000		1	SPRING, TORSION		
14	WG8-5776-000		1	IC.PHOTO-INTERRUPTER,SG-2481	SR12 J36	
15	FC6-7418-000		2	COLLAR		
16	FC6-7419-000		1	GUIDE, SLIDE, RIGHT		
17	FC6-7420-000		1	GUIDE, SLIDE, LEFT		
18	FL2-3899-000		1	TRAY, MULTI-PURPOSE		
19	FM2-5274-000		1	MP PICK-UP ROLLER UNIT		
20	FU7-0025-000		1	GEAR, 30T		
21	FU7-0026-000		1	GEAR, 31T/58T		
22	FC6-7423-000		1	TRAY, SUB, 2		
23	FC6-7424-000		1	PANEL, MULTI-PURPOSE TRAY		
24	FC6-7425-000		1	TRAY, SUB, 1		
25	FC6-7412-000		1	HINGE, MULTIFEEDER, LEFT		
26	FC6-7413-000		1	HINGE, MULTIFEEDER, RIGHT		
27	FC6-7416-000		1	COVER, MULTIFEEDER, B		
28	FC6-7653-000		1	LABEL, MULTI TRAY SIZE	FOR USA	
29	FC7-0548-000		1	LABEL, MULTI TRAY PAPER SET	FOR EUR	
29	FC7-0549-000		1	LABEL, MULTI TRAY PAPER SET	FOR USA	
29	FC7-0550-000		1	LABEL, MULTI TRAY PAPER SET	FOR ASIA	

FIGURE & KEY NO.	PARTS NUMBER	R A N K	Q'TY	DESCRIPTION	SERIAL NUMBER/ REMARKS	S V C
30	FC5-4914-000		1	GEAR		

FIGURE 320  
REGISTRATION ASSEMBLY (OLD TYPE)

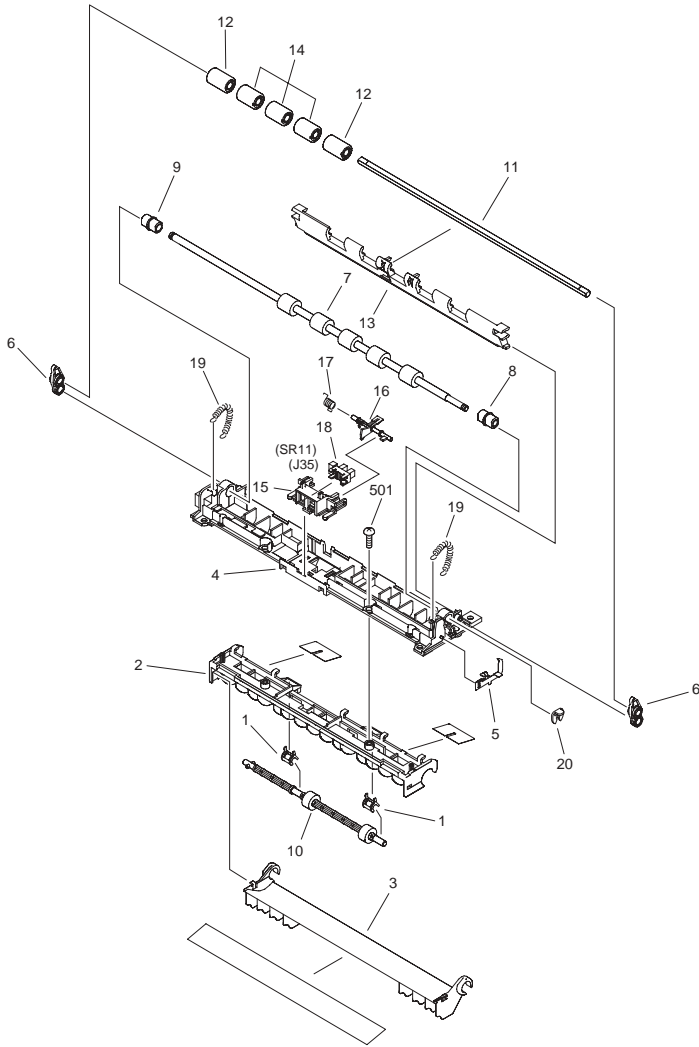


FIGURE & KEY NO.	PARTS NUMBER	R A N K	Q'TY	DESCRIPTION	SERIAL NUMBER/ REMARKS	S V C
Fig.320	NPN		RF	REGISTRATION ASSEMBLY	OLD TYPE	
1	FC6-7401-000		2	BUSHING, FEED ROLLER		
2	FC6-7406-020		1	GUIDE, DUPLEXING INSIDE		
3	FC6-7414-000		1	COVER, MP PICK-UP, A		
4	FC6-7435-000		1	FRAME, REGISTRATION		
5	FC6-7436-000		1	PLATE, GROUNDING		
5	FC6-7436-000		1	PLATE, GROUNDING		
6	FC6-7437-000		2	ARM, REG.ROL, PRESSURE		
6	FC6-7437-000		2	ARM, REG.ROL, PRESSURE		
7	FC6-7441-000		1	ROLLER, REGISTRATION		
7	FC6-7441-000		1	ROLLER, REGISTRATION		
8	FC6-7462-000		1	ROLLER, REGISTRATION		
8	FC6-7462-000		1	ROLLER, REGISTRATION		
9	FC6-7463-000		1	BUSHING, REGISTRATION ROLLER		
9	FC6-7463-000		1	BUSHING, REGISTRATION ROLLER		
10	FL2-3900-000		1	ROLLER, FEED		
10	FL2-3900-000		1	ROLLER, FEED		
11	FC6-7438-000		1	SHAFT, REGISTRATION ROLLER		
11	FC6-7438-000		1	SHAFT, REGISTRATION ROLLER		
12	FC6-7439-000		2	COLLAR, FEEDER		
12	FC6-7439-000		2	COLLAR, FEEDER		
13	FC6-7440-000		1	GUIDE, PRE-REGISTRATION		
13	FC6-7440-000		1	GUIDE, PRE-REGISTRATION		
14	FC6-7468-000		3	COLLAR, FEEDER		
14	FC6-7468-000		3	COLLAR, FEEDER		
14	FC6-7468-000		3	COLLAR, FEEDER		
14	FC6-7468-000		3	COLLAR, FEEDER		
15	FC6-7442-040		1	HOLDER, SENSOR		
16	FC6-7443-020		1	FLAG, SENSOR		
17	FC6-7444-000		1	SPRING, TORSION		
18	WG8-5776-000		1	PHOTO INTERRUPTER SG-2481	SR11 J35	
19	FU6-2431-000		1	SPRING, TENSION		

FIGURE & KEY NO.	PARTS NUMBER	R A N K	Q'TY	DESCRIPTION	SERIAL NUMBER/ REMARKS	S V C
19	FU6-2431-000		1	SPRING, TENSION		
20	FB4-2007-000		1	RING, RETAINING		
501	XB4-7401-007		2	SCREW,TAPPING,PAN HEAD,M4X10		

# FIGURE 320A REGISTRATION ASSEMBLY (NEW TYPE)

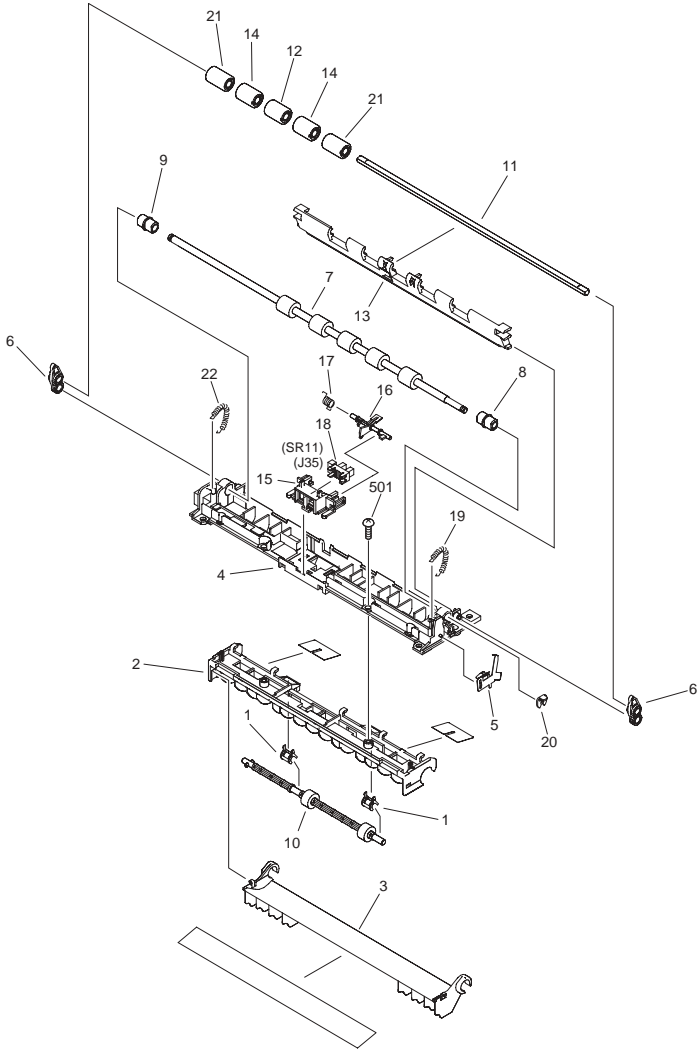


FIGURE & KEY NO.	PARTS NUMBER	R A N K	Q'TY	DESCRIPTION	SERIAL NUMBER/ REMARKS	S V C
Fig.320A	NPN		RF	REGISTRATION ASSEMBLY	NEW TYPE	
1	FC6-7401-000		2	BUSHING, FEED ROLLER		
2	FC6-7406-020		1	GUIDE, DUPLEXING INSIDE		
3	FC6-7414-000		1	COVER, MP PICK-UP, A		
4	FL2-3892-000		1	FRAME, REGISTRATION		
5	FC7-5824-000		1	PLATE, GROUNDING		
6	FC7-5819-000		2	ARM, REG.ROL, PRESSURE		
7	FC7-5820-000		1	ROLLER, REGISTRATION		
8	FC7-5825-000		1	BUSHING, REGISTRATION ROLLER		
9	FC7-5826-000		1	BUSHING, REGISTRATION ROLLER		
10	FL2-3901-000		1	ROLLER, FEED		
11	FC7-5822-000		1	SHAFT, REGISTRATION ROLLER		
12	FC7-5823-000		1	COLLAR, FEEDER		
13	FC7-7152-020		1	GUIDE, PRE-REGISTRATION		
14	FC7-5827-000		2	COLLAR, FEEDER		
15	FC6-7442-040		1	HOLDER, SENSOR		
16	FC6-7443-020		1	FLAG, SENSOR		
17	FC6-7444-000		1	SPRING, TORSION		
18	WG8-5776-000		1	PHOTO INTERRUPTER SG-2481	SR11 J35	
19	FU6-2414-000		1	SPRING, TENSION		
20	FB4-2007-000		1	RING, RETAINING		
21	FC7-5828-000		2	COLLAR, FEEDER		
22	FU6-2416-000		1	SPRING, TENSION, RED		
501	XB4-7401-007		2	SCREW,TAPPING,PAN HEAD,M4X10		



# FIGURE 460 LASER SCANNER ASSEMBLY

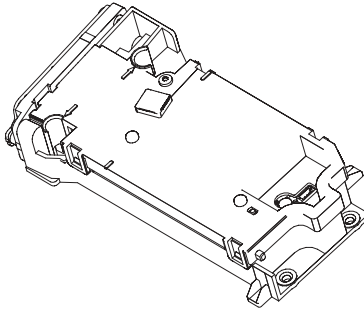


FIGURE & KEY NO.	PARTS NUMBER	RANK	QTY	DESCRIPTION	SERIAL NUMBER/ REMARKS	SVC
Fig.460	FM2-5271-000		1	LASER SCANNER UNIT	M2	

# FIGURE 810 FIXING ASSEMBLY

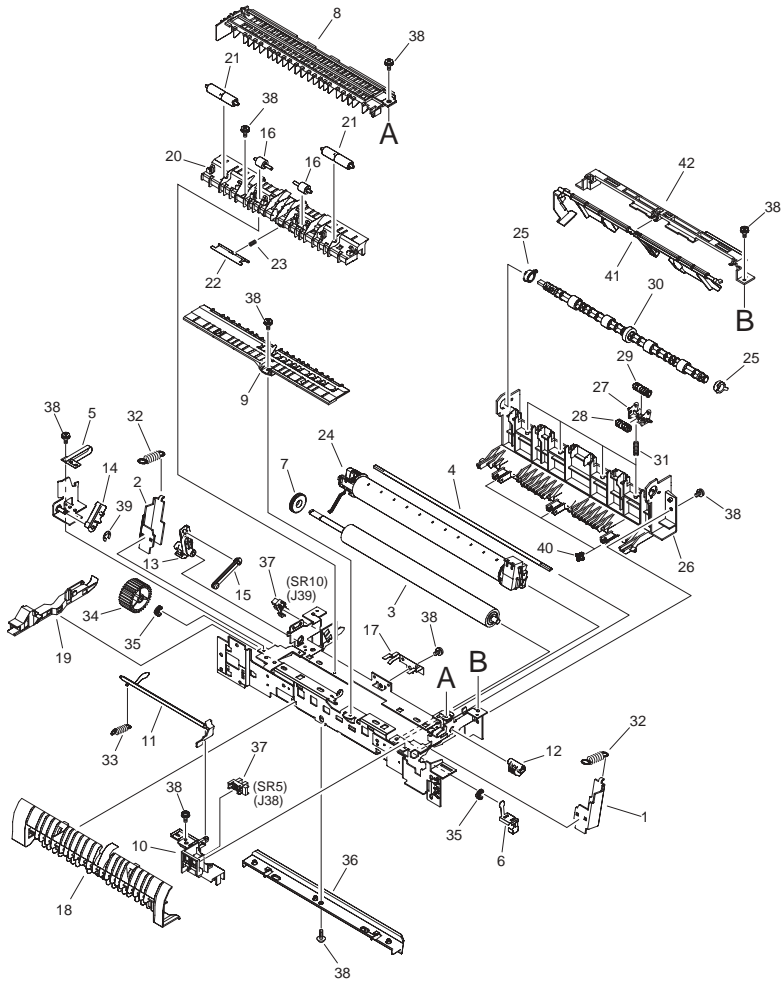


FIGURE & KEY NO.	PARTS NUMBER	R A N K	Q'TY	DESCRIPTION	SERIAL NUMBER/ REMARKS	S V C
Fig.810	FM2-5297-000		1	FIXING ASSEMBLY	100V	
Fig.810	FM2-5278-000		1	FIXING ASSEMBLY	120V	
Fig.810	FM2-5298-000		1	FIXING ASSEMBLY	230V	
1	FC6-7480-000		1	PLATE, PRESSURE, FRONT		
2	FC6-7481-000		1	PLATE, PRESSURE, REAR		
3	FC6-7482-000		1	ROLLER, PRESSURE		
4	FC6-7483-000		1	SHAFT, ARM		
5	FC6-7484-000		1	SPRING, PLATE		
6	FC6-7485-000		1	SPRING, PLATE		
7	FC6-7486-000		1	RUBBER, PRESSURE ROLLER		
8	FC6-7488-000		1	GUIDE, REVERSE, UPPER		
9	FC6-7489-000		1	GUIDE, DUPLEXING ENTRANCE		
10	FC6-7490-020		1	MOUNT, DELIVERY SENSOR		
11	FC6-7491-000		1	FLAG, SENSOR		
12	FC6-7492-000		1	ARM, PRESSURE RELEASE, FRONT		
13	FC6-7493-000		1	ARM, PRESSURE RELEASE, REAR		
14	FC6-7494-000		1	ARM, LINK		
15	FC6-7495-000		1	ARM, LINK		
16	FC6-7496-000		2	COLLAR		
17	FC6-7506-000		1	SPRING, PLATE		
18	FC6-7507-000		1	GUIDE, DUPLEXING INNER		
19	FC6-7518-000		1	GUIDE, CABLE		
20	FC6-7487-000		1	GUIDE, REVERSE, LOWER		
21	FC6-7497-000		2	COLLAR		
22	FC6-7505-000		1	FLAG, STOPPER		
23	FU6-2474-000		1	SPRING, COMPRESSION		
24	FM2-5295-000		1	FILM UNIT	100V	
24	FM2-5280-000		1	FILM UNIT	120V	
24	FM2-5296-000		1	FILM UNIT	230V	
25	FC5-4849-000		2	BUSHING, DELIVERY ROLLER		
26	FC6-7501-000		1	FRAME, DELIVERY		
27	FC6-7502-020		4	HOLDER, ROLLER		

FIGURE & KEY NO.	PARTS NUMBER	R A N K	Q'TY	DESCRIPTION	SERIAL NUMBER/ REMARKS	S V C
28	FC6-7503-000		4	ROLLER, PAPER DELIVERY, INSIDE		
30	FL2-3908-000		1	ROLLER, DELIVERY		
31	FU6-2473-000		4	SPRING, COMPRESSION		
32	FU6-2471-000		2	SPRING, TENSION		
33	FU6-2472-000		1	SPRING, TENSION		
34	FU7-0034-000		1	GEAR, 32T		
35	RB2-2973-000		2	BUSHING		
36	FC6-7478-000		1	GUIDE, ENTRANCE		
37	WG8-5776-000		2	IC,PHOTO-INTERRUPTER,SG-2481	SR5,10 J38,39	
38	XA9-0702-000		11	SCREW, M3		
39	XD9-0134-000		1	RING,E		
40	FC6-7528-000		3	ROWEL		
41	FC6-7529-000		1	LEVER, FULL DETECT		
42	FC6-7530-050		1	FRAME, LEVER, SUPPORT		

# FIGURE 930 PCB ASSEMBLY

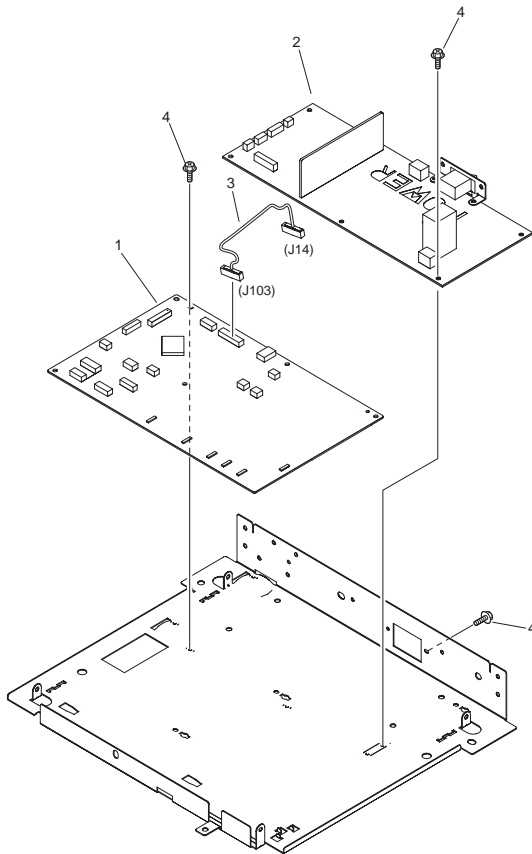


FIGURE & KEY NO.	PARTS NUMBER	RANK	Q'TY	DESCRIPTION	SERIAL NUMBER/REMARKS	SVC
Fig.930	NPN		RF	PCB ASSEMBLY		
1	FM2-4912-040		1	DC CONTROLLER PCB ASSEMBLY	100V/ 120VEXCEPTimageCLASS MF6595cx/MF6595/9590/9540/MF6520	
1	FM2-4913-040		1	DC CONTROLLER PCB ASSEMBLY	230V	
1	FM2-4915-000		1	DC CONTROLLER PCB ASSEMBLY	120VimageCLASS MF6595cx/MF6595/9590/9540/MF6520	
2	FK2-1371-000		1	POWER SUPPLY PCB ASSEMBLY	100V	
2	FK2-3208-000		1	POWER SUPPLY PCB ASSEMBLY	120VEXCEPTimageCLASS MF6595cx/MF6595/9590/9540/MF6520	
2	FK2-1373-000		1	POWER SUPPLY PCB ASSEMBLY	230V	
2	FK2-1375-000		1	POWER SUPPLY PCB ASSEMBLY	120VimageCLASS MF6595cx/MF6595/9590/9540/MF6520	
3	FM2-4921-000		1	CABLE, DCCON-PSU	J103,14	
4	XA9-1567-000		6	SCREW, RS, M3X8.5		

# FIGURE 950 IMAGE PROCESSOR PCB ASSEMBLY

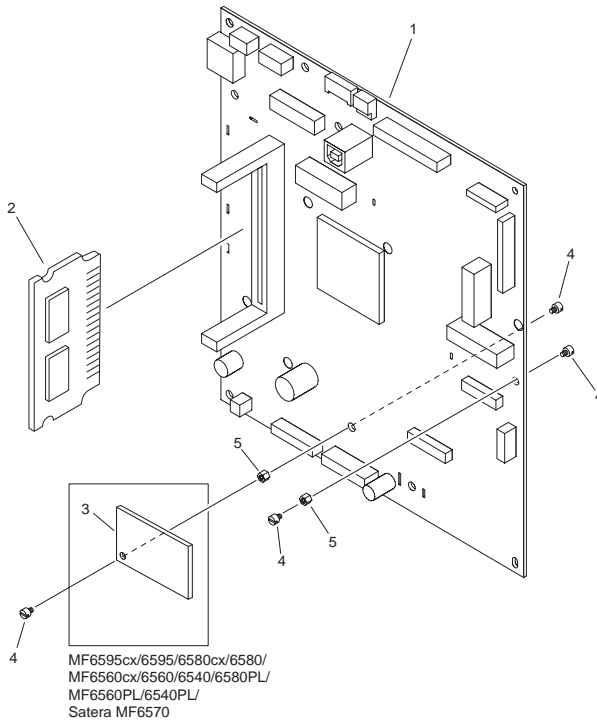


FIGURE & KEY NO.	PARTS NUMBER	R A N K	Q'TY	DESCRIPTION	SERIAL NUMBER/REMARKS	S V C
Fig.950	NPN		RF	IMAGE PROCESSOR PCB ASS'Y		
1	FM2-5042-080		1	IMAGE PROCESSOR PCB ASSEMBLY	MF6550/6530	
1	FM2-5055-000		1	IMAGE PROCESSOR PCB ASSEMBLY	imageCLASS MF6531	
1	FM2-5043-080		1	IMAGE PROCESSOR PCB ASSEMBLY	imageCLASS MF6580cx/ MF6580/6570/6560cx/ MF6560/i-SENSYS MF6580PL/MF6560PL/ 6540PL/LaserBase MF6580PL/MF6560PL/ 6540PL/Satera MF6570	
1	FM2-6095-000		1	IMAGE PROCESSOR PCB ASSEMBLY	imageCLASS MF6520	
1	FM2-6096-000		1	IMAGE PROCESSOR PCB ASSEMBLY	imageCLASS MF6595cx/ MF6595/6590/6540	
2	FM2-5046-000		1	DDR MODULE PCB ASS'Y	imageCLASS MF6550/ MF6531/6530/i-SENSYS MF6550/LaserBase MF6550	
2	FM2-4055-000		1	DDR MODULE PCB ASS'Y	imageCLASS MF6595cx/ MF6595/6590/6580cx/ MF6580/6570/6560cx/ MF6560/6540/i-SENSYS MF6580PL/MF6560PL/ 6540PL/LaserBase MF6580PL/MF6560PL/ 6540PL	
3	FM2-5054-080		1	ROM PCB ASSEMBLY	MF6580cx/6580/6560cx/ MF6560/6540/6580PL/ MF6560PL/6540PL/Satera MF6570	
3	FM2-6097-000		1	ROM PCB ASSEMBLY	MF6595cx/6595	
4	FU5-9340-000		4	SCREW, STEPPED, M3X4		
5	VT2-5177-005		2	SPACER, METAL		
IC140	FK2-0949-000		1	IC, UPD65942GC-Y24, GATE ARRAY		
BAT1	WK1-5130-000		1	BATTERY, LITHIUM, CR2032THJ6		



# FIGURE R30 CASSETTE

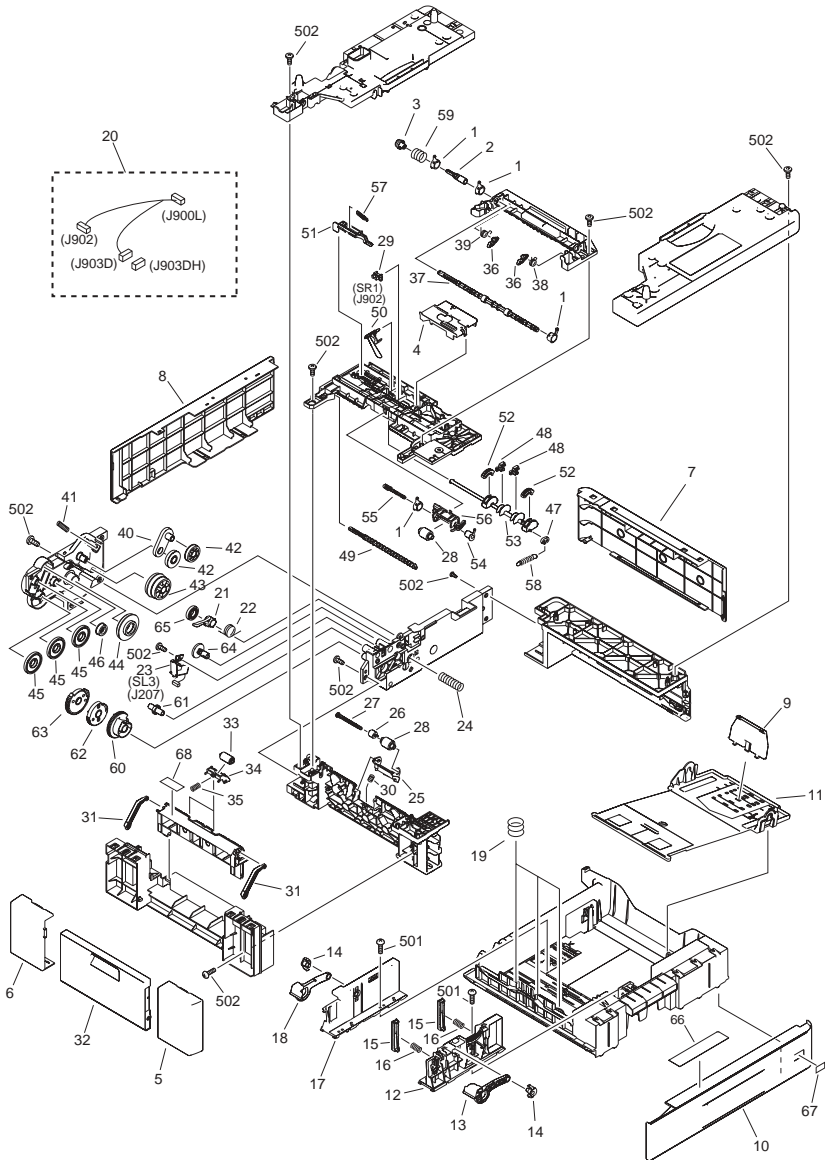


FIGURE & KEY NO.	PARTS NUMBER	R A N K	Q'TY	DESCRIPTION	SERIAL NUMBER/ REMARKS	S V C
Fig.R30	NPN		RF	CASSETTE	imageCLASS MF6595cx/ MF6580cx/6560cx	
1	FC5-4849-000		4	BUSHING,FACE-DOWN ROLLER		
2	FC6-7669-000		1	COUPLING		
3	FC6-7670-000		1	LINK, FEED DRIVE		
4	FC6-7671-000		1	COVER, SENSOR		
5	FC6-7673-000		1	COVER, LEFT FRONT		
6	FC6-7674-000		1	COVER, LEFT REAR		
7	FC6-7675-000		1	COVER, RIGHT		
8	FC6-7676-000		1	COVER, REAR		
9	FC6-7377-000		1	PLATE, SIZE, REAR		
10	FC6-7382-000		1	PANEL, FRONT		
11	FL2-3889-000		1	PLATE, CST, LIFTER		
12	FC6-7372-000		1	PLATE, SIDE LIMIT, FRONT		
13	FC7-2989-000		1	CLAW, SEPARATION, FRONT		
14	FC6-7376-000		2	PIN, SUPPORT, CLAW		
15	FC6-7380-000		2	RETAINER, SHEET		
16	FU6-2410-000		2	SPRING, COMPRESSION		
17	FC6-7374-000		1	PLATE, SIDE LIMIT, REAR		
18	FC7-2990-000		1	CLAW, SEPARATION, REAR		
19	FU6-2408-020		3	SPRING, LEAF		
20	FM2-5882-000		1	CABLE, CASSETTE		
21	FC6-7365-000		1	LEVER, TRIGGER		
22	FC6-7396-000		1	SPRING, TORSION		
23	FK2-1412-000		1	SOLENOID	SL3 J207	
24	FU6-2411-000		1	SPRING, COMPRESSION		
25	FC6-7360-000		1	PLATE, SEPARATION PRESSURE		
26	FC6-7362-000		1	SHAFT, REGISTRATION ROLLER		
27	FC6-7392-000		1	LIMITTER, TORQUE		
28	FL2-3887-000		2	ROLLER, FEED		
29	WG8-5776-000		1	IC,PHOTO-INTERRUPTER,SG-2481	SR1 J902	
30	FU6-2412-000		1	SPRING, COMPRESSION		

FIGURE & KEY NO.	PARTS NUMBER	R A N K	Q'TY	DESCRIPTION	SERIAL NUMBER/ REMARKS	S V C
31	FC6-7664-000		2	ARM, GUIDE		
32	FC6-7672-000		1	COVER, FEED		
33	FC5-5393-000		2	ROLLER, PAPER FEED		
34	FC6-7661-000		2	HOLDER, COLLAR		
35	FU6-2486-000		2	SPRING, COMPRESSION		
36	FC6-7663-000		2	LOCK, GUIDE		
37	FL2-3952-000		1	ROLLER, PAPER DELIVERY		
38	FU6-2487-000		1	SPRING, TORSION		
39	FU6-2490-000		1	SPRING, TORSION		
40	FC6-7668-000		1	BLOCK, SWING		
41	FU6-2488-000		1	SPRING, COMPRESSION		
42	FU7-0009-000		2	GEAR, 34T		
43	FU7-0089-000		1	GEAR, 47T/45T		
44	FU7-0090-000		1	GEAR, 30T/54T		
45	FU7-0091-000		3	GEAR, 45T		
46	FU7-0092-000		1	GEAR, 22T		
47	FB4-9820-000		1	COLLAR, SPRING		
48	FC6-7353-000		2	BUSHING, PICK-UP ROLLER		
49	FC6-7358-000		1	SHAFT, FEED ROLLER		
50	FC6-7366-000		1	FLAG, SENSOR		
51	FC6-7367-000		1	LEVER, SENSOR		
52	FB4-9817-030		2	ROLLER, PICK-UP		
53	FC6-7352-000		1	SHAFT, PICK-UP ROLLER		
54	FC6-7354-000		1	BUSHING, FEED ROLLER		
55	FC6-7357-000		1	SHAFT, FEED ROLLER		
56	FC6-7361-000		1	HOLDER, FEED ROLLER		
57	FU6-2406-000		1	SPRING, TENSION		
58	FU6-2407-000		1	SPRING, TENSION		
59	FU6-2489-000		1	SPRING, COMPRESSION		
60	FU7-0010-000		1	GEAR, 54T		
61	FU7-0011-000		1	GEAR, 29T		
62	FU7-0012-000		1	GEAR, 29T		

FIGURE & KEY NO.	PARTS NUMBER	R A N K	Q'TY	DESCRIPTION	SERIAL NUMBER/ REMARKS	S V C
63	FU7-0013-000		1	GEAR, 41T		
64	FU7-0014-000		1	GEAR, 17T		
65	FU7-0015-000		1	GEAR, 28T		
66	FC6-7385-000		1	LABEL, CASSETTE OPERATOR		
67	FC6-7384-000		1	LABEL, CASSETTE PAPER SIZE		
68	FC6-7677-000		1	LABEL, JAM		
501	XB4-7400-807		AR	SCREW,TAPPING,TRUSS HEAD,M4X8		
502	XB4-7401-007		AR	SCREW,TAPPING,PAN HEAD,M4X10		

Prepared by  
OIP HFE Promotion Center  
CANON INC.

**Canon**