

# **PARTS CATALOG**

**LBP3200/3210**

**Canon**

**Jul 18 2006**



## **PREFACE**

This Parts Catalog contains listings of parts used

Diagrams are provided with the listings to aid the service technician in identifying clearly, the item to be ordered.

Whenever ordering parts, consult this Parts Catalog for all of the information pertaining to each item. Be sure to include, in the Parts Request, the full item description, the item part number, and the quantity.

***COPYRIGHT (C) 1999 CANON INC.***

Use of this manual should be strictly supervised to avoid disclosure of confidential information.



# Contents

## NUMERICAL INDEX

LBP3200/3210 ..... 1-1

## LBP3200/3210

A	ASSEMBLY LOCATION DIAGRAM .....	2-1
001	PACKAGE COMPONENTS .....	2-2
100	EXTERNAL COVERS,PANELS,ETC .....	2-3
101	INTERNAL COMPONENTS 1 .....	2-5
102	INTERNAL COMPONENTS 2 .....	2-7
103	INTERNAL COMPONENTS 3 .....	2-9
104	INTERNAL COMPONENTS 4 .....	2-11
105	INTERNAL COMPONENTS 5 .....	2-13
110	POWER CORD TERMINAL ASSEMBLY .....	2-15
300	CASSETTE .....	2-17



# NUMERICAL INDEX

## LBP3200/3210

PARTS NUMBER	FIGURE & KEY NO.	PARTS NUMBER	FIGURE & KEY NO.	PARTS NUMBER	FIGURE & KEY NO.
FC5-4771-000	101 -	FC5-7526-000	100 - 4	FM5-5341-000	101 - 3
FC5-4773-000	105 -	FC5-7536-000	300 - 3	FM5-5342-000	101 - 3
FC5-4775-000	102 - 1	FC5-7542-000	100 - 6	FM5-5343-000	101 - 4
FC5-4778-000	102 - 8	FC6-3960-000	100 - 10	FU5-0698-000	105 - 16
FC5-4780-000	100 - 1	FG3-3805-040	101 - 4	FU5-0699-000	102 - 11
FC5-4799-000	103 - 2	FH2-7092-020	110 - 5	FU5-0699-000	102 -
FC5-4800-020	103 - 1	FH2-7192-000	110 -	FU5-0700-000	104 - 6
FC5-4807-000	103 - 7	FH3-2665-030	110 - 1	FU5-0701-000	104 - 7
FC5-4808-000	101 - 1	FH3-2666-030	110 - 1	FU5-0702-000	104 - 8
FC5-4814-020	101 - 2	FH3-2687-000	110 - 1	FU5-0703-000	104 - 9
FC5-4821-000	102 - 9	FH5-1130-000	104 - 5	FU5-0704-000	104 - 10
FC5-4827-000	105 - 1	FH5-1130-000	104 - 5	FU5-0705-000	104 - 13
FC5-4828-000	105 - 2	FH5-3456-020	001 - 1	FU5-0707-000	104 - 3
FC5-4829-000	105 - 3	FH5-3457-000	001 - 1	FU5-0709-000	104 - 4
FC5-4830-000	105 - 4	FH5-3458-020	001 - 1	FU5-0710-000	104 - 14
FC5-4832-000	105 - 6	FH5-3716-020	001 - 1	FU5-0713-000	105 - 15
FC5-4833-000	102 - 3	FH6-5093-000	104 - 1	FU5-0714-000	104 - 11
FC5-4834-000	105 - 7	FH6-5132-000	104 - 1	FU5-0716-000	103 - 8
FC5-4836-000	102 -	FL2-1042-000	103 - 4	FU5-2425-000	105 - 14
FC5-4849-000	102 -	FL2-1043-000	102 - 5	FU5-2429-000	104 - 15
FC5-4850-000	102 - 10	FL2-1044-000	105 - 13	FU5-2431-000	104 - 20
FC5-4851-050	102 -	FL2-1046-000	103 - 5	FU5-2434-000	300 - 4E
FC5-4856-000	100 - 2	FL2-1047-000	300 - 4C	FU5-2435-020	100 -
FC5-4857-000	100 - 3	FL2-1050-000	102 - 6	FU5-2435-020	100 -
FC5-4858-000	100 - 4	FL2-1051-040	100 - 3	NPN	001 -
FC5-4861-000	105 - 8	FM2-1060-000	100 - 7	NPN	100 -
FC5-4862-000	105 - 9	FM2-1061-000	100 - 7	NPN	101 -
FC5-4865-000	102 -	FM2-1063-000	105 - 11	NPN	102 -
FC5-4867-000	102 -	FM2-1069-000	104 - 2	NPN	103 -
FC5-4871-000	105 - 5	FM2-1075-100	300 - 4	NPN	104 -
FC5-4874-000	104 - 17	FM2-1077-020	100 - 8	NPN	105 -
FC5-4878-000	104 - 16	FM2-1088-000	102 - 2	NPN	110 -
FC5-4882-000	104 - 18	FM2-1847-000	100 - 7	NPN	300 -
FC5-4885-000	100 - 5	FM2-1848-020	100 - 8	RC1-1776-000	103 - 6
FC5-4891-000	110 - 3	FM2-1853-000	102 - 2	XA9-1386-000	100 - 9
FC5-4899-000	104 - 21	FM2-6859-000	105 - 11	XA9-1386-000	101 - 5
FC5-4900-000	104 -	FM2-6860-000	105 - 11	XA9-1386-000	102 - 4
FC5-4901-000	104 - 19	FM2-6861-000	105 - 11	XA9-1386-000	104 - 12
FC5-4901-000	104 -	FM5-5263-000	103 - 3	XA9-1386-000	110 - 4
FC5-4905-020	300 - 4D	FM5-5264-000	105 - 10	XA9-1502-000	102 - 7
FC5-4908-040	300 - 1	FM5-5272-000	110 - 6	XA9-1502-000	105 - 12
FC5-4911-020	300 - 4A	FM5-5273-000	110 - 6	XB2-7300-607	104 - 502
FC5-4913-020	300 - 4B	FM5-5292-000	110 - 6	XB4-7400-807	102 - 501
FC5-4920-000	103 - 12	FM5-5293-000	110 - 6	XB4-7400-807	103 - 501
FC5-4924-000	103 - 11	FM5-5294-000	110 - 6	XB4-7400-807	104 - 501
FC5-4925-000	100 - 6	FM5-5295-000	110 - 6	XB4-7400-807	105 - 501
FC5-4928-030	300 - 2	FM5-5296-000	110 - 6		
FC5-4929-000	103 - 9	FM5-5302-000	101 - 3		
FC5-4930-000	103 - 10	FM5-5303-000	110 - 2		
FC5-4931-020	300 - 3	FM5-5303-000	110 - 2		
FC5-4933-000	300 - 2	FM5-5304-000	103 - 3		
FC5-4935-000	300 - 3	FM5-5305-000	105 - 10		





# **LBP3200/3210**

## **LBP3200**

**100V                    F18-7910-000**

**120V                    F18-7933-000**

**230V                    F18-7941-000**

## **LBP3210**

**100V                    F18-8511-000**

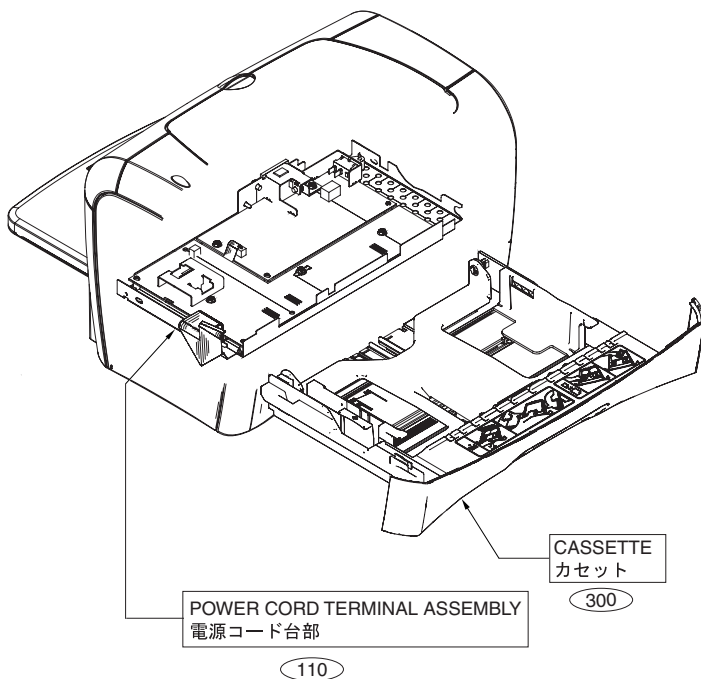


# Contents

A	ASSEMBLY LOCATION DIAGRAM .....	2-1
001	PACKAGE COMPONENTS .....	2-2
100	EXTERNAL COVERS,PANELS,ETC .....	2-3
101	INTERNAL COMPONENTS 1 .....	2-5
102	INTERNAL COMPONENTS 2 .....	2-7
103	INTERNAL COMPONENTS 3 .....	2-9
104	INTERNAL COMPONENTS 4 .....	2-11
105	INTERNAL COMPONENTS 5 .....	2-13
110	POWER CORD TERMINAL ASSEMBLY .....	2-15
300	CASSETTE .....	2-17



# FIGURE A ASSEMBLY LOCATION DIAGRAM



# FIGURE 001 PACKAGE COMPONENTS

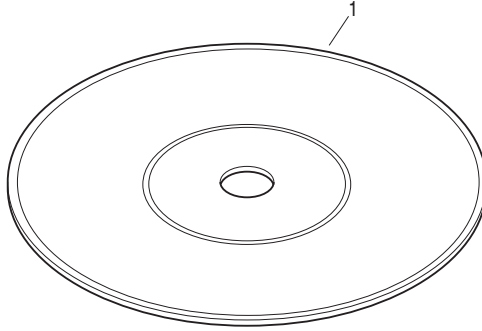


FIGURE & KEY NO.	PARTS NUMBER	RANK	Q'TY	DESCRIPTION	SERIAL NUMBER/REMARKS	SVC
Fig.001	NPN		RF	PACKAGE COMPONENTS		
1	FH5-3456-020		1	CD-ROM, USERSOFTWARE	LBP3200 JPN	
1	FH5-3457-000		1	CD-ROM, USERSOFTWARE	LBP3200 LTN 120V, EUR/ASIA	
1	FH5-3458-020		1	CD-ROM, USERSOFTWARE	LBP3200 TWN, CHN/UK/ LTN 220V/AUS	
1	FH5-3716-020		1	CD-ROM, USER SOFTWARE	LBP3210 JPN	

FIGURE 100  
EXTERNAL COVERS,PANELS,ETC

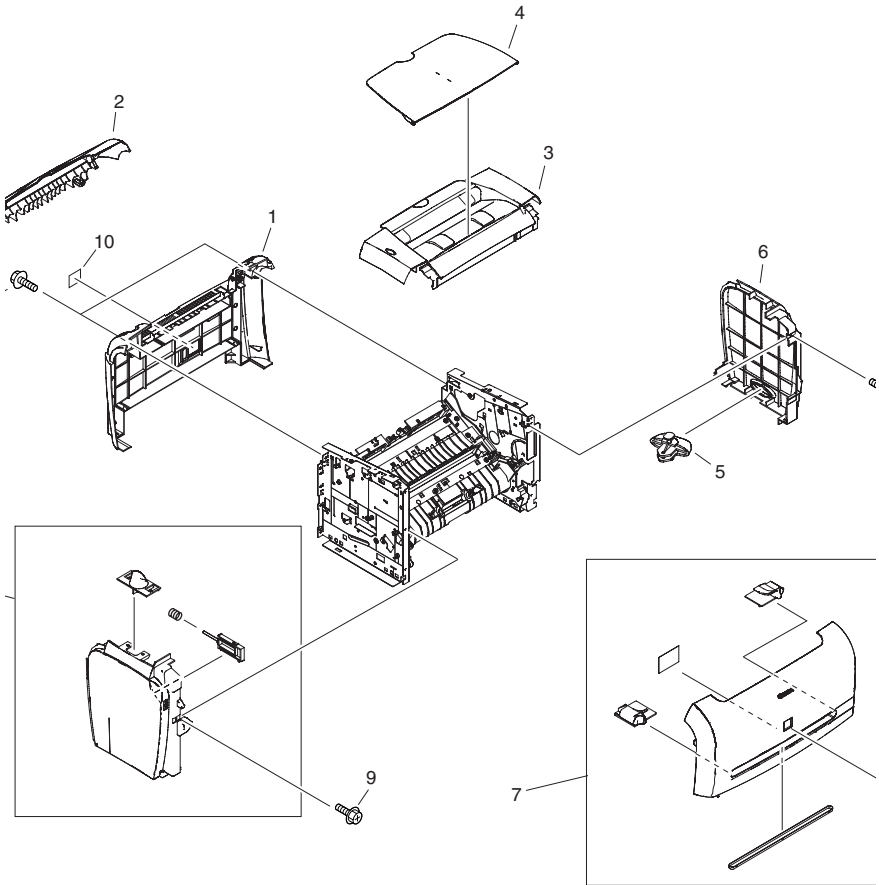


FIGURE & KEY NO.	PARTS NUMBER	R A N K	Q'TY	DESCRIPTION	SERIAL NUMBER/ REMARKS	S V C
Fig.100	NPN		RF	EXTERNAL COVERS,PANELS,ETC		
1	FC5-4780-000		1	COVER, REAR		
2	FC5-4856-000		1	COVER, FACE-UP		
3	FL2-1051-040		1	COVER, TOP	LBP3200	
3	FC5-4857-000		1	COVER, TOP	LBP3210	
4	FC5-4858-000		1	TRAY, AUXILIARY	LBP3200	
4	FC5-7526-000		1	TRAY, AUXILIARY	LBP3210	
5	FC5-4885-000		1	SWITCH, MAIN		
6	FC5-4925-000		1	COVER, RIGHT	LBP3200	
6	FC5-7542-000		1	COVER, RIGHT	LBP3210	
7	FM2-1061-000		1	FRONT COVER UNIT	LBP3200 100V	
7	FM2-1847-000		1	FRONT COVER UNIT	LBP3210 100V	
7	FM2-1060-000		1	FRONT COVER UNIT	LBP3200 120V/220V	
8	FM2-1077-020		1	LEFT COVER UNIT	LBP3200	
8	FM2-1848-020		1	LEFT COVER UNIT	LBP3210	
9	XA9-1386-000		4	SCREW,RS,M3X8		
10	FC6-3960-000		1	LABEL, GROUNDING	LBP3210	
	FU5-2435-020		1	SPRING, COMPRESSION	LBP3210	
	FU5-2435-020		1	SPRING, COMPRESSION	LBP3210	



FIGURE 101  
INTERNAL COMPONENTS 1

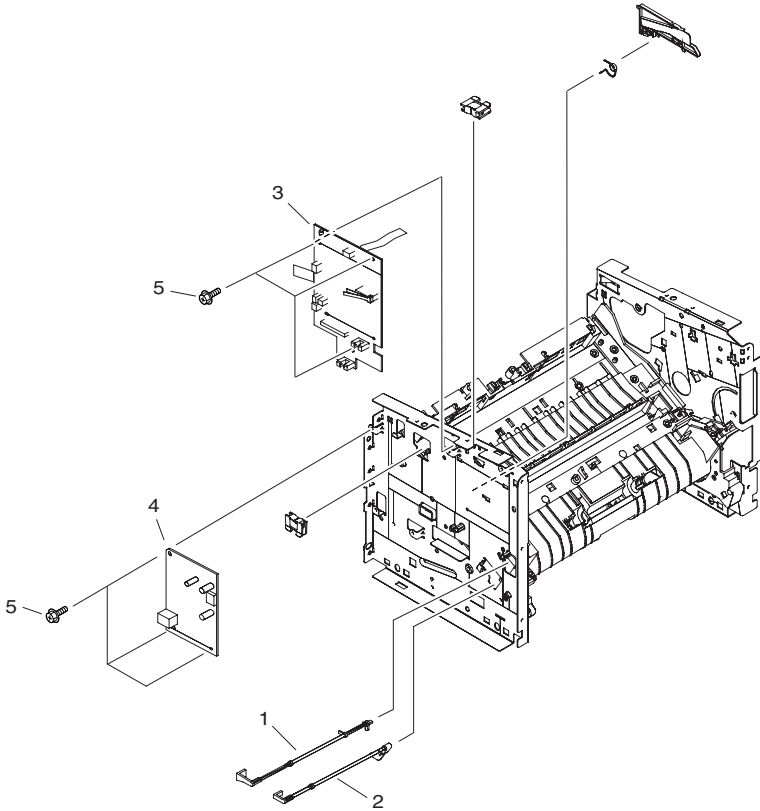


FIGURE & KEY NO.	PARTS NUMBER	RANK	Q'TY	DESCRIPTION	SERIAL NUMBER/REMARKS	SVC
Fig.101	NPN		RF	INTERNAL COMPONENTS 1		
1	FC5-4808-000		1	FLAG, MANUAL FEED SENSOR		
2	FC5-4814-020		1	FLAG, CASSETTE SENSOR		
3	FM5-5341-000		1	ENGINE CONTROLLER PCB ASSEMBLY	100V,120V	
3	FM5-5302-000		1	ENGINE CONTROLLER PCB ASSEMBLY	LBP3210 100V	
3	FM5-5342-000		1	ENGINE CONTROLLER PCB ASSEMBLY	220V	
4	FM5-5343-000		1	CAPT PCB UNIT	LBP3200	
4	FG3-3805-040		1	CAPT PCB UNIT	LBP3210	
5	XA9-1386-000		6	SCREW,RS,M3X8		
	FC5-4771-000		1	GUIDE,CARTRIDGE		

FIGURE 102  
INTERNAL COMPONENTS 2

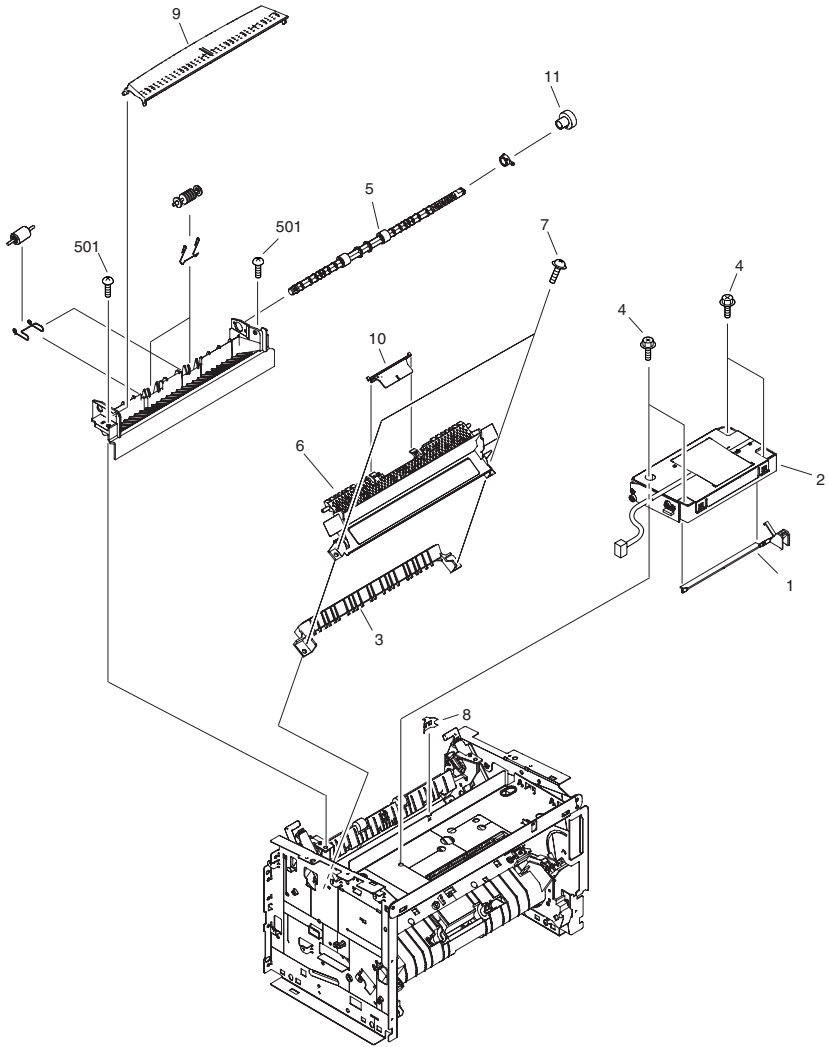


FIGURE & KEY NO.	PARTS NUMBER	RANK	Q'TY	DESCRIPTION	SERIAL NUMBER/REMARKS	SVC
Fig.102	NPN		RF	INTERNAL COMPONENTS 2		
1	FC5-4775-000		1	ARM, LASER SHUTTER		
2	FM2-1853-000		1	LASER/SCANNER UNIT	LBP3200 100V/120V	
2	FM2-1088-000		1	LASER/SCANNER UNIT	LBP3210 100V	
3	FC5-4833-000		1	GUIDE, FIXING ENTRANCE		
4	XA9-1386-000		4	SCREW,RS,M3X8		
5	FL2-1043-000		1	ROLLER, FACE-DOWN DELIVERY		
6	FL2-1050-000		1	COVER, FIXING		
7	XA9-1502-000		2	SCREW,W/WASHER,M4		
8	FC5-4778-000		1	PLATE, GROUNDING		
9	FC5-4821-000		1	COVER, DELIVERY		
10	FC5-4850-000		1	FLAG, ROLL PREVENTION		
11	FU5-0699-000		1	GEAR, 19T		
501	XB4-7400-807		2	SCREW,TAPPING,TRUSS HEAD,M4X8		
	FU5-0699-000		1	GEAR, 19T		
	FC5-4851-050		1	FRAME, DELIVERY		
	FC5-4836-000		2	ROLLER,FACE-UP		
	FC5-4849-000		1	BUSHING,FACE-DOWN ROLLER		
	FC5-4867-000		2	SPRING,FACE-UP ROLLER		
	FC5-4865-000		2	SPRING,FACE-DOWN ROLLER		

FIGURE 103  
INTERNAL COMPONENTS 3

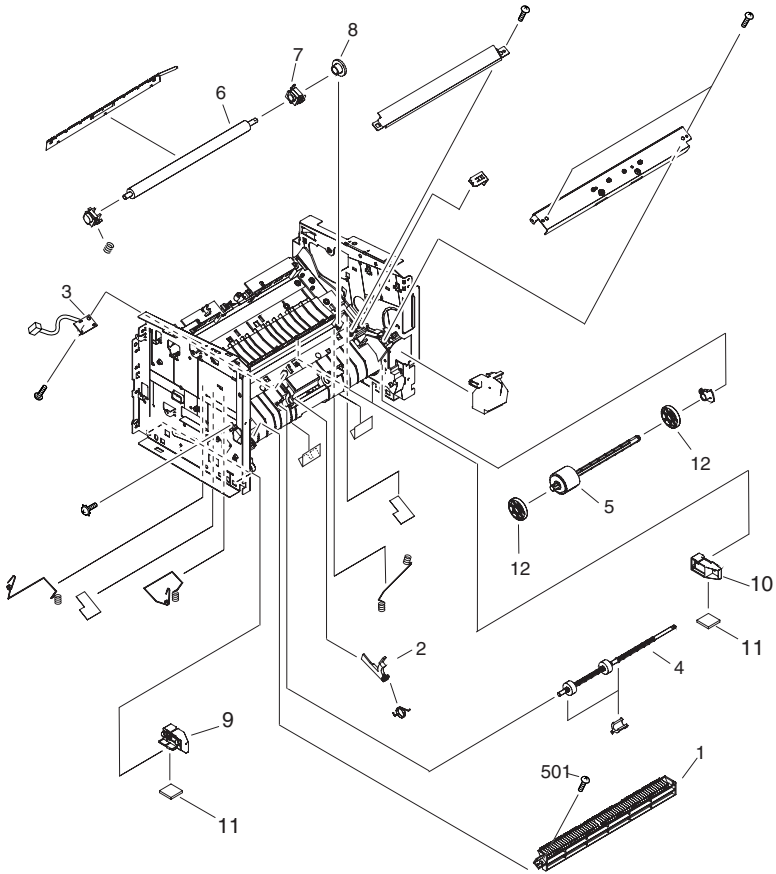


FIGURE & KEY NO.	PARTS NUMBER	R A N K	Q'TY	DESCRIPTION	SERIAL NUMBER/ REMARKS	S V C
Fig.103	NPN		RF	INTERNAL COMPONENTS 3		
1	FC5-4800-020		1	GUIDE, U TURN		
2	FC5-4799-000		1	FLAG, REGIST SENSOR		
3	FM5-5263-000		1	TOP SENSOR PCB UNIT	LBP3200	
3	FM5-5304-000		1	TOP SENSOR PCB UNIT	LBP3210	
4	FL2-1042-000		1	ROLLER, FEEDER		
5	FL2-1046-000		1	ROLLER, CASSETTE PICK-UP		
6	RC1-1776-000		1	ROLLER, TRANSFER		
7	FC5-4807-000		1	BUSHING,TRANSFER ROLLER,RIGHT		
8	FU5-0716-000		1	GEAR, 17T		
9	FC5-4929-000		1	RAIL,SIDE,LEFT		
10	FC5-4930-000		1	RAIL,SIDE,RIGHT		
11	FC5-4924-000		2	FOOT,RUBBER		
12	FC5-4920-000		2	COLLAR, PICK-UP		
501	XB4-7400-807		2	SCREW,TAPPING,TRUSS HEAD,M4X8		

FIGURE 104  
INTERNAL COMPONENTS 4

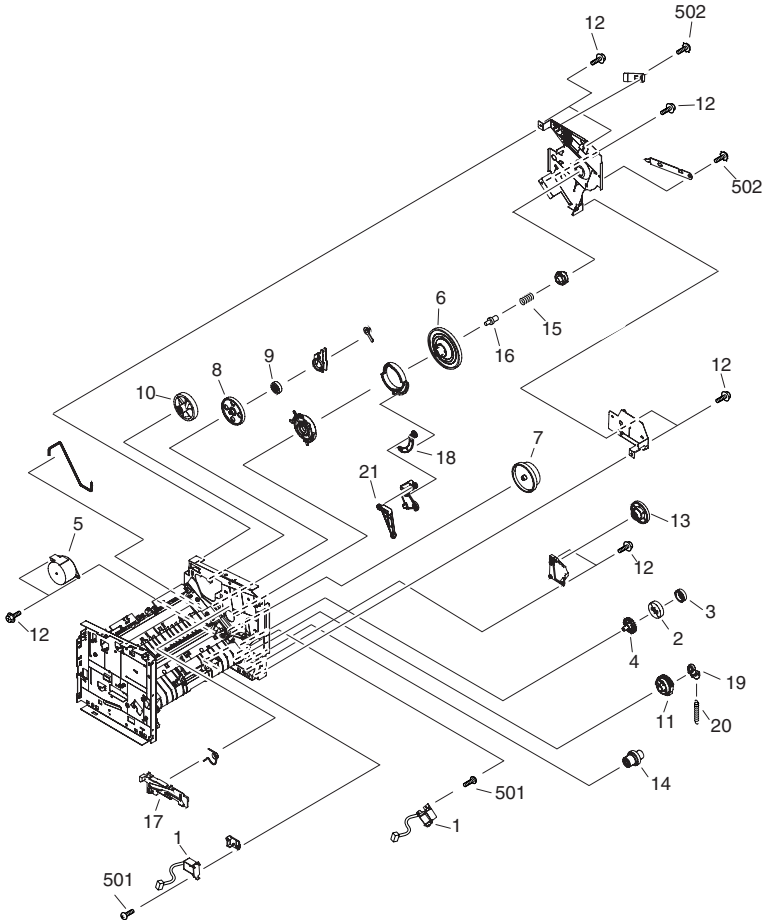


FIGURE & KEY NO.	PARTS NUMBER	RANK	Q'TY	DESCRIPTION	SERIAL NUMBER/REMARKS	SVC
Fig.104	NPN		RF	INTERNAL COMPONENTS 4		
1	FH6-5093-000		2	SOLENOID, PICK-UP	LBP3200	
1	FH6-5132-000		2	SOLENOID, PICK-UP	LBP3210	
2	FM2-1069-000		1	GEAR UNIT		
3	FU5-0707-000		1	GEAR, 51T		
4	FU5-0709-000		1	GEAR, 17T		
5	FH5-1130-000		1	MOTOR, MAIN	LBP3200	
5	FH5-1130-000		1	MOTOR, MAIN	LBP3210	
6	FU5-0700-000		1	GEAR, 163T		
7	FU5-0701-000		1	GEAR, 91T/115T		
8	FU5-0702-000		1	GEAR, 18T/107T		
9	FU5-0703-000		1	GEAR, 17T		
10	FU5-0704-000		1	GEAR, 55T		
11	FU5-0714-000		1	GEAR, 25T		
12	XA9-1386-000		9	SCREW,RS,M3X8		
13	FU5-0705-000		1	GEAR, 22T/86T		
14	FU5-0710-000		1	GEAR, 19T/35T		
15	FU5-2429-000		1	SPRING, DRUM CONTACT PIN		
16	FC5-4878-000		1	PIN, DRUM CONTACT		
501	XB4-7400-807		2	SCREW,TAPPING,TRUSS HEAD,M4X8		
502	XB2-7300-607		2	SCREW, W/WASHER, M3X6		
17	FC5-4874-000		1	GUIDE,CARTRIDGE		
18	FC5-4882-000		1	ARM,LINK		
19	FC5-4901-000		1	COLLAR,CST SPRING		
20	FU5-2431-000		1	SPRING,PICK UP		
21	FC5-4899-000		1	SHAFT,LINK		
	FC5-4900-000		1	LINK,GUIDE		
	FC5-4901-000		1	COLLAR,CST SPRING		



# FIGURE 105 INTERNAL COMPONENTS 5

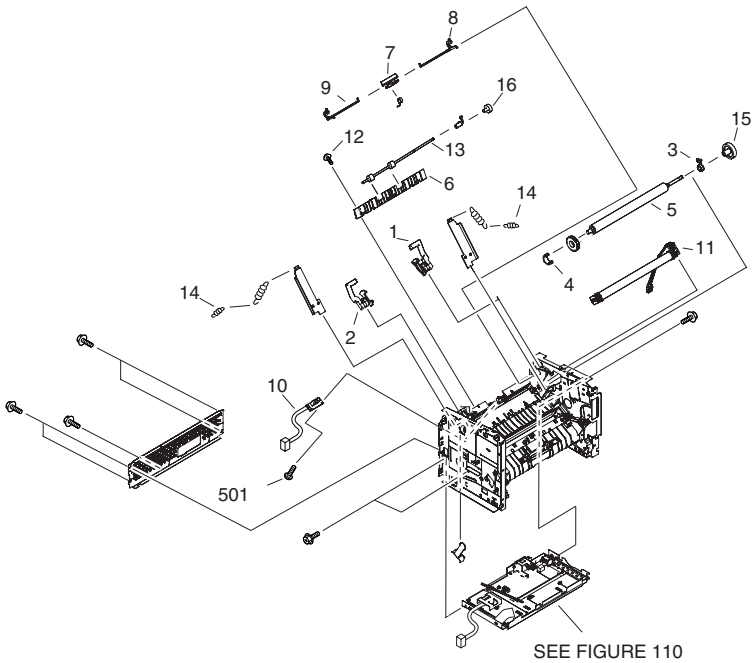


FIGURE & KEY NO.	PARTS NUMBER	R A N K	Q'TY	DESCRIPTION	SERIAL NUMBER/ REMARKS	S V C
Fig.105	NPN		RF	INTERNAL COMPONENTS (5)		
1	FC5-4827-000		1	LEVER, PRESSURE RELEASE, R		
2	FC5-4828-000		1	LEVER, PRESSURE RELEASE, L		
3	FC5-4829-000		1	BUSHING, PRESSURE ROLLER, R		
4	FC5-4830-000		1	BUSHING, PRESSURE ROLLER, L		
5	FC5-4871-000		1	ROLLER, PRESSURE		
6	FC5-4832-000		1	GUIDE, PAPER DELIVERY		
7	FC5-4834-000		1	FLAG, DELIVERY SENSOR		
8	FC5-4861-000		1	LEVER, PRSS. RELEASE DETECT,R		
9	FC5-4862-000		1	LEVER, PRSS. RELEASE DETECT,L		
10	FM5-5264-000		1	DELIVERY SENSOR PCB UNIT	LBP3200	
10	FM5-5305-000		1	DELIVERY SENSOR PCB UNIT	LBP3210	
11	FM2-6859-000		1	FILM UNIT	LBP3200 100V	
11	FM2-6860-000		1	FILM UNIT	LBP3200 120V	
11	FM2-6861-000		1	FILM UNIT	LBP3200 220V	
11	FM2-1063-000		1	FILM UNIT	LBP3210 100V	
12	XA9-1502-000		1	SCREW,W/WASHER,M4		
13	FL2-1044-000		1	ROLLER, FACE-UP		
14	FU5-2425-000		2	SPRING,PRESSURE GROUNDING		
15	FU5-0713-000		1	GEAR, 29T		
16	FU5-0698-000		1	GEAR, 17T		
501	XB4-7400-807		1	SCREW,TAPPING,TRUSS HEAD,M4X8		
	FC5-4773-000		1	PLATE,REAR		

# FIGURE 110 POWER CORD TERMINAL ASSEMBLY

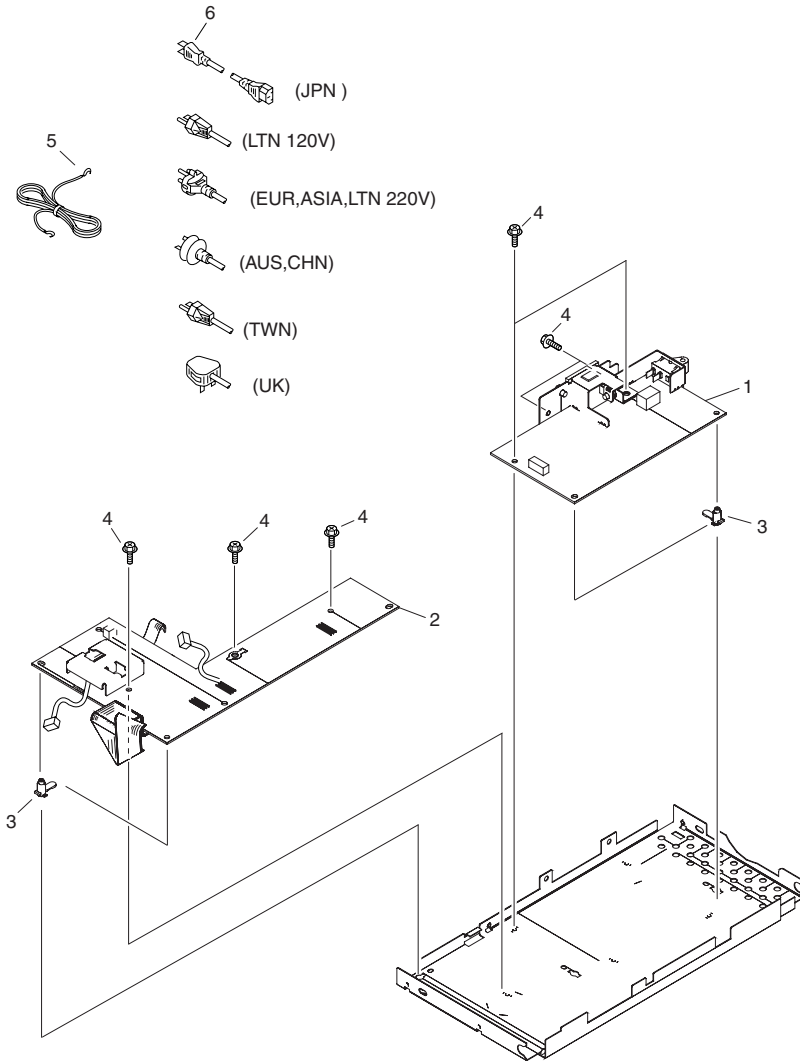


FIGURE & KEY NO.	PARTS NUMBER	R A N K	Q'TY	DESCRIPTION	SERIAL NUMBER/REMARKS	S V C
Fig.110	NPN		RF	POWER CORD TERMINAL ASSEMBLY		
1	FH3-2665-030		1	POWER, SUPPLY PCB UNIT	LBP3200 100V,120V	
1	FH3-2666-030		1	POWER, SUPPLY PCB UNIT	LBP3200 220V	
1	FH3-2687-000		1	POWER, SUPPLY PCB UNIT	LBP3210 100V	
2	FM5-5303-000		1	HIGH-VOLTAGE PCB UNIT	LBP3200	
2	FM5-5303-000		1	HIGH-VOLTAGE PCB UNIT	LBP3210	
3	FC5-4891-000		4	SPACER, PCB		
4	XA9-1386-000		7	SCREW, RS, M3X8		
5	FH2-7092-020		1	CORD, GROUNDING	JPN	
6	FM5-5296-000		1	CORD, POWER	AUS	
6	FM5-5294-000		1	CORD, POWER	CHN	
6	FM5-5292-000		1	CORD, POWER	EUR/ASIA/LTN 220V	
6	FM5-5272-000		1	CORD, POWER	JPN	
6	FM5-5295-000		1	CORD, POWER	LTN 120V	
6	FM5-5273-000		1	CORD, POWER	TWN	
6	FM5-5293-000		1	CORD, POWER	UK	
	FH2-7192-000		1	CABLE, USB	LBP3200 CHN	

# FIGURE 300 CASSETTE

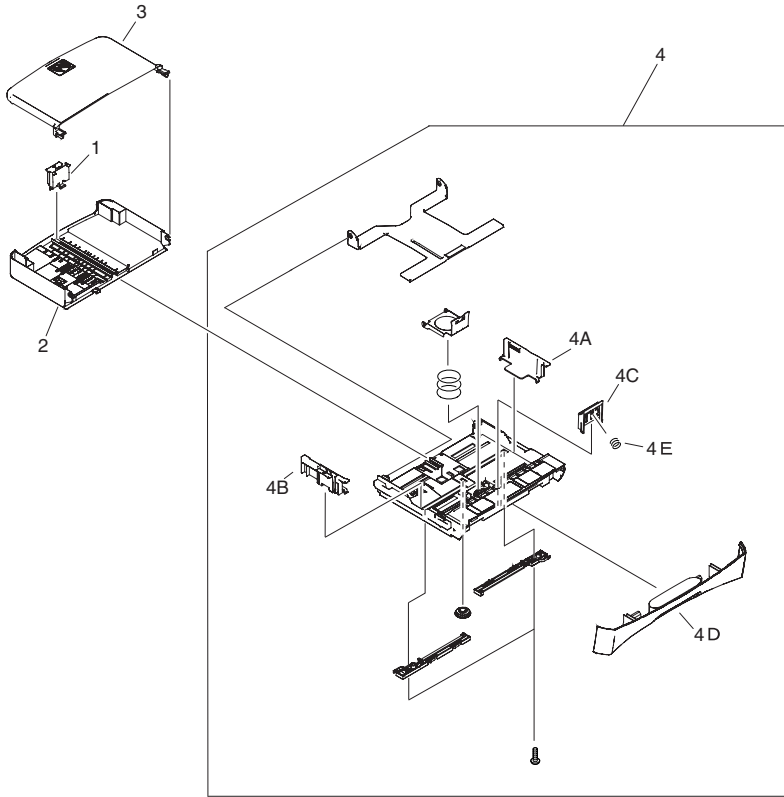


FIGURE & KEY NO.	PARTS NUMBER	RANK	Q'TY	DESCRIPTION	SERIAL NUMBER/REMARKS	SVC
Fig.300	NPN		RF	CASSETTE		
1	FC5-4908-040		1	PLATE, BACK END LIMIT		
2	FC5-4928-030		1	TRAY, CASSETTE EXTENSION	JPN,TWN,EUR/ASIA/ CHN/UK/AUS	
2	FC5-4933-000		1	TRAY, CASSETTE EXTENSION,LGL	LTN	
3	FC5-4931-020		1	COVER, CASSETTE, UPPER	LBP3200 JPN,TWN,EUR/ ASIA/CHN/UK/AUS	
3	FC5-4935-000		1	COVER, CASSETTE, UPPER,LGL	LBP3200 LTN	
3	FC5-7536-000		1	COVER, CASSETTE, UPPER	LBP3210 JPN	
4	FM2-1075-100		1	CASSETTE UNIT		
4A	FC5-4911-020		1	PLATE, SIDE LIMIT ,RIGHT		
4B	FC5-4913-020		1	PLATE, SIDE LIMIT, LEFT		
4C	FL2-1047-000		1	PAD, SEPARATION		
4D	FC5-4905-020		1	COVER,CST,FRONT		
4E	FU5-2434-000		1	SPRING,PAD		

Prepared by  
OIP HFE Promotion Center  
CANON INC.

**Canon**