

# **PARTS CATALOG**

**LBP3000/3000B/2900/2900i/  
2900B**

**Canon**

**Jan 24 2008**



## **PREFACE**

This Parts Catalog contains listings of parts used

Diagrams are provided with the listings to aid the service technician in identifying clearly, the item to be ordered.

Whenever ordering parts, consult this Parts Catalog for all of the information pertaining to each item. Be sure to include, in the Parts Request, the full item description, the item part number, and the quantity.

***COPYRIGHT (C) 1999 CANON INC.***

Use of this manual should be strictly supervised to avoid disclosure of confidential information.



# Contents

## NUMERICAL INDEX

LBP3000/3000B/2900/2900i/2900B(Numerical Index) ..... 1-1

## LBP3000/3000B/2900/2900i/2900B(Parts Catalog)

A	ASSEMBLY LOCATION DIAGRAM .....	2-1
001	DISK UNIT .....	2-2
100	EXTERNAL COVERS .....	2-4
101	INTERNAL COMPONENTS 1 .....	2-6
102	INTERNAL COMPONENTS 2 .....	2-9
103	INTERNAL COMPONENTS 3 .....	2-11
104	BASE PLATE ASS'Y .....	2-14
310	PAPER PICK-UP ASS'Y .....	2-16
810	FIXING ASS'Y .....	2-19



# NUMERICAL INDEX

## LBP3000/3000B/2900/2900i/2900B(Numerical Index)

PARTS NUMBER	FIGURE & KEY NO.	PARTS NUMBER	FIGURE & KEY NO.	PARTS NUMBER	FIGURE & KEY NO.
FC1-4820-000	100 - 6	RC1-2121-020	102 - 5	RL1-0905-000	100 - 2
NPN	001 -	RC1-2135-000	810 - 12	RL1-0908-000	100 - 5
NPN	100 -	RC1-2139-000	810 - 13	RL1-0909-000	100 - 5
NPN	101 -	RC1-3004-000	100 - 6	RM1-0171-000	102 - 6
NPN	102 -	RC1-5521-000	101 - 2	RM1-0634-000	103 - 12
NPN	103 -	RC1-5570-000	810 - 21	RM1-0640-000	104 - 5
NPN	104 -	RC1-5571-000	810 - 6	RM1-0641-000	310 -
RA0-1019-000	103 - 1	RC1-5875-000	100 - 8	RM1-0642-000	310 - 20
RA0-1060-000	101 - 9	RC1-6194-000	100 - 1	RM1-0644-000	310 - 21
RC1-1953-000	103 - 2	RC1-6199-000	100 - 9	RM1-0645-000	310 - 22
RC1-1954-000	103 - 3	RC1-6214-000	100 - 12	RM1-0647-020	101 - 5
RC1-1955-000	103 - 4	RC1-6215-000	100 - 7	RM1-0648-000	101 - 6
RC1-1956-000	103 - 5	RC1-6217-000	100 - 6	RM1-0650-040	810 - 15
RC1-1957-000	103 - 6	RC1-6218-000	100 - 1	RM1-0651-020	810 - 16
RC1-1959-000	103 - 7	RC1-6221-000	100 - 8	RM1-0656-040	810 - 15
RC1-1960-000	310 - 1	RC1-6223-000	103 - 10	RM1-0658-000	101 - 7
RC1-1964-000	103 - 8	RC1-6223-000	103 - 24	RM1-0660-000	810 -
RC1-1987-000	104 - 1	RC1-6979-000	101 - 19	RM1-0661-000	810 -
RC1-1989-000	310 - 2	RC1-6980-000	101 - 20	RM1-0806-050	102 - 7
RC1-1990-000	310 - 3	RH9-1015-000	101 - 12	RM1-0807-040	101 - 8
RC1-1993-000	310 - 4	RH9-1162-000	101 - 12	RM1-0808-040	101 - 8
RC1-1994-000	310 - 5	RH9-1163-000	101 - 13	RM1-0809-000	101 - 10
RC1-1996-000	310 - 6	RH9-1164-000	101 - 12	RM1-0810-000	101 - 11
RC1-1999-000	102 - 1	RH9-1166-000	101 - 12	RM1-2051-000	810 - 15
RC1-2005-000	101 - 2	RH9-1168-000	101 - 12	RM1-2052-020	810 - 15
RC1-2007-000	102 - 2	RH9-1168-000	101 - 12	RM1-2086-000	810 -
RC1-2012-000	310 - 7	RH9-1169-000	101 - 12	RM1-2087-010	810 -
RC1-2029-000	310 - 19	RH9-1170-000	101 - 12	RM1-2091-020	310 -
RC1-2039-000	310 - 8	RH9-1170-000	101 - 12	RM1-2092-000	810 - 16
RC1-2040-000	310 - 9	RH9-1170-000	101 - 12	RM1-2093-000	101 - 7
RC1-2041-000	310 - 10	RK2-0107-000	101 - 4	RM1-2312-000	101 - 10
RC1-2042-000	310 - 11	RK2-0108-000	310 - 16	RM1-2313-000	101 - 11
RC1-2043-000	310 - 12	RK2-0778-000	310 - 16	RM1-2314-000	102 - 7
RC1-2044-000	310 - 13	RK2-0799-000	101 - 4	RM1-2315-000	101 - 8
RC1-2049-000	310 - 14	RK2-1025-000	001 - 1	RM1-2316-000	101 - 8
RC1-2061-000	310 - 15	RK2-1026-000	001 - 1	RM1-2317-000	810 - 22
RC1-2066-000	810 - 1	RK2-1027-000	001 - 1	RM1-2391-000	100 - 4
RC1-2067-000	810 - 2	RK2-1136-000	001 - 1	RM1-2393-000	100 - 3
RC1-2069-000	810 - 3	RK2-1137-000	001 - 1	RM1-2395-000	104 - 3
RC1-2070-000	810 - 4	RK2-1258-000	001 - 1	RM1-2397-000	104 - 4
RC1-2079-000	810 - 5	RK2-1259-000	001 - 1	RM1-2399-000	100 - 3
RC1-2097-000	810 - 7	RK2-1260-000	001 - 1	RM1-2401-000	100 - 3
RC1-2098-000	810 - 8	RK2-1261-000	001 - 1	RM1-3125-000	103 - 25
RC1-2098-000	810 - 8	RK2-1262-000	001 - 1	RM1-3126-000	103 - 25
RC1-2101-000	810 - 9	RK2-1302-000	101 - 18	RM1-3956-000	102 - 6
RC1-2102-000	810 - 10	RK2-1848-000	001 - 1	RM1-4087-000	103 - 25
RC1-2103-000	810 - 11	RL1-0266-000	310 - 17	RM1-4087-000	103 - 25
RC1-2106-020	101 - 3	RL1-0268-000	310 - 18	RM1-4088-000	103 - 25
RC1-2108-000	810 - 6	RL1-0269-000	101 - 1	RM1-4088-000	103 - 25
RC1-2116-020	102 - 3	RL1-0270-000	810 - 14	RM1-4737-000	100 - 3
RC1-2117-000	103 - 9	RL1-0274-000	103 - 11	RM1-4738-000	100 - 3
RC1-2120-000	102 - 4	RL1-0275-000	104 - 2	RU5-0173-000	103 - 13

# NUMERICAL INDEX

## LBP3000/3000B/2900/2900i/2900B(Numerical Index)

PARTS NUMBER	FIGURE & KEY NO.	PARTS NUMBER	FIGURE & KEY NO.	PARTS NUMBER	FIGURE & KEY NO
RU5-0174-000	103 - 14				
RU5-0175-000	103 - 15				
RU5-0176-000	103 - 16				
RU5-0177-000	103 - 17				
RU5-0178-000	103 - 18				
RU5-0179-000	103 - 19				
RU5-0180-000	310 - 23				
RU5-0185-000	810 - 18				
RU5-0186-000	810 - 19				
RU5-2173-000	103 - 20				
RU5-2174-000	103 - 21				
RU5-2174-000	310 - 24				
RU5-2177-000	102 - 8				
RU5-2178-000	810 - 20				
VD7-1791-002	101 - FU101				
VD7-3111-002	101 - FU101				
XA9-1420-000	101 - 14				
XA9-1420-000	102 - 9				
XA9-1469-000	100 - 10				
XA9-1469-000	103 - 22				
XA9-1469-000	103 - 26				
XA9-1495-000	101 - 15				
XA9-1495-000	102 - 10				
XA9-1495-000	103 - 23				
XA9-1495-000	104 - 6				
XA9-1500-010	100 - 11				
XA9-1500-010	102 - 11				
XA9-1503-000	310 - 25				
XB2-6400-607	101 - 17				
XB2-8300-609	810 - 17				
XB4-5401-009	101 - 16				
XB4-5401-009	310 - 26				



# LBP3000/3000B/2900/2900i/ 2900B(Parts Catalog)

## LBP3000

100V	R72-8544-000	LLJA	
120V	R72-8554-000	JLHA	
220V	R72-8558-000	KMXA	EUR/UK/ASIA/AU
220V	R72-8558-000	LMCA000001-	ASIA
220V	R72-8558-000	LMDA000001-	GB
220V	R72-8558-000	LMEA000001-	AU
220V	R72-8568-000	KMYA	CN
100V	R72-8624-000	LPCA	
120V	R72-8634-000	LPDA	
220V EUR	R72-8638-000	LPEA	
220V ASIA	R72-8638-000	LPGA	
220V DE	R72-8638-000	LPHA	
220V AU	R72-8638-000	LPJA	
220V	R72-8648-000	LPFA000001-	CN

## LBP2900

220V	R72-8658-000	KMKA	EUR/UK/ASIA/AU
220V	R72-8658-000	LMLA000001-	GB 12
220V	R72-8658-000	LMMA000001-	ASIA 12
220V	R72-8658-000	LMNA000001-	AU 12
220V CN	R72-8668-000	LMPA	CN
220V	R72-8678-000	LPLA000001-	GB 12
220V	R72-8678-000	LPMA000001-	ASIA 12
220V	R72-8678-000	LPNA000001-	AU 12
220V CN	R72-8688-000	LPPA	CN

## LBP2900i

230V	R72-9048-000	LSFA000001-	
------	--------------	-------------	--

## LBP2900B

230V	R72-9388-000	LXLA	EUR
------	--------------	------	-----

## LBP3000B

100V	R72-9384-000	MABA	
------	--------------	------	--

# Contents

A	ASSEMBLY LOCATION DIAGRAM .....	2-1
001	DISK UNIT .....	2-2
100	EXTERNAL COVERS .....	2-4
101	INTERNAL COMPONENTS 1 .....	2-6
102	INTERNAL COMPONENTS 2 .....	2-9
103	INTERNAL COMPONENTS 3 .....	2-11
104	BASE PLATE ASS'Y .....	2-14
310	PAPER PICK-UP ASSY .....	2-16
810	FIXING ASS'Y .....	2-19



# FIGURE A ASSEMBLY LOCATION DIAGRAM

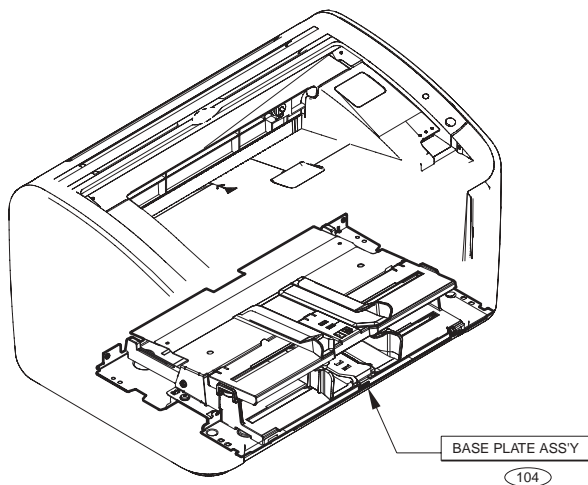
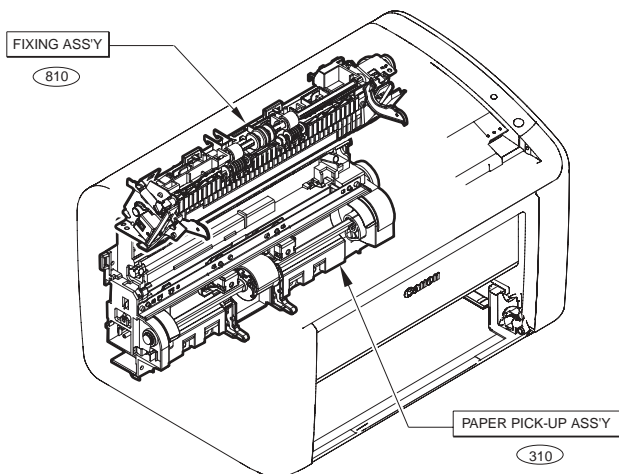


FIGURE 001  
DISK UNIT

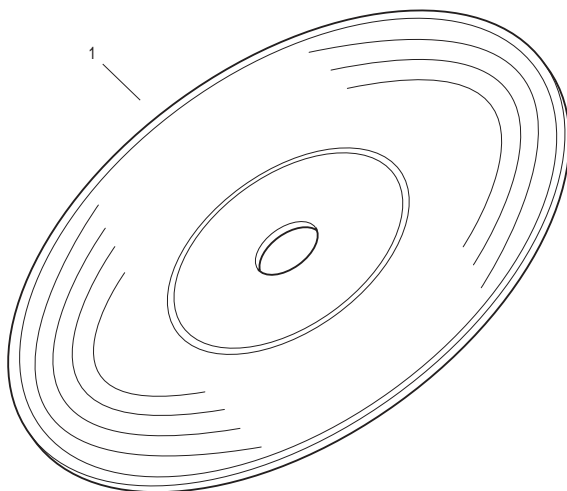


FIGURE & KEY NO.	PARTS NUMBER	RANK	Q'TY	DESCRIPTION	SERIAL NUMBER/REMARKS	SVC
Fig.001	NPN		RF	DISK UNIT		
1	RK2-1025-000		1	CD-ROM, USER SOFTWARE	LLJA	
1	RK2-1026-000		1	CD-ROM, USER SOFTWARE	JLHA,KMXA,LMCA,LMDA,LMEA	
1	RK2-1027-000		1	CD-ROM, USER SOFTWARE	KMYA,LMCA	
1	RK2-1136-000		1	CD-ROM, USER SOFTWARE	LMMA,LMPA	
1	RK2-1137-000		1	CD-ROM, USER SOFTWARE	KMKA,LMLA,LMMA,LMNA	
1	RK2-1258-000		1	CD-ROM, USER SOFTWARE	LPCA	
1	RK2-1259-000		1	CD-ROM, USER SOFTWARE	LPKA,LPLA,LPNA	
1	RK2-1260-000		1	CD-ROM, USER SOFTWARE	LPMA,LPPA	
1	RK2-1261-000		1	CD-ROM, USER SOFTWARE	LPEA,LPHA,LPJA	
1	RK2-1262-000		1	CD-ROM, USER SOFTWARE	LPDA,LPFA,LPGA	
1	RK2-1848-000		1	CD-ROM, USER SOFTWARE	LSFA,LPKA,LPLA	

# FIGURE 100 EXTERNAL COVERS

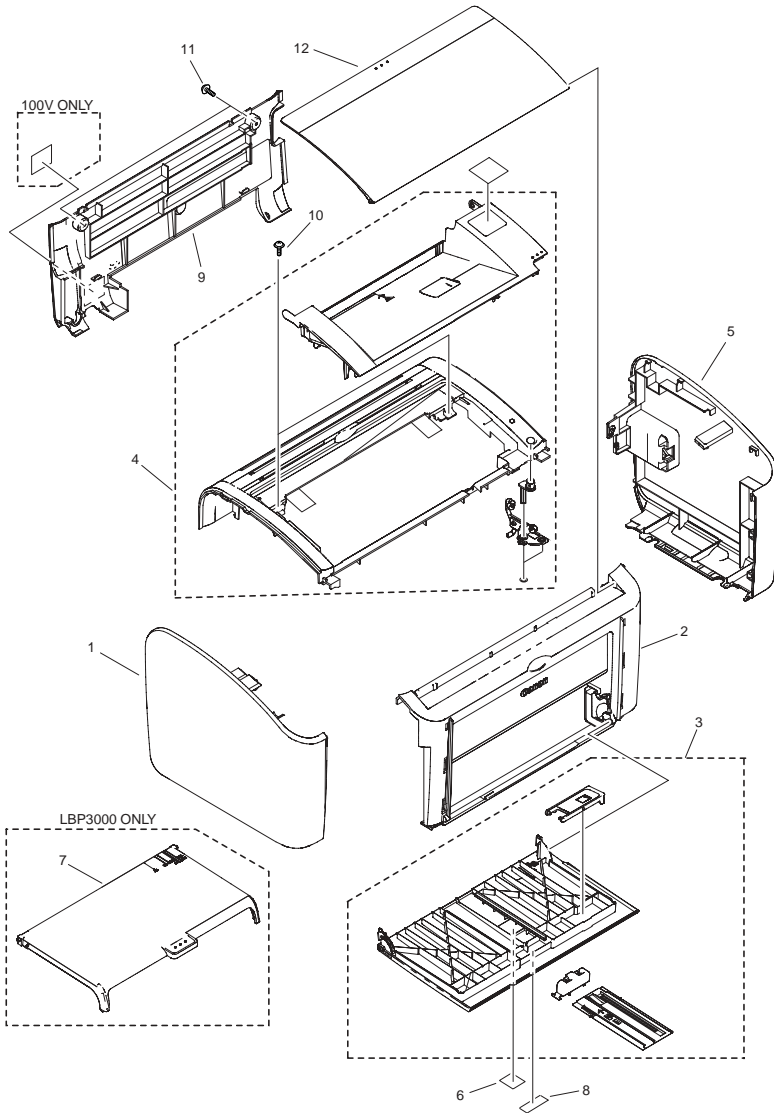




FIGURE & KEY NO.	PARTS NUMBER	R A N K	Q'TY	DESCRIPTION	SERIAL NUMBER/ REMARKS	S V C
Fig.100	NPN		RF	EXTERNAL COVERS		
1	RC1-6194-000		1	COVER, LEFT	EXCEPT LBP3000B/ 2900B	
1	RC1-6218-000		1	COVER, LEFT	LBP3000B/2900B	
2	RL1-0905-000		1	COVER, FRONT		
3	RM1-2399-000		1	PAPER PICK-UP TRAY ASS'Y	LBP2900	
3	RM1-4737-000		1	PAPER PICK-UP TRAY ASS'Y	LBP2900B	
3	RM1-2401-000		1	PAPER PICK-UP TRAY ASS'Y	LBP2900I	
3	RM1-2393-000		1	PAPER PICK-UP TRAY ASS'Y	LBP3000	
3	RM1-4738-000		1	PAPER PICK-UP TRAY ASS'Y	LBP3000B	
4	RM1-2391-000		1	FACE-DOWN COVER ASS'Y		
5	RL1-0908-000		1	RIGHT COVER ASS'Y	EXCEPT LBP3000B/ 2900B	
5	RL1-0909-000		1	RIGHT COVER ASS'Y	LBP3000B/2900B	
6	RC1-6217-000		1	EMBLEM, LASER SHOT	LASER SHOT MODELEXCEPT LBP2900B	
6	RC1-3004-000		1	EMBLEM, LASER SHOT	LASER SHOT MODELLBP2900B	
6	FC1-4820-000		1	EMBLEM, SATERA	SATERA MODEL	
7	RC1-6215-000		1	COVER, MULTI-PURPOSE, TRAY	LBP3000/LBP3000B	
8	RC1-6221-000		1	EMBLEM	EXCEPT LBP2900B	
8	RC1-5875-000		1	EMBLEM	LBP3000B/2900B	
9	RC1-6199-000		1	PANEL, REAR		
10	XA9-1469-000		2	SCREW, TP,M3X6		
11	XA9-1500-010		2	SCREW, S, M3X8		
12	RC1-6214-000		1	TRAY, PAPER DELIVERY		

# FIGURE 101 INTERNAL COMPONENTS 1

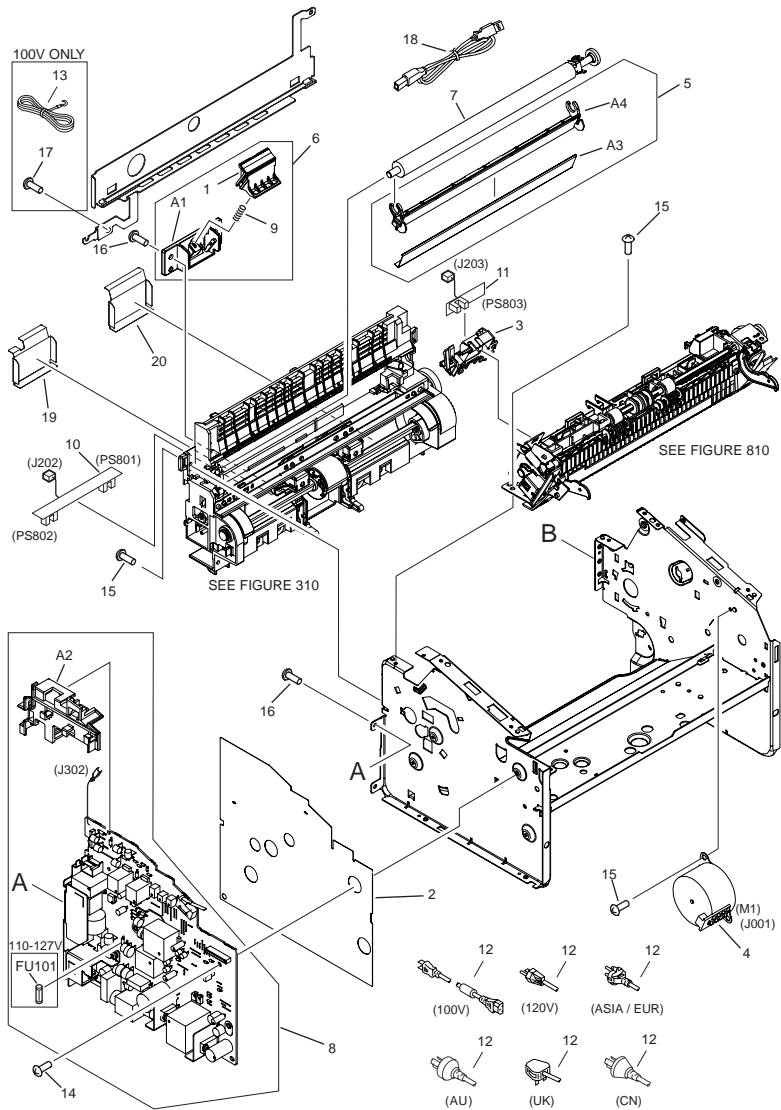


FIGURE & KEY NO.	PARTS NUMBER	R A N K	Q'TY	DESCRIPTION	SERIAL NUMBER/ REMARKS	S V C
Fig.101	NPN		RF	INTERNAL COMPONENTS 1		
1	RL1-0269-000		1	PAD, SEPARATION		
2	RC1-2005-000		1	SHEET, INSULATING	LLJA,JLHA,KMXA,LMCA, LMDA,LMEA,KMYA,KMK A,LMLA,LMMA,LMNA,LM PA	
2	RC1-5521-000		1	SHEET, INSULATING	LPCA,LPDA,LPEA,LPGA, LPHA,LPJA,LPFA,LPKA,L PLA,LPMA,LPNA,LPPA	
3	RC1-2106-020		1	GUIDE, AC CABLE		
4	RK2-0107-000		1	MOTOR, STEPPING, DC	LLJA,JLHA,KMXA,LMCA, LMDA,LMEA,KMYA,KMK A,LMLA,LMMA,LMNA,LM PA	
4	RK2-0799-000		1	MOTOR, STEPPING, DC	LPCA,LPDA,LPEA,LPGA, LPHA,LPJA,LPFA,LPKA,L PLA,LPMA,LPNA,LPPA	
5	RM1-0647-020		1	TRANSFER GUIDE ASS'Y		
6	RM1-0648-000		1	SEPARATION PAD ASS'Y		
7	RM1-0658-000		1	TRANSFER ROLLER ASS'Y	LLJA,JLHA,KMXA,LMCA, LMDA,LMEA,KMYA,KMK A,LMLA,LMMA,LMNA,LM PA	
7	RM1-2093-000		1	TRANSFER ROLLER ASS'Y	LPCA,LPDA,LPEA,LPGA, LPHA,LPJA,LPFA,LPKA,L PLA,LPMA,LPNA,LPPA	
8	RM1-0808-040		1	POWER SUPPLY ASS'Y	KMXA,LMCA,LMDA,LME A,KMYA,KMKA,LMLA,LM MA,LMNA,LMPA	
8	RM1-0807-040		1	POWER SUPPLY ASS'Y	LLJA,JLHA	
8	RM1-2315-000		1	POWER SUPPLY ASS'Y	LPCA,LPDA	
8	RM1-2316-000		1	POWER SUPPLY ASS'Y	LPEA,LPGA,LPHA,LPJA,L PFA,LPKA,LPLA,LPMA,L PNA,LPPA	
9	RA0-1060-000		1	SPRING, COMPRESSION		
10	RM1-0809-000		1	PAPER SENSOR PCB ASS'Y	LLJA,JLHA,KMXA,LMCA, LMDA,LMEA,KMYA,KMK A,LMLA,LMMA,LMNA,LM PA	
10	RM1-2312-000		1	PAPER SENSOR PCB ASS'Y	LPCA,LPDA,LPEA,LPGA, LPHA,LPJA,LPFA,LPKA,L PLA,LPMA,LPNA,LPPA	

FIGURE & KEY NO.	PARTS NUMBER	R A N K	Q'TY	DESCRIPTION	SERIAL NUMBER/ REMARKS	S V C
11	RM1-0810-000		1	DELIVERY SENSOR PCB ASS'Y	LLJA, JLHA, KMXA, LMCA, LMDA, LMEA, KMYA, KMK A, LMLA, LMMMA, LMNA, LMPA	
11	RM1-2313-000		1	DELIVERY SENSOR PCB ASS'Y	LPCA, LPDA, LPEA, LPGA, LPHA, LPJA, LPFA, LPKA, LPLA, LPMA, LPNA, LPPA	
12	RH9-1164-000		1	POWER CORD	JLHA	
12	RH9-1170-000		1	POWER CORD	KMXA, LMCA, KMK A, LMM A	
12	RH9-1166-000		1	POWER CORD	KMYA, LMPA	
12	RH9-1015-000		1	POWER CORD, 100V	LLJA	
12	RH9-1168-000		1	POWER CORD	LMDA, LMLA	
12	RH9-1169-000		1	POWER CORD	LMEA, LMNA	
12	RH9-1162-000		1	POWER CORD, 100V	LPCA	
12	RH9-1170-000		1	POWER CORD	LPEA, LPGA, LPKA	
12	RH9-1168-000		1	POWER CORD	LPHA, LPLA	
12	RH9-1170-000		1	CORD, POWER, 230V	LSFA, LPKA	
13	RH9-1163-000		1	WIRE, GROUNDING	100V	
14	XA9-1420-000		4	SCREW, WWASHER, M3X8		
15	XA9-1495-000		12	SCREW, RS, M3X6		
16	XB4-5401-009		2	SCREW, TAP, M4X10		
17	XB2-6400-607		1	SCREW, WWASHER, M4X6 (S)	100V	
18	RK2-1302-000		1	CABLE, USB	LPFA, LPGA, LPMA, LPPA	
19	RC1-6979-000		1	SHEET, BLANKING, L		
20	RC1-6980-000		1	SHEET, BLANKING, R		
FU101	VD7-1791-002	N	1	FUSE, 125V, 10A	LLJA, JLHA	
FU101	VD7-3111-002		1	FUSE, 125V, 10A	LPCA, LPDA	

FIGURE 102  
INTERNAL COMPONENTS 2

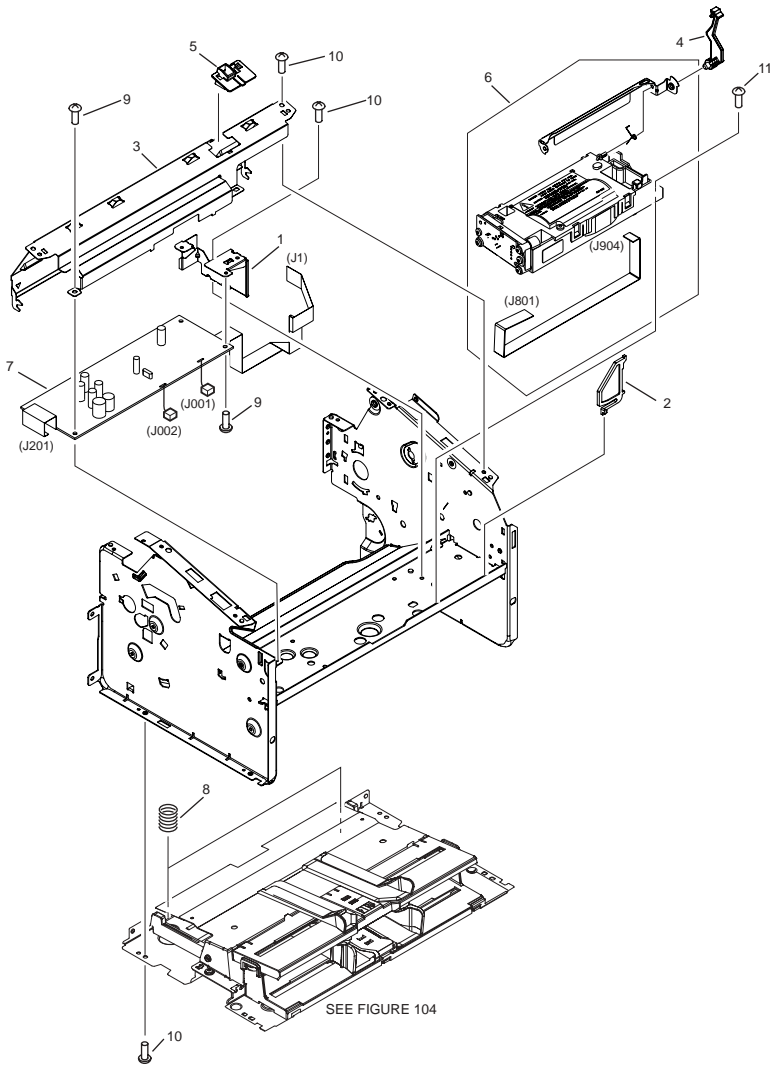


FIGURE & KEY NO.	PARTS NUMBER	RANK	Q'TY	DESCRIPTION	SERIAL NUMBER/REMARKS	SVC
Fig.102	NPN		RF	INTERNAL COMPONENTS 2		
1	RC1-1999-000	N	1	CROSSMEMBER, ENGINE CONTROLLER		
2	RC1-2007-000		1	GUIDE, FLEXIBLE FLAT CABLE		
3	RC1-2116-020		1	COVER, SCANNER		
4	RC1-2120-000		1	ARM, SHUTTER		
5	RC1-2121-020		1	HOLDER, ARM		
6	RM1-0171-000		1	LASER SCANNER ASS'Y	LLJA,JLHA,KMXA,LMCA, LMDA,LMEA,KMYA,KMK A,LMLA,LMMMA,LMNA,LM PA	
6	RM1-3956-000		1	LASER SCANNER ASS'Y	LPCA,LPDA,LPEA,LPGA, LPHA,LPJA,LPFA,LPKA,L PLA,LPMA,LPNA,LPPA	
7	RM1-0806-050		1	ENGINE CONTROL PCB ASS'Y	LLJA,JLHA,KMXA,LMCA, LMDA,LMEA,KMYA,KMK A,LMLA,LMMMA,LMNA,LM PA	
7	RM1-2314-000		1	ENGINE CONTROL PCB ASS'Y	LPCA,LPDA,LPEA,LPGA, LPHA,LPJA,LPFA,LPKA,L PLA,LPMA,LPNA,LPPA	
8	RU5-2177-000		2	SPRING, COMPRESSION		
9	XA9-1420-000		3	SCREW, W/WASHER, M3X8		
10	XA9-1495-000		8	SCREW, RS, M3X6		
11	XA9-1500-010		4	SCREW, S, M3X8		

FIGURE 103  
INTERNAL COMPONENTS 3

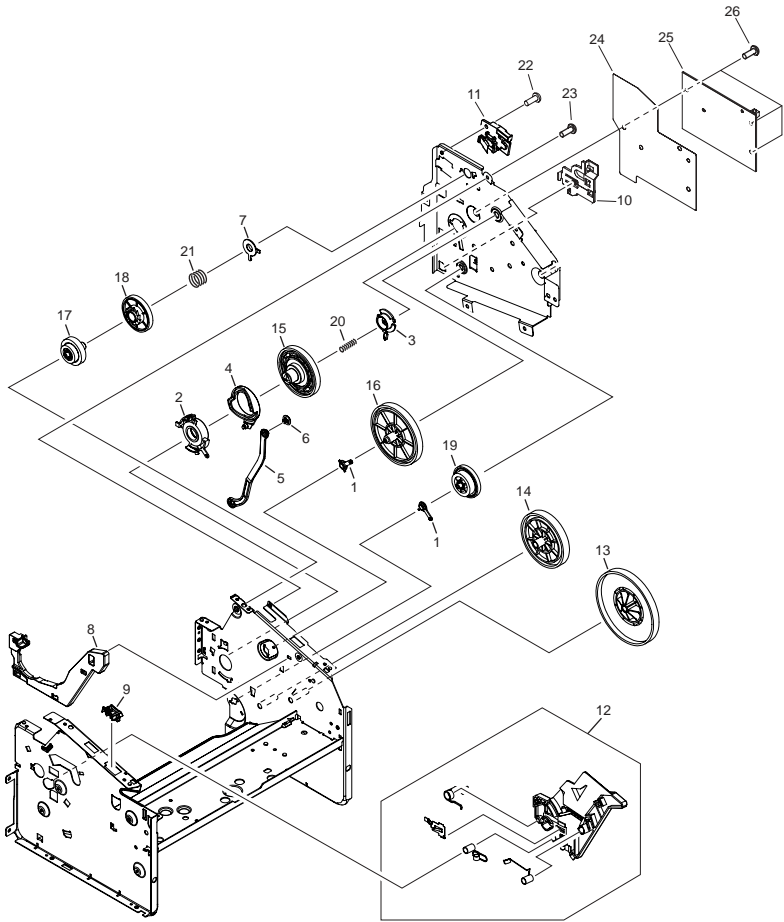


FIGURE & KEY NO.	PARTS NUMBER	R A N K	Q'TY	DESCRIPTION	SERIAL NUMBER/ REMARKS	S V C
Fig.103	NPN		RF	INTERNAL COMPONENTS 3		
1	RA0-1019-000		2	BUSHING		
2	RC1-1953-000		1	BUSHING		
3	RC1-1954-000		1	BUSHING		
4	RC1-1955-000		1	CAM, COUPLING		
5	RC1-1956-000		1	LINK, DOOR		
6	RC1-1957-000		1	STOPPER		
7	RC1-1959-000		1	BUSHING		
8	RC1-1964-000		1	GUIDE, CARTRIDGE, RIGHT		
9	RC1-2117-000		1	COVER, SWITCH		
10	RC1-6223-000		1	SHEET, INSULATING		
11	RL1-0274-000		1	HOLDER, DIODE		
12	RM1-0634-000		1	CARTRIDGE GUIDE LEFT ASS'Y		
13	RU5-0173-000		1	GEAR, 159T/90T		
14	RU5-0174-000		1	GEAR, 117T		
15	RU5-0175-000		1	GEAR, 108T		
16	RU5-0176-000		1	GEAR, 129T		
17	RU5-0177-000		1	GEAR, 27T/18T		
18	RU5-0178-000		1	GEAR, 73T		
19	RU5-0179-000		1	GEAR, 66T/25T		
20	RU5-2173-000		1	SPRING, COMPRESSION		
21	RU5-2174-000		1	SPRING, COMPRESSION		
22	XA9-1469-000		1	SCREW, TP, M3X6		
23	XA9-1495-000		6	SCREW, RS, M3X6		
24	RC1-6223-000		1	SHEET, INSULATING		
25	RM1-4087-000		1	VIDEO CONTROLLER PCB ASS'Y	LLJA, JLHA, KMXA, LMCA, LMDA, LMEA	
25	RM1-4088-000		1	VIDEO CONTROLLER PCB ASS'Y	KMYA	
25	RM1-3125-000		1	VIDEO CONTROLLER PCB ASS'Y	LBP2900 EXCEPT CN	
25	RM1-3126-000		1	VIDEO CONTROLLER PCB ASS'Y	LBP2900 CN	
25	RM1-4087-000		1	VIDEO CONTROLLER PCB ASS'Y	LPCA, LPDA, LPEA, LPGA, LPHA, LPJA	
25	RM1-4088-000		1	VIDEO CONTROLLER PCB ASS'Y	LPFA	



FIGURE & KEY NO.	PARTS NUMBER	R A N K	Q'TY	DESCRIPTION	SERIAL NUMBER/ REMARKS	S V C
26	XA9-1469-000		3	SCREW, TP,M3X6		

FIGURE 104  
BASE PLATE ASS'Y

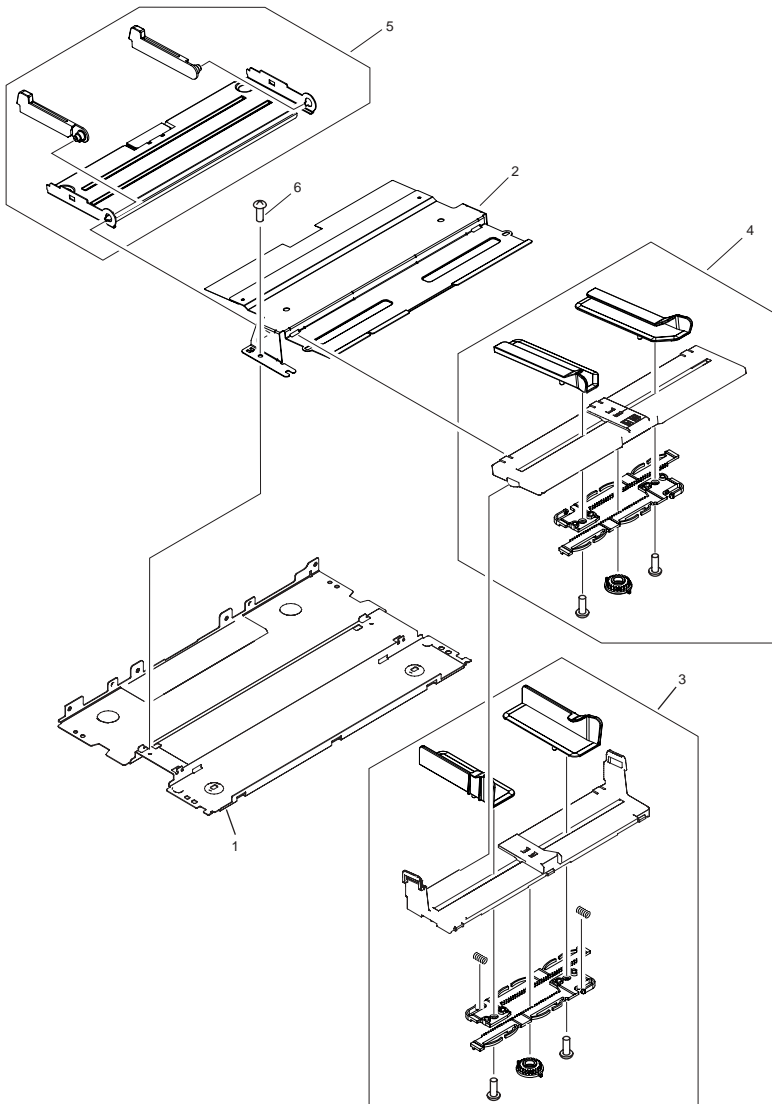


FIGURE & KEY NO.	PARTS NUMBER	RANK	Q'TY	DESCRIPTION	SERIAL NUMBER/REMARKS	SVC
Fig.104	NPN		RF	BASE PLATE ASS'Y		
1	RC1-1987-000		1	BASE PLATE		
2	RL1-0275-000		1	PLATE, FEED GUIDE		
3	RM1-2395-000		1	CENTERPLATE GUIDE RAIL ASS'Y		
4	RM1-2397-000		1	FEED GUIDE RAIL ASS'Y		
5	RM1-0640-000		1	LIFTING PLATE ASS'Y		
6	XA9-1495-000		2	SCREW, RS, M3X6		

# FIGURE 310 PAPER PICK-UP ASS'Y

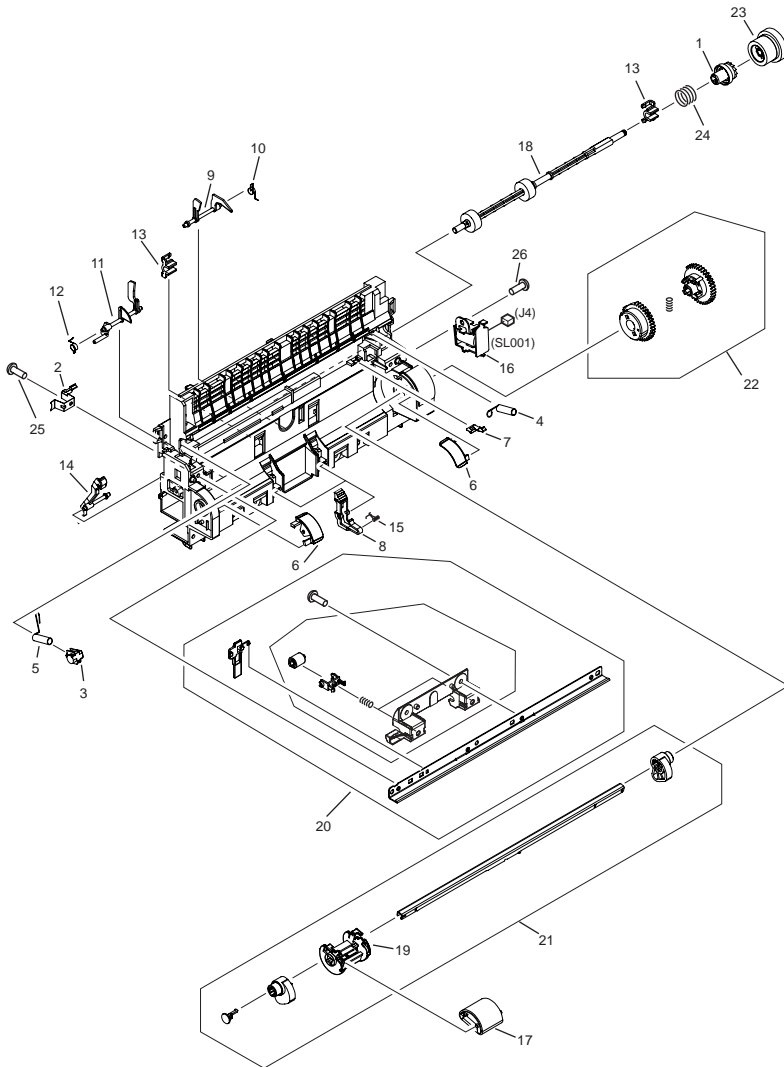


FIGURE & KEY NO.	PARTS NUMBER	RANK	Q'TY	DESCRIPTION	SERIAL NUMBER/REMARKS	SVC
Fig.310	RM1-0641-000		1	PAPER PICK-UP ASS'Y	LLJA,JLHA,KMXA,LMCA,LMDA,LMEA,KMYA,KMK A,LMLA,LMMA,LMNA,LM PA	
Fig.310	RM1-2091-020		1	PAPER PICK-UP ASS'Y	LPCA,LPDA,LPEA,LPGA,LPHA,LPJA,LPFA,LPKA,L PLA,LPMA,LPNA,LPPA	
1	RC1-1960-000		1	RATCHET		
2	RC1-1989-000		1	PLATE,TRANSFER GROUNDING,FRONT		
3	RC1-1990-000		1	BUSHING		
4	RC1-1993-000		1	SPRING, TORSION		
5	RC1-1994-000		1	SPRING, TORSION		
6	RC1-1996-000		2	COVER, PICK-UP CAM	LLJA,JLHA,KMXA,LMCA,LMDA,LMEA,KMYA,KMK A,LMLA,LMMA,LMNA,LM PA	
7	RC1-2012-000		1	SPRING, LEAF		
8	RC1-2039-000		2	PAD, SUB		
9	RC1-2040-000		1	FLAG, REGIST. SENSOR		
10	RC1-2041-000		1	SPRING, TORSION		
11	RC1-2042-000		1	FLAG, PAPER WIDTH SENSOR		
12	RC1-2043-000		1	SPRING, TORSION		
13	RC1-2044-000		2	BUSHING		
14	RC1-2049-000		1	LEVER, CARTRIDGE DETECT		
15	RC1-2061-000		2	SPRING, TORSION		
16	RK2-0108-000		1	SOLENOID	LLJA,JLHA,KMXA,LMCA,LMDA,LMEA,KMYA,KMK A,LMLA,LMMA,LMNA,LM PA	
16	RK2-0778-000		1	SOLENOID	LPCA,LPDA,LPEA,LPGA,LPHA,LPJA,LPFA,LPKA,L PLA,LPMA,LPNA,LPPA	
17	RL1-0266-000		1	ROLLER, PICK-UP		
18	RL1-0268-000		1	ROLLER, FEED		
19	RC1-2029-000		1	BASE, PICK-UP ROLLER		
20	RM1-0642-000		1	FEED CROSSMEMBER ASS'Y		
21	RM1-0644-000		1	PAPER PICK-UP SHAFT ASS'Y		
22	RM1-0645-000		1	PAPER PICK-UP GEAR ASS'Y		

FIGURE & KEY NO.	PARTS NUMBER	RANK	Q'TY	DESCRIPTION	SERIAL NUMBER/REMARKS	SVC
23	RU5-0180-000		1	GEAR, 21T/29T		
24	RU5-2174-000		1	SPRING, COMPRESSION		
25	XA9-1503-000		2	SCREW, TAP, M3X6		
26	XB4-5401-009		1	SCREW, TAP, M4X10		

FIGURE 810  
FIXING ASS'Y

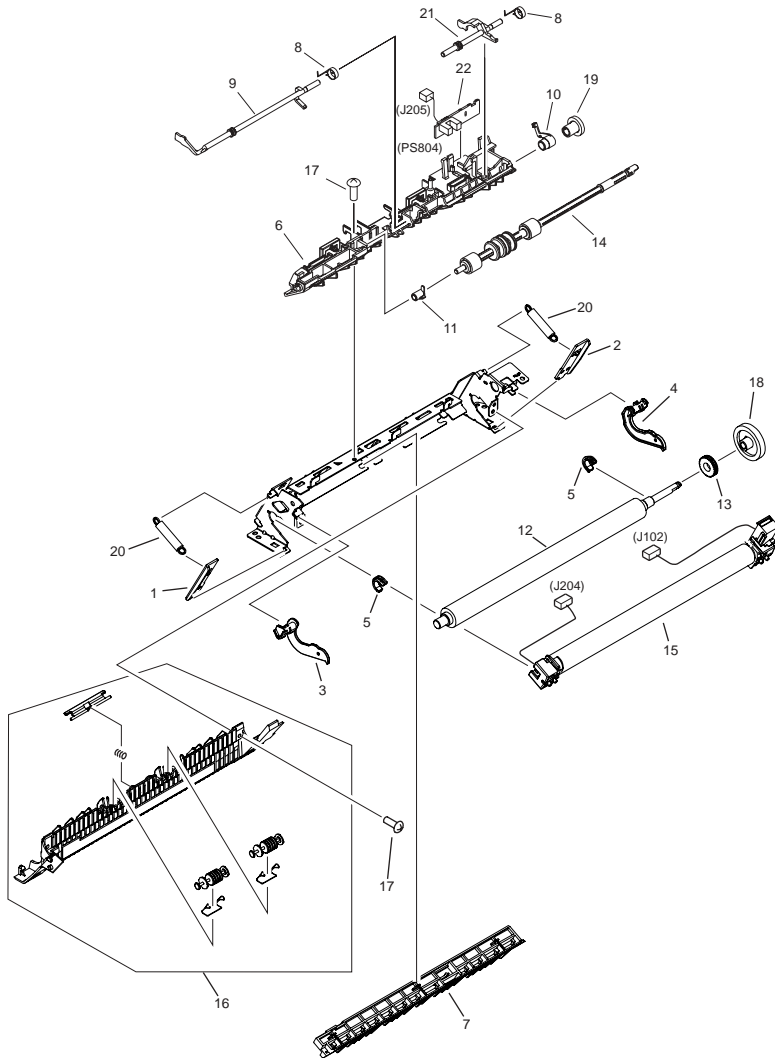


FIGURE & KEY NO.	PARTS NUMBER	R A N K	Q'TY	DESCRIPTION	SERIAL NUMBER/ REMARKS	S V C
Fig.810	RM1-0661-000		1	FIXING ASS'Y	KMXA,LMCA,LMDA,LMEA,KMYA,KMKA,LMMA,LM LA,LMNA,LMPA	
Fig.810	RM1-0660-000		1	FIXING ASS'Y	LLJA,JLHA	
Fig.810	RM1-2086-000		1	FIXING ASS'Y	LPEA,LPGA,LPHA,LPJA,L PFA,LPKA,LPLA,LPMA,L PNA,LPPA,LPCA,LPDA	
Fig.810	RM1-2087-010		1	FIXING ASS'Y	LPEA,LPGA,LPHA,LPJA,L PFA,LPKA,LPLA,LPMA,L PNA,LPPA	
1	RC1-2066-000		1	PLATE, PRESSURE, LEFT		
2	RC1-2067-000		1	PLATE, PRESSURE, RIGHT		
3	RC1-2069-000		1	LEVER, PRESSURE RELEASE, LEFT		
4	RC1-2070-000		1	LEVER, PRESSURE RELEASE, RIGHT		
5	RC1-2079-000		2	BUSHING		
6	RC1-2108-000		1	GUIDE, SEPARATION	LLJA,JLHA,KMXA,LMCA, LMDA,LMEA,KMYA,KM K A,LMLA,LMMA,LMNA,LM PA	
6	RC1-5571-000		1	GUIDE, SEPARATION	LPCA,LPDA,LPEA,LPGA, LPHA,LPJA,LPFA,LPKA,L PLA,LPMA,LPNA,LPPA	
7	RC1-2097-000		1	GUIDE, ENTRANCE		
8	RC1-2098-000		2	SPRING, TORSION	LPCA,LPDA,LPEA,LPGA, LPHA,LPJA,LPFA,LPKA,L PLA,LPMA,LPNA,LPPA	
8	RC1-2098-000		1	SPRING, TORSION	LLJA,JLHA,KMXA,LMCA, LMDA,LMEA,KMYA,KM K A,LMKA,LMMA,LMNA,LM PA	
9	RC1-2101-000		1	LEVER, DELIVERY SENSOR		
10	RC1-2102-000		1	BUSHING		
11	RC1-2103-000		1	BUSHING		
12	RC1-2135-000		1	ROLLER, PRESSURE		
13	RC1-2139-000		1	BUSHING		
14	RL1-0270-000		1	ROLLER, FACE-DOWN		
15	RM1-0650-040		1	FIXING FILM ASS'Y	LLJA,JLHA	
15	RM1-0656-040		1	FIXING FILM ASS'Y	KMXA,LMCA,LMDA,LMEA,KMYA,KMKA,LMMA,LMNA,LMPA	
15	RM1-2051-000		1	FIXING FILM ASS'Y	LPCA,LPDA	



FIGURE & KEY NO.	PARTS NUMBER	R A N K	Q'TY	DESCRIPTION	SERIAL NUMBER/ REMARKS	S V C
15	RM1-2052-020		1	FIXING FILM ASS'Y	LPEA,LPGA,LPHA,LPJA,L PFA,LPKA,LPLA,LPMA,L PNA,LPPA	
16	RM1-0651-020		1	FIXING COVER ASS'Y		
16	RM1-2092-000		1	FIXING COVER ASS'Y	LPCA,LPDA,LPEA,LPGA, LPHA,LPJA,LPFA,LPKA,L PLA,LPMA,LPNA,LPPA	
17	XB2-8300-609		3	SCREW, RS, M3X		
18	RU5-0185-000		1	GEAR, 29T		
19	RU5-0186-000		1	GEAR, 14T		
20	RU5-2178-000		2	SPRING, TENSION		
21	RC1-5570-000		1	FLAG, PAPER WIDTH SENSOR	LPCA,LPDA,LPEA,LPGA, LPHA,LPJA,LPFA,LPKA,L PLA,LPMA,LPNA,LPPA	
22	RM1-2317-000		1	SENSOR PCB ASS'Y	LPCA,LPDA,LPEA,LPGA, LPHA,LPJA,LPFA,LPKA,L PLA,LPMA,LPNA,LPPA	



Prepared by  
OIP HFE Promotion Center  
CANON INC.

**Canon**